



**INSTALLATION INSTRUCTIONS**

**2005-2007 Nissan Pathfinder/Frontier**

**Part # 45-2060, 40-2065**

**PART LIST**

1	Grille Guard
2	Lower Bracket (Passenger and Driver Side)
2	Upper Braces (Passenger and Driver Side)
6	M12 * 40 Hex Head Bolt, Stainless Steel
12	M12 Flat Washer, Stainless Steel
6	M12 Lock Washer, Stainless Steel
6	M12 Hex Nut, Stainless Steel
2	M8 * 30 Hex Head Bolt, Stainless Steel
4	M8 Flat Washer, Stainless Steel
2	M8 Lock Washer, Stainless Steel
2	M8 Hex Nut, Stainless Steel
2	3/8 * 1 Hex Head Bolt, Yellow Zinc
2	3/8 Flat Washer, Yellow Zinc
2	3/8 Lock Washer, Yellow Zinc
4	M12 * 30 Hex Head Bolt, Yellow Zinc
4	M12 Flat Washer, Yellow Zinc
4	M12 Lock Washer, Yellow Zinc
2	3/8 Nut Plate

**Note:** Westin Automotive advises the installer to use a thread lubricant on all of the stainless steel fasteners.

1. Remove the contents from the box and check for damage. Verify parts are present. Read instructions completely before beginning.
2. Remove lower air dam by removing six bolts from the bottom of the bumper, save the bolts for re-installation.
3. Determine passenger and drivers side bottom brackets. Install bottom brackets with the yellow zinc M12 Hex Head Bolts, Flat Washers, and Lock Washers (see figure 1). NOTE: If the vehicle is equipped with optional tow hooks, they must be removed and will not be reinstalled.
4. Through opening in the front bumper, locate the cross brace in front of the radiator. The cross brace will have a hole on the passenger and drivers side (see figures 2 and 3). Slide nut plate behind cross brace on the passenger side and align with the hole in the cross brace. Start the yellow zinc 3/8" Hex Head Bolt, Lock Washer, and Flat Washer through the hole in the cross brace. Hand tighten the bolt to hold the top brace in place. Repeat for the driver's side.
5. Reattach the air dam. NOTE: It may be necessary to trim the air dam to fit around the bottom brackets.
6. Line up the three holes in the lower portion of the grille guard with the holes in the bottom brackets. Attach grille guard using the Stainless Steel M12 Hex Head Bolts, Flat Washers, Lock Washers, and Hex Nuts. Attach the top bracket to the grille guard with the Stainless Steel M8 Hardware. Align and center the grille guard with the vehicle, tighten all hardware.

Figure 1 Drivers Side Shown

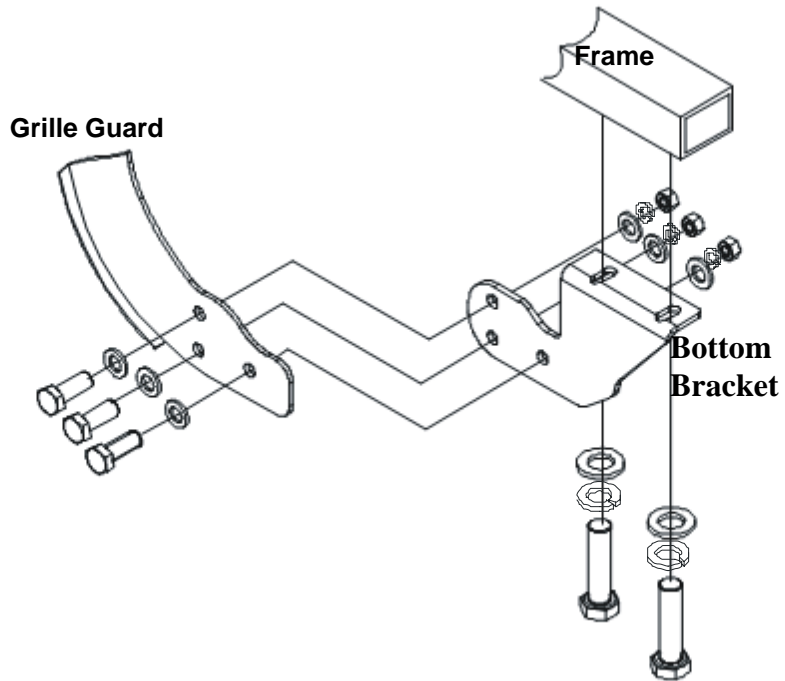
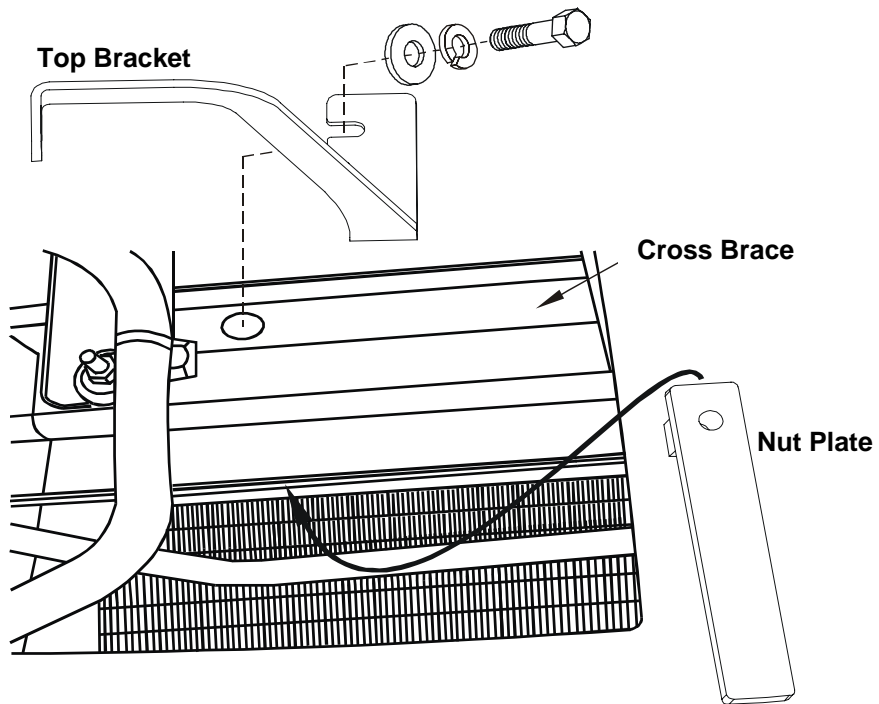
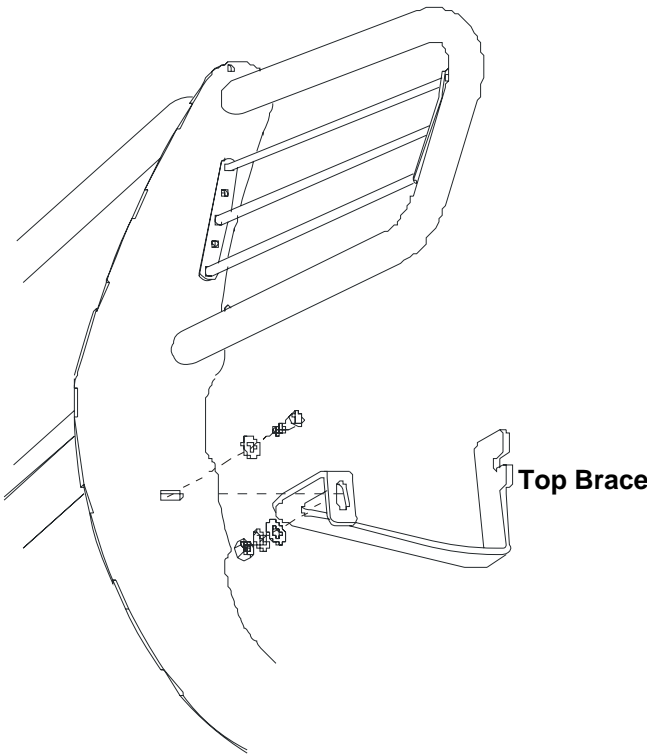


Figure 2 Passenger Side Shown



**Figure 3 Driver Side Shown**



Westin Automotive Products, Inc.  
5200 N. Irwindale Ave. Suite 220  
Irwindale, Ca. 91706

Thank You for choosing Westin products  
For additional installation assistance please call  
Customer service (800) 793-7846 or (507) 375-3559