

INSTALLATION INSTRUCTIONS

GAS TANK SKID PLATE



APPLICATION:

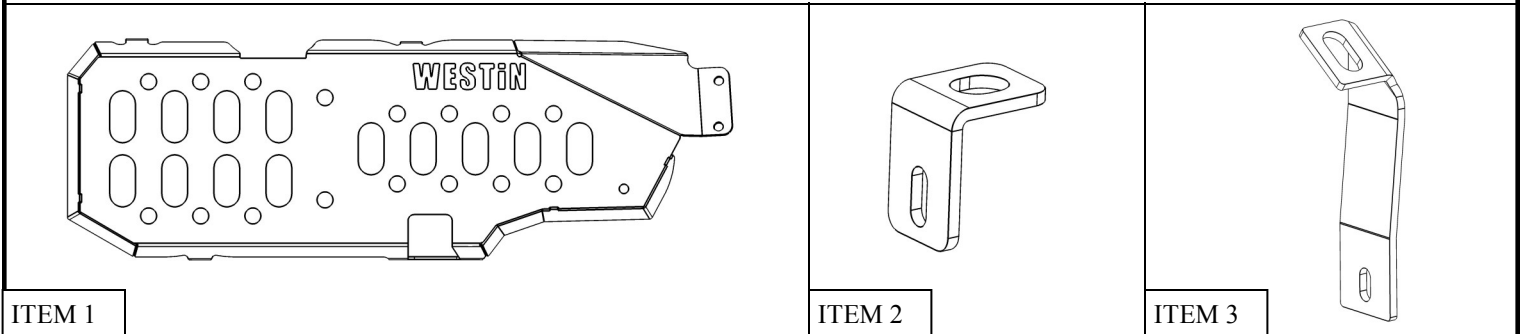
Jeep Wrangler JK 2 Door 2007-2018

PART NUMBER:

42-21005

CONTENT			
ITEM	QUANTITY	DESCRIPTION	TOOLS NEEDED
1	1	SKID PLATE	16MM SOCKET
2	1	BRACKET 1	13MM SOCKET
3	1	BRACKET 2	13MM WRENCH
4	1	BRACKET 3	RATCHET
5	1	BRACKET 4	TORQUE WRENCH
6	5	M8 PLASTIC RETAINER SQUARE	
7	5	M8 SPLIT LOCK WASHER	
8	5	M8 FLAT WASHER	
9	5	M8 HEX NUT	
10	5	M8 CARRIAGE BOLT	

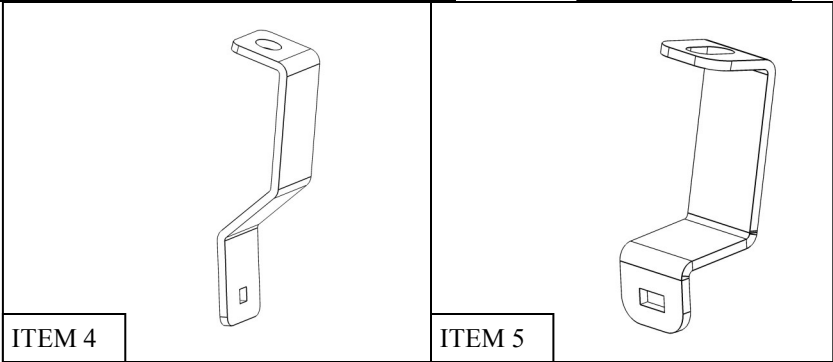
ANTI-SEIZE LUBRICANT MUST BE USED ON ALL STAINLESS STEEL FASTENERS TO PREVENT THREAD DAMAGE AND GALLING



ITEM 1

ITEM 2

ITEM 3



ITEM 4

ITEM 5



Westin Automotive Products, Inc.
320 W. Covina Blvd
San Dimas, Ca. 91773

Thank you for choosing Westin products
for additional installation assistance please call
Customer Service (800) 793-7846

www.westinautomotive.com

WARNING: GAS TANK IS MOUNTED BY BOLTS USED TO INSTALL THIS SKID PLATE. PLEASE DO NOT REMOVE ALL BOLTS AT ONCE. BRACKETS HAVE TO BE INSTALLED ONE AT A TIME.

(This skid plate can be installed by one person but it is highly recommended to have assistance of a second person.)

PROCEDURE

1. Remove contents from box, verify if all parts listed are present and free from damage. Carefully read and understand all instructions before attempting installation.

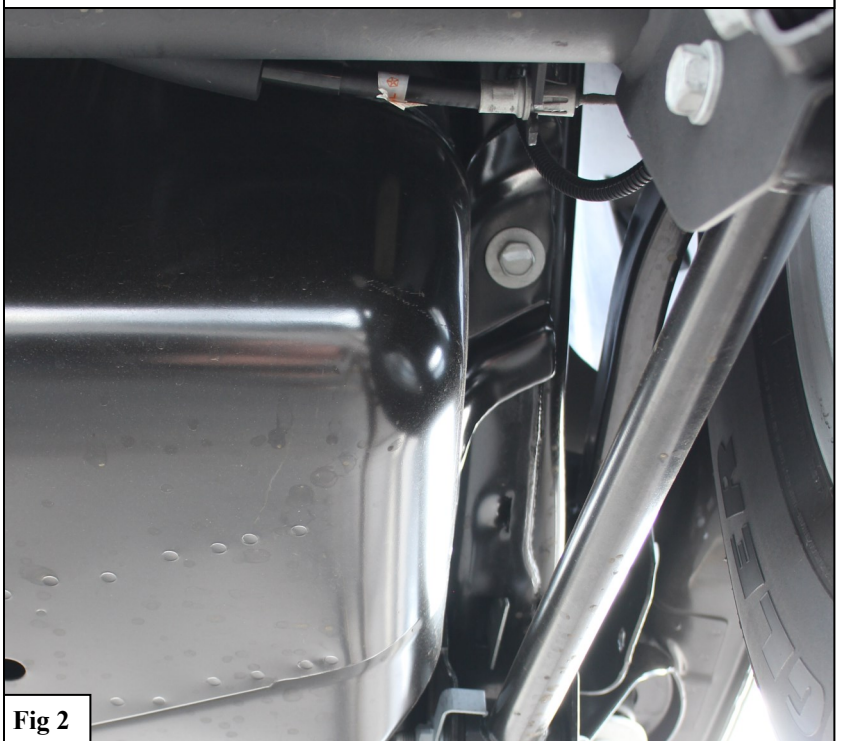
Failure to identify damage before installation could lead to a rejection of any claim.

2. Use the factory gas tank hardware to install Bracket 1 (2) to the frame. See **Figure 1**. *Note: figures show the Skid Plate (1) installed. Do not install until all brackets are installed.*
3. Use the factory gas tank hardware to install Bracket 2 (3) to the vehicle. See **Figure 2**.

Located on passenger frame rail just in front of the lower control arm mount



Located in the rear-most passenger position on the gas tank. See Page 4 for bracket orientation.



WESTIN

Westin Automotive Products, Inc.
320 W. Covina Blvd
San Dimas, Ca. 91773

4. Use the factory gas tank hardware to install Bracket 3 (4) to the vehicle. See **Figure 3**.
5. Use the factory gas tank hardware to install Bracket 4 (5) to the vehicle. See **Figure 4**.

Located on driver side rear-most location of gas tank



Fig 3

Located on driver front-most location of gas tank.



Fig 4

6. Remove the bolt securing the cross-member to the gas tank and lift the Skid Plate (1) in order to pass it around the arm. See **Figure 5**.
7. Remove the two bolts securing the front of the factory skid plate. Re-use them to secure the front of the Westin Skid Plate (1). See **Figure 6**.



Fig 5

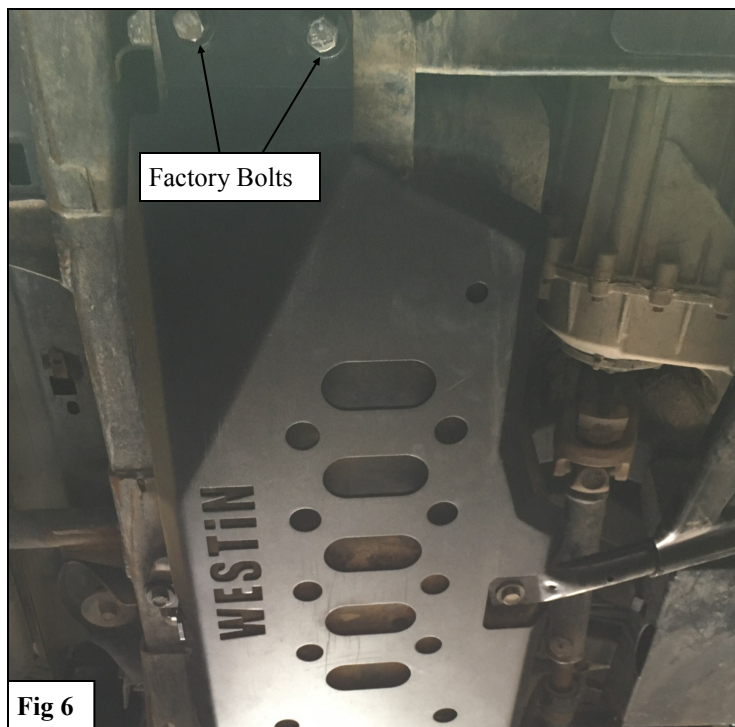
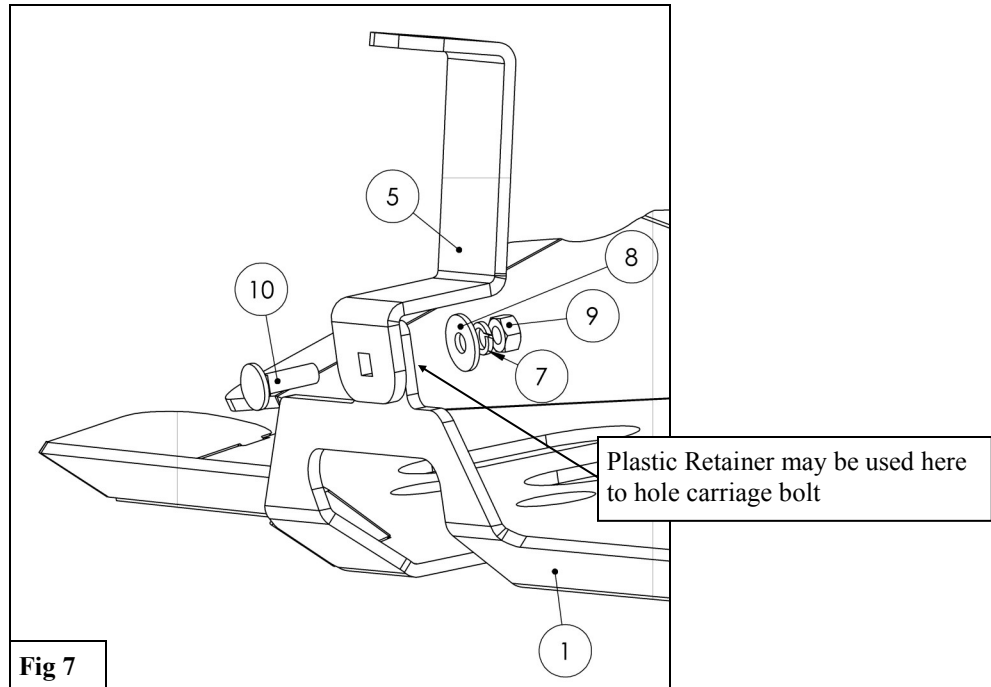
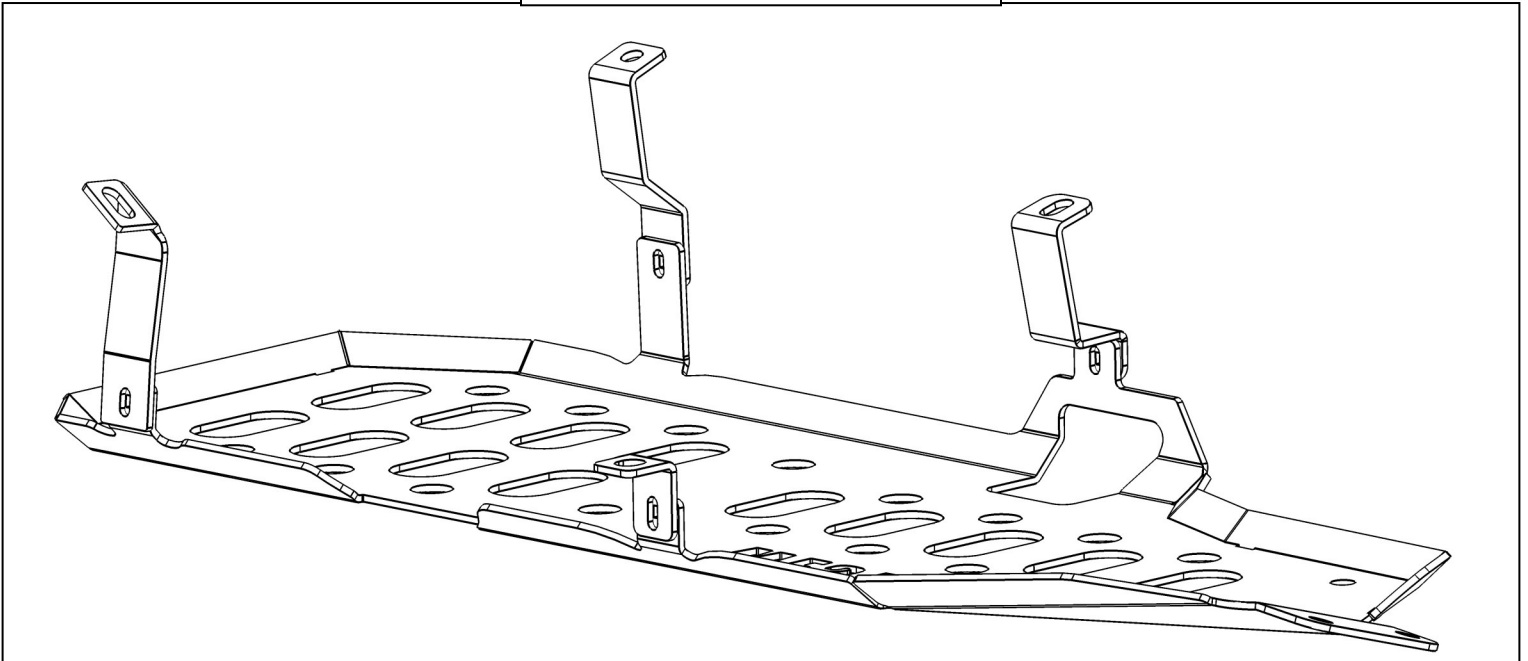


Fig 6

8. Use the supplied M8 Hardware to attach the Skid Plate (1) to the Brackets (2-5). See **Figure 7**. *Note: For Bracket s 1 & 2, the hardware will install from the inside out.*
9. Tighten all hardware as specified: M8 to 18 ft-lbs.



FOR BRACKET REFERENCE



INSTALLATION COMPLETE



CARE INSTRUCTIONS

- REGULAR WAXING IS RECOMMENDED. DO NOT USE ANY TYPE OF POLISH OR WAX THAT MAY CONTAIN ABRASIVES.
- STAINLESS STEEL PRODUCTS CAN BE CLEANED WITH MILD SOAP AND WATER. STAINLESS STEEL POLISH SHOULD BE USED TO POLISH SMALL SCRATCHES.
- GLOSS BLACK FINISHES SHOULD BE CLEANED WITH MILD SOAP AND WATER



WARNING



Failure to follow these instructions could lead to death, personal injury, and / or property damage.

Failure to follow these instructions could lead to death, personal injury, and / or property damage.

FASTENERS:

All Westin supplied fasteners must be utilized and installed in accordance with the installation instructions and apply torque to the specifications as defined. **DOUBLE CHECK ALL FASTENERS BEFORE INITIAL USE, AND PERIODICALLY IN THE FUTURE TO ENSURE PROPER FUNCTION AND SAFETY.**

DRILLING:

Most Westin products do not require drilling for installation. If drilling is defined as required, use caution when drilling a vehicle. **FAILURE TO REVIEW AN AREA TO BE DRILLED MAY RESULT IN PERSONAL INJURY AND/OR INJURY TO OTHERS AS WELL AS VEHICLE DAMAGE.**

EYE PROTECTION:

ALWAYS WEAR SAFETY GLASSES OR GOGGLES DURING THE INSTALLATION PROCESS TO AVOID PERSONAL INJURY.

MAXIMUM TOWING/CARRYING CAPACITY: (if applicable)

The Westin Receiver Hitches will have a visible tow rating label affixed directly on the product. User should never exceed the vehicle manufacturers maximum tow and weight rating regardless of the capacity of the hitch. **FAILURE TO FOLLOW THESE GUIDELINES WILL VOID THE WESTIN WARRANTY AND MAY RESULT IN PERSONAL INJURY AND/OR INJURY TO OTHERS AS WELL AS VEHICLE DAMAGE.**

FOR CALIFORNIA RESIDENTS ONLY-PROP 65 WARNING:

Some products may contain chemicals such as DEHP, which can cause cancer, birth defects or other reproductive harm. For more info go to www.p65warnings.ca.gov



Westin Automotive Products, Inc.
320 W. Covina Blvd
San Dimas, Ca. 91773