

INSTALLATION INSTRUCTIONS



HDX LED GRILLE

APPLICATION:

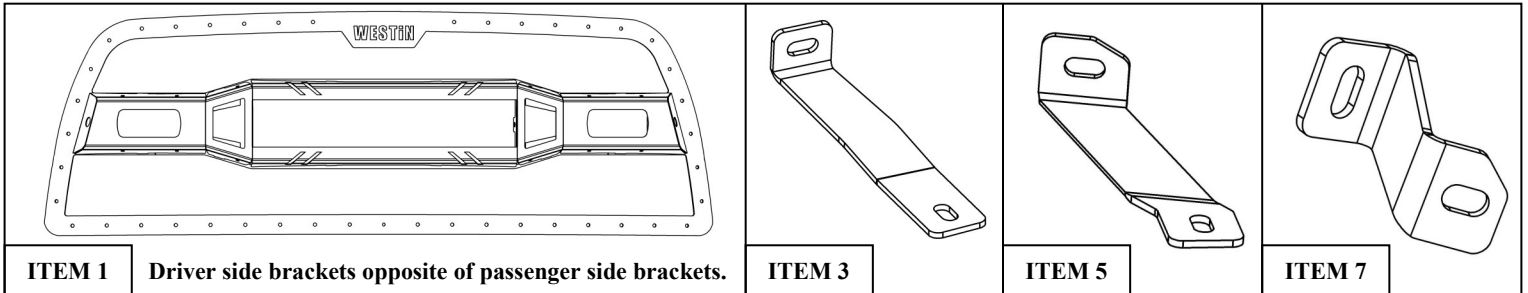
2013-2017 Dodge Ram 2500/3500 HD

PART NUMBER:

34-1095

ITEM	QUANTITY	DESCRIPTION	TOOLS NEEDED
1	1	HDX LED GRILLE	10MM SOCKET
2,3	2	UPPER BRACKET A, DRIVER (2) AND PASSENGER (3)	6MM HEX KEY TOOL
4,5	2	UPPER BRACKET B, DRIVER (4) AND PASSENGER (5)	RATCHET
6,7	2	LOWER BRACKET, DRIVER (6) AND PASSENGER (7)	TORQUE WRENCH
8	4	M6 HEX HEAD CAP SCREW (YELLOW ZINC)	10MM RATCHET WRENCH
9	6	M6 HEX NUT (YELLOW ZINC)	
10	10	M6 SPLIT LOCK WASHER (YELLOW ZINC)	
11	10	M6 FLAT WASHER (YELLOW ZINC)	

ANTI-SEIZE LUBRICANT MUST BE USED ON ALL STAINLESS STEEL FASTENERS TO PREVENT THREAD DAMAGE AND GALLING



PROCEDURE

1. Remove contents from box, verify if all parts listed are present and free from damage.

Carefully read and understand all instructions before attempting installation.

Failure to identify damage before installation could lead to a rejection of any claim.

2. Start by lifting up the hood and remove the radiator cover by removing the plastic clips. See **Figure 1**.
3. Under the radiator cover remove (4) bolts. Refer to **Figure 2**.

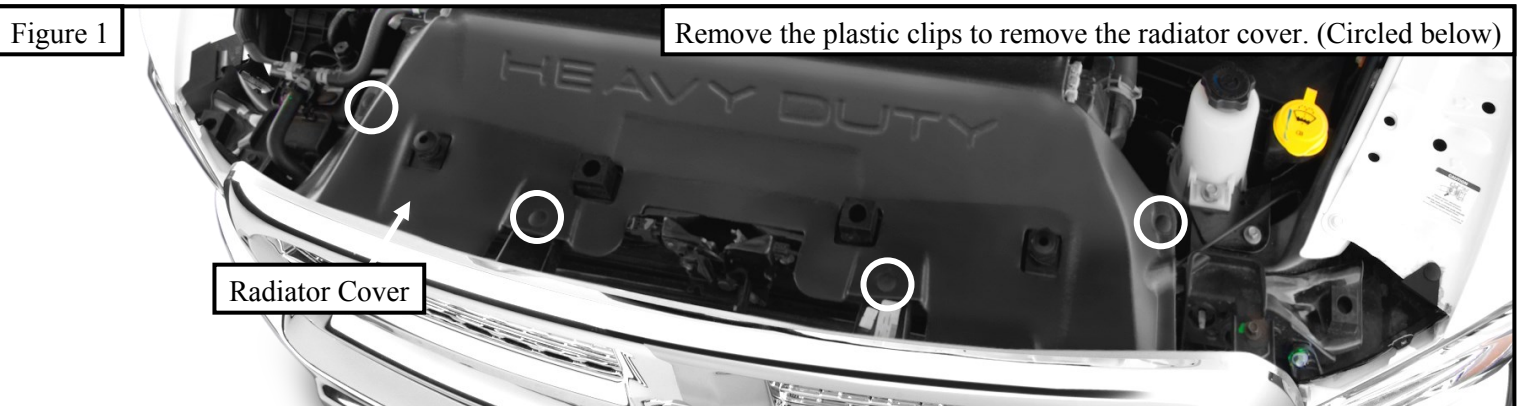
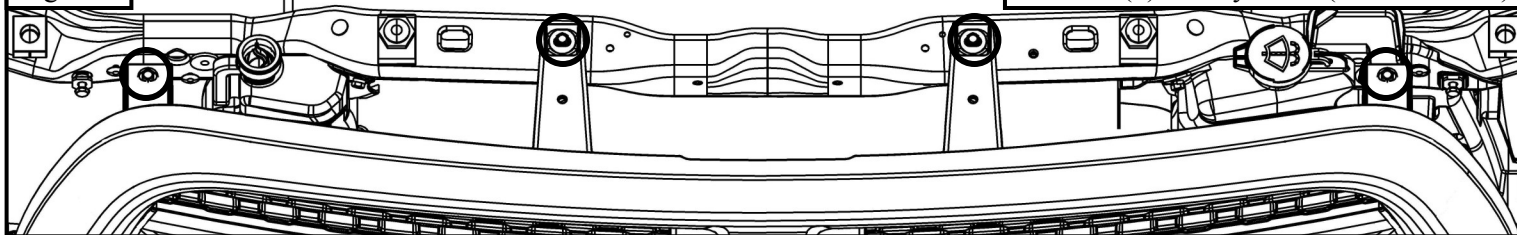


Figure 2

Remove (4) factory bolts. (Circled below)



4. Carefully pull off the grille. Bottom of grille is attached by clips and grille comes loose by pulling it off.
5. Locate (2) Lower Bracket (Items 6 & 7) and loosely secure onto the vehicle using (2) M6 hex head cap screw (Item 8), M6 flat washer (Item 11) and M6 split lock washer (Item 10). See **Figure 3**.
6. Locate (2) Upper Bracket A (Items 2 & 3) and (2) Upper Bracket B (Items 4 & 5). Loosely secure the upper brackets onto the vehicle using the previously removed factory hardware from the grille for the Upper Bracket B and for Upper Bracket A using (2) M6 hex head cap screw (Item 8), M6 flat washer (Item 11) and M6 split lock washer (Item 10). See **Figure 3**.

Figure 3

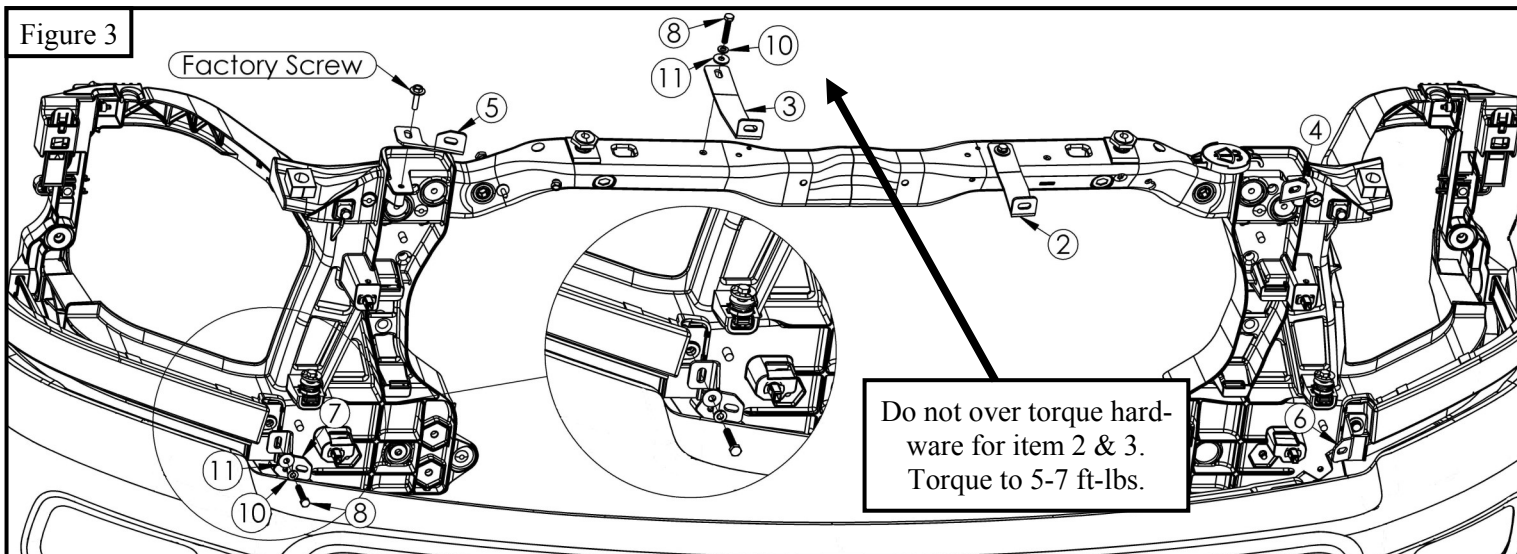
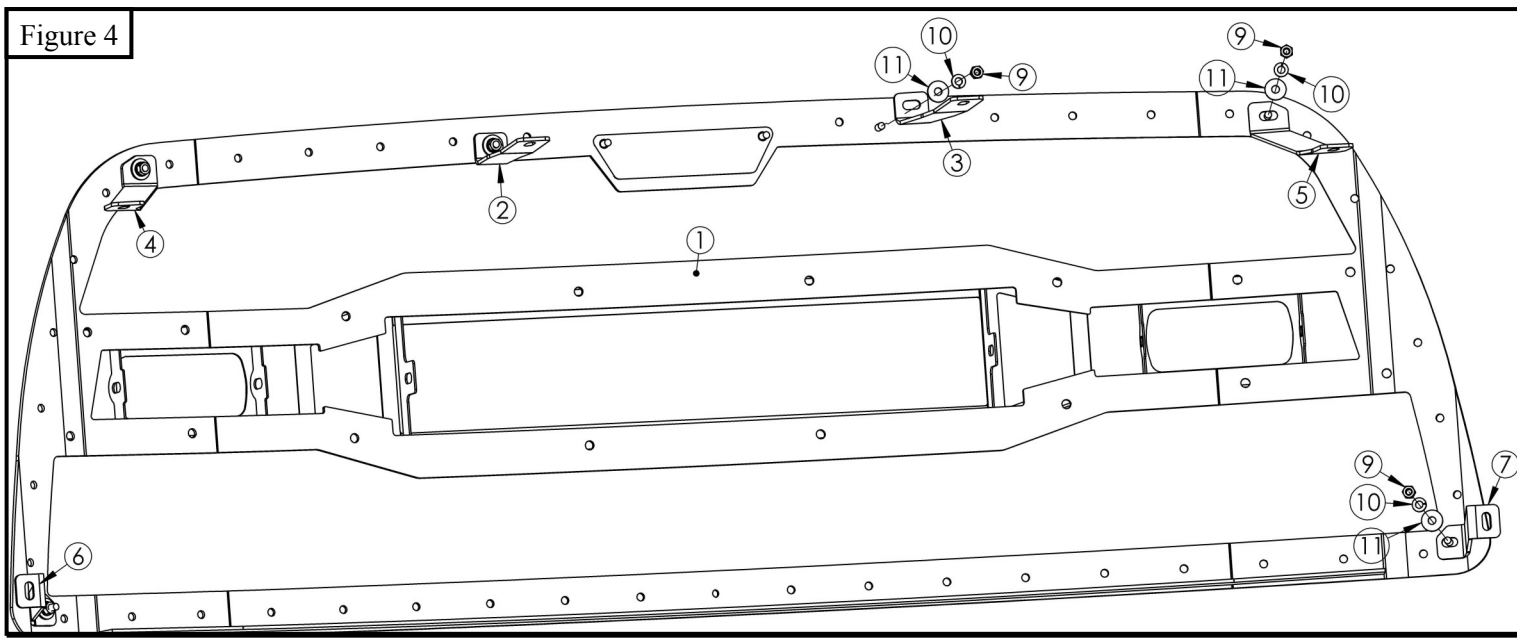


Figure 4

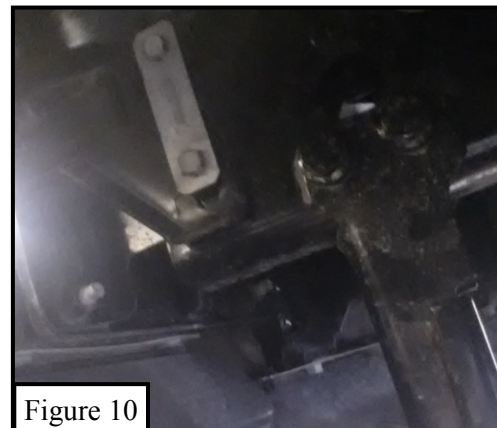
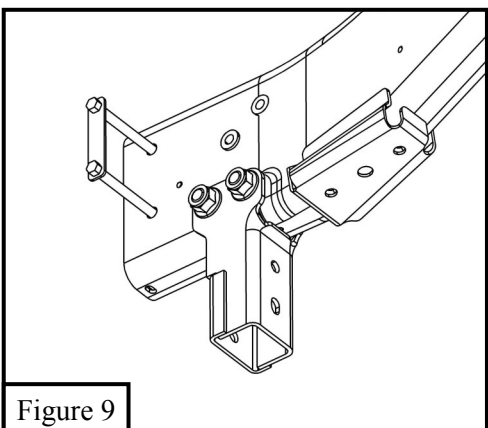
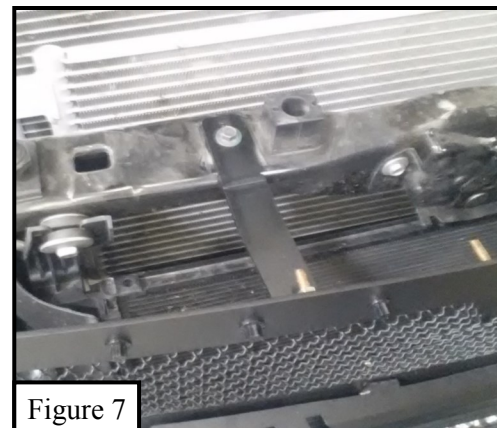
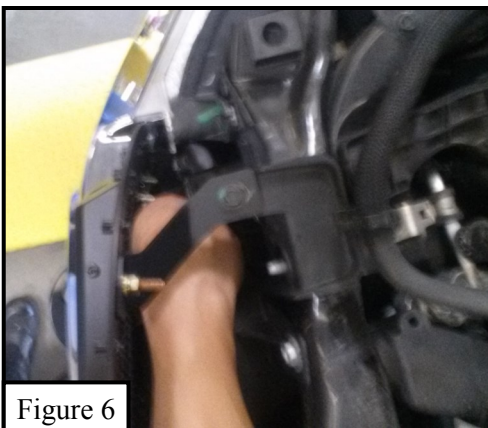
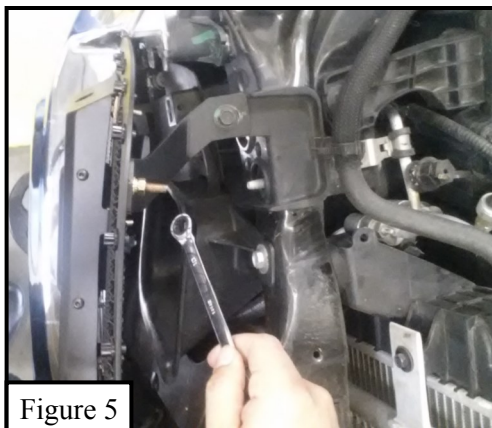


7. Align the HDX LED Grille (Item 1) with the previously installed brackets and loosely secure using the provided M6 hardware (Items 9 - 11). Refer to **Figure 4 - 8**.

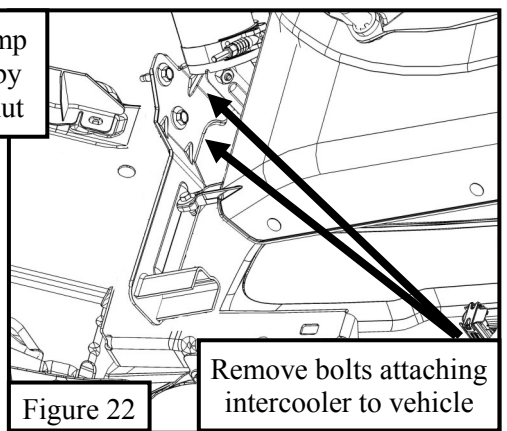
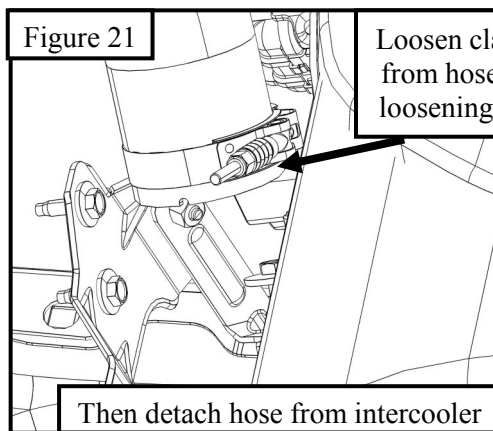
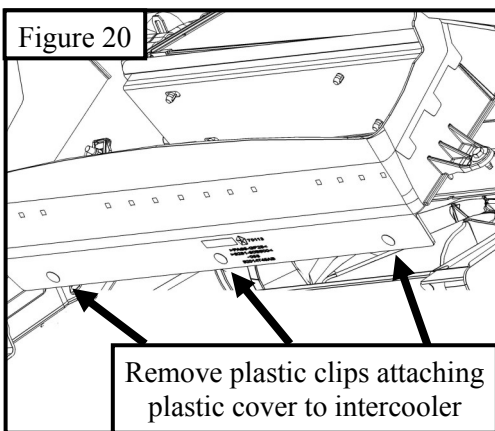
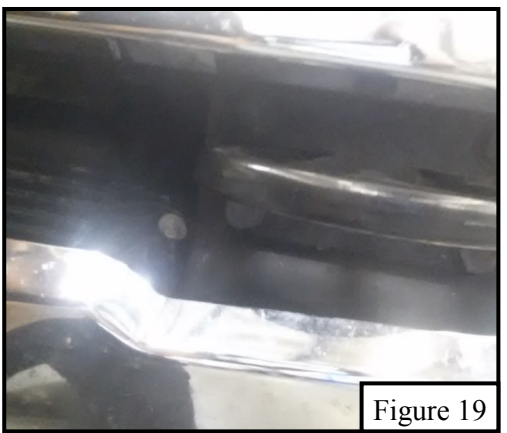
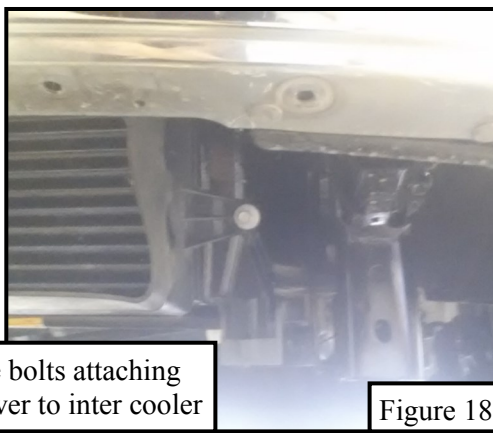
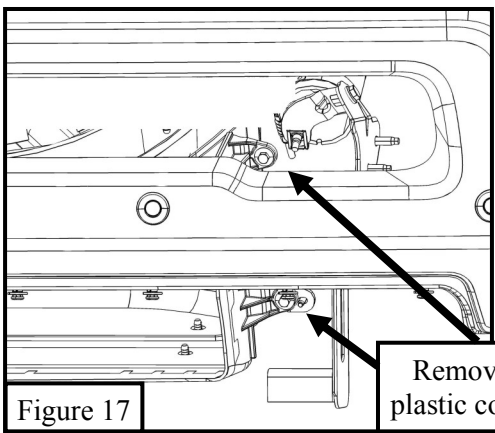
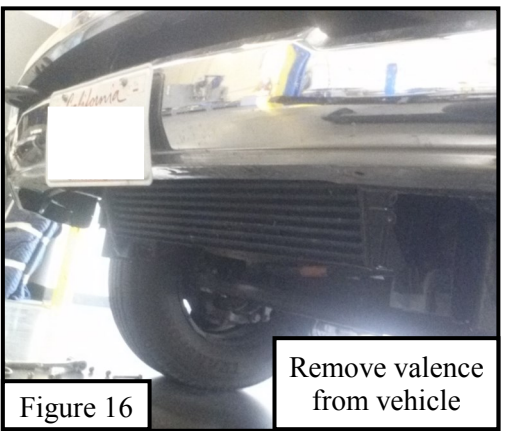
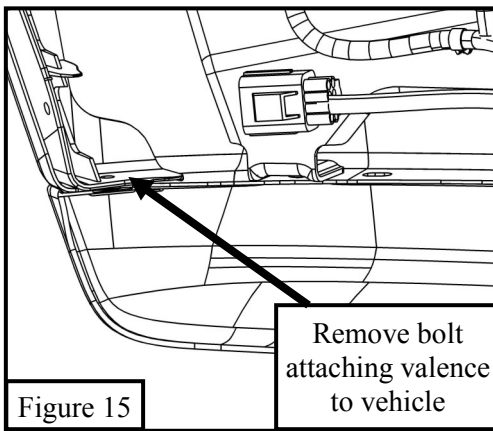
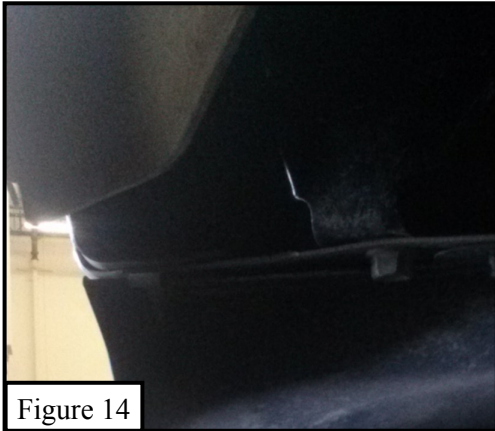
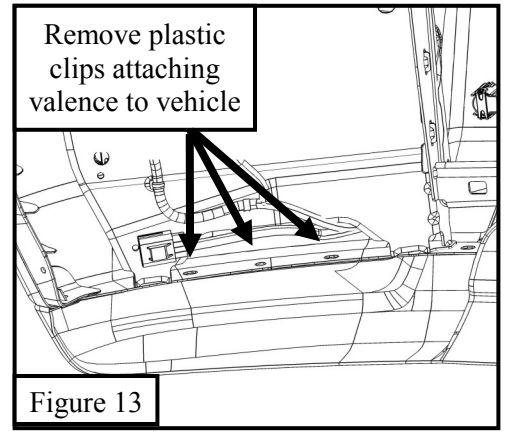
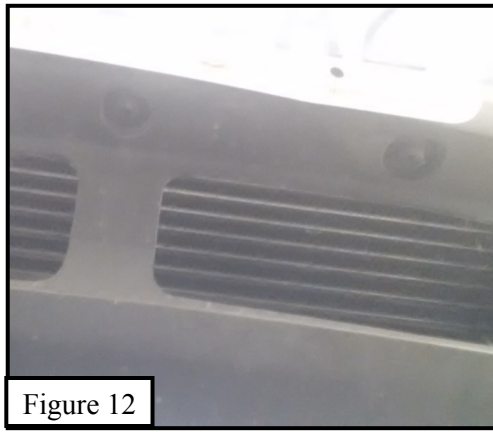
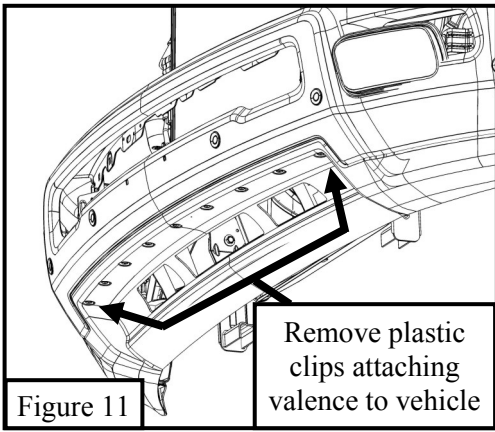
Note 1: If your arm does not fit through small gap to tighten bottom bracket with ratchet wrench. Removal of bumper is required to have easy access to mount area. To remove the bumper, factory bolt plates must be removed. See **Figure 9 & 10**

Note 2: If vehicle is a diesel model, the intercooler must be dropped in order to remove bumper. Go to **page 4** to see steps needed in order to drop intercooler.

- A. Remove valence from vehicle by removing factory clips and bolts. See **Figures 11 - 16**
 - B. Remove plastic cover from intercooler by removing factory bolts and plastic clips. See **Figures 17 - 20**
 - C. Loosen the hose clamps on both sides and slide back to remove hose from intercooler. See **Figures 21**
 - D. Remove factory bolts attaching intercooler bracket to vehicle. Drop intercooler. See **Figures 22**
 - E. Remove Bumper following instructions one **Note 1**.
8. Align and adjust the grille and brackets as necessary then torque all M6 hardware 5-7 ft-lbs.
- Note 3:** If bumper was removed, loosely hold up bumper and align grille to desired position, tighten the grille, (reinstall removed components and intercooler for diesel model), then reinstall bumper.
- Note 4:** Brackets can be bent in order to adjust and align in order to achieve desired fit.
9. Follow steps on **page 6** to connect the LED lights.



Bumper Removal Instructions (Diesel Applications)



Installation Complete



Care Instructions

- REGULAR WAXING IS RECOMMENDED. DO NOT USE ANY TYPE OF POLISH OR WAX THAT MAY CONTAIN ABRASIVES.
- STAINLESS STEEL PRODUCTS CAN BE CLEANED WITH MILD SOAP AND WATER. STAINLESS STEEL POLISH SHOULD BE USED TO POLISH SMALL SCRATCHES.
- GLOSS BLACK FINISHES SHOULD BE CLEANED WITH MILD SOAP AND WATER.

WESTIN Westin Automotive Products, Inc.
320 W. Covina Blvd
San Dimas, Ca. 91773

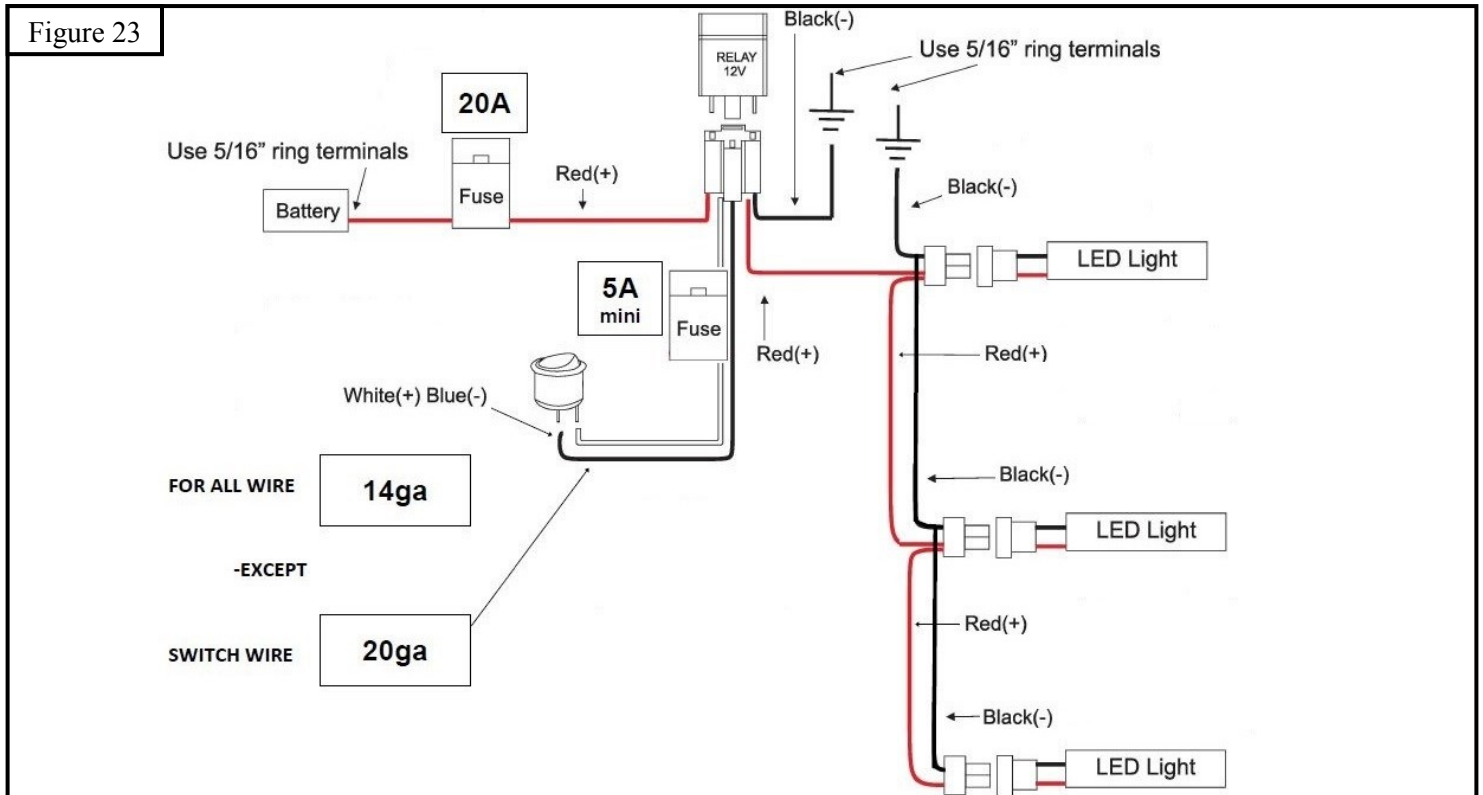
Thank you for choosing Westin products
for additional installation assistance please call
Customer Service (800) 793-7846
www.westinautomotive.com

WIRING INSTRUCTIONS (CAUTION):

1. Disconnect ground connection from battery (-) to avoid accidental short circuits before attempting to connect electrical wires.
2. When running wires, avoid areas of excessive heat, vibration, pinch or rotation when securing harness to vehicle.
3. Always use a fused (+) positive supply source.
4. This light becomes hot under continuous use. Do not remove or touch the casting for at least 30 minutes after the lamp has been turned off.

WESTIN recommends using a professional for this installation. Refer to Figure 23 below.

1. Locate the wiring harness and mount the switch in a convenient location where it is easily accessible from the drivers seat. **Note:** *The switch will need to be removed from the wiring harness so that the rest of the harness can be routed from the engine bay to the cabin.*
2. Route the wiring harness wire, specifically the fuse and relay, from the positive battery terminal along the firewalls existing wire routes. **Note:** *Tape as necessary to correct slack.*
3. Secure the relay by either drilling or using a pre-existing bolt along the chassis that is not connected to any other wire.
4. Run the switch harness through the firewall preferably through the pre-existing rubber plug that is used to run the OEM wiring harness from the engine bay to fuse box. **Note:** *Reconnect the switch to the wiring harness.*
5. Place the LED plug wire along the fender chassis where it will not get pinched and away from any moving parts (fan, pulleys etc.).
6. Run the attached wire from the LED Light Bar as previously mentioned away from any moving parts.
7. Connect both ends of wiring connectors from LED light bar and wiring harness.
8. Re-connect battery terminals, attach the red (+) wire to battery positive, and the black (-) wire to ground. **Note:** *Add dielectric grease (not supplied).*
9. Turn on the switch to make sure if the light works. If not, please check carefully if the wiring installation is correct.





WARNING



Failure to follow these instructions could lead to death, personal injury, and / or property damage.

FASTENERS:

All Westin supplied fasteners must be utilized and installed in accordance with the installation instructions and apply torque to the specifications as defined. **DOUBLE CHECK ALL FASTENERS BEFORE INITIAL USE, AND PERIODICALLY IN THE FUTURE TO ENSURE PROPER FUNCTION AND SAFETY.**

DRILLING:

Most Westin products do not require drilling for installation. If drilling is defined as required, use caution when drilling a vehicle. **FAILURE TO REVIEW AN AREA TO BE DRILLED MAY RESULT IN PERSONAL INJURY AND/OR INJURY TO OTHERS AS WELL AS VEHICLE DAMAGE.**

EYE PROTECTION:

ALWAYS WEAR SAFETY GLASSES OR GOGGLES DURING THE INSTALLATION PROCESS TO AVOID PERSONAL INJURY.

MAXIMUM TOWING/CARRYING CAPACITY:

The Westin Receiver Hitches will have a visible tow rating label affixed directly on the product. User should never exceed the vehicle manufacturers maximum tow and weight rating regardless of the capacity of the hitch. **FAILURE TO FOLLOW THESE GUIDELINES WILL VOID THE WESTIN WARRANTY AND MAY RESULT IN PERSONAL INJURY AND/OR INJURY TO OTHERS AS WELL AS VEHICLE DAMAGE.**