

INSTALLATION INSTRUCTIONS

R5 Nerf Step Bars



APPLICATION:
1999-2016 Ford Super Duty
PART NUMBER:
28-51210, 28-51215

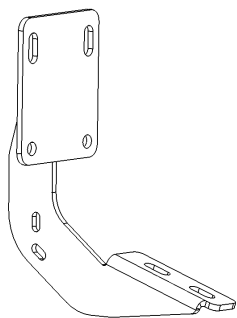
CONTENT

ITEM	QUANTITY	DESCRIPTION	TOOLS NEEDED
1	2	STEP BAR ASSEMBLY (1 DRIVER, 1 PASSENGER)	13MM WRENCH
2	6	MOUNTING BRACKET	10MM WRENCH
3	6	PLATE ADAPTER (FOR 28-51210 ONLY)	10MM SOCKET
4	2	FRONT SPACER PLATE	RATCHET
5	12	M8 BUTTON HEAD BOLT	
6	10	M8 U-CLIPS	
7	10	M8 HEX HEAD CAP SCREW	
8	34	M8 SPLIT LOCK WASHER (12 black zinc)	
9	46	M8 FLAT WASHER (12 large black zinc, 12 black zinc)	
10	12	M6 HEX HEAD CAP SCREW (12 black zinc)	
11	24	M6 FLAT WASHER (12 black zinc)	
12	12	M6 NYLOCK NUT	
13	24	M8 HEX NUT (12 black zinc)	
14	12	M8 SQUARE HEAD BOLTS (FOR 28-512105 ONLY)	
15	6	PLASTIC BRACKET COVERS	

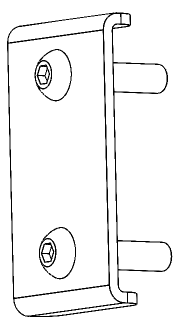
ITEM 1



ITEM 2



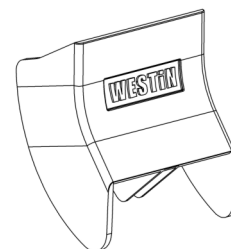
ITEM 3



ITEM 4

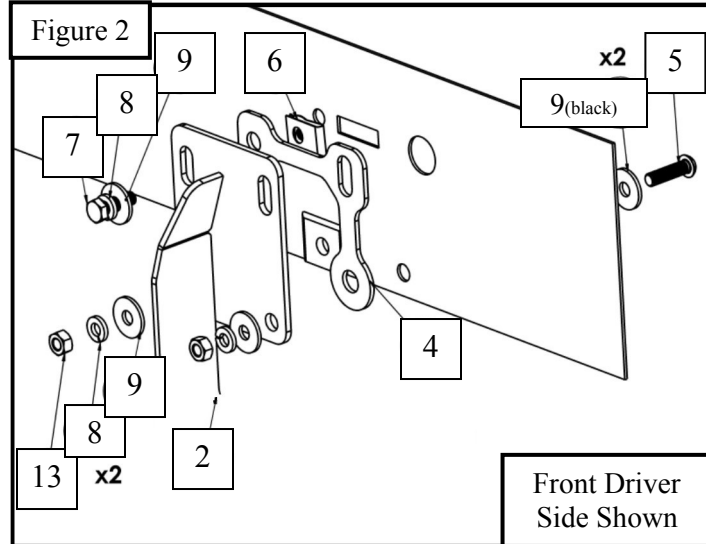
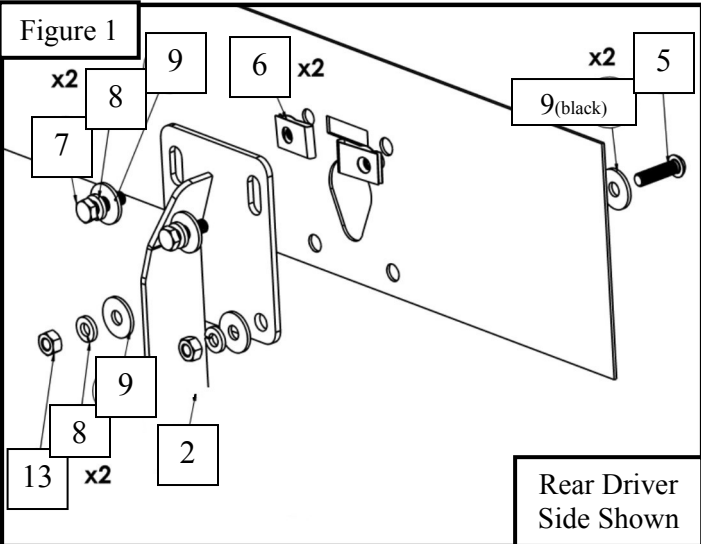


ITEM 15

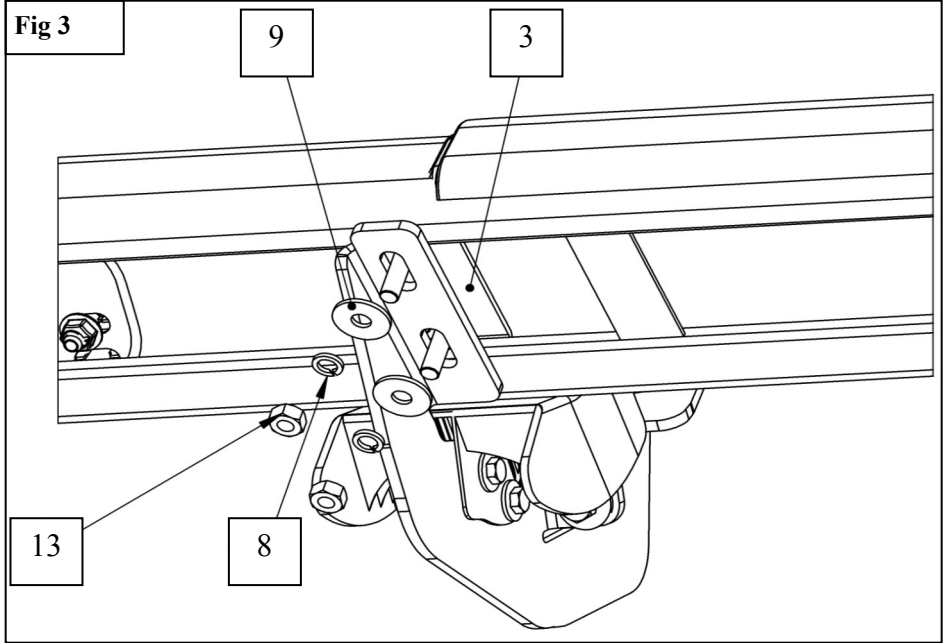


PROCEDURE

1. Remove contents from box, verify if all parts listed are present and free from damage. Carefully read and understand all instructions before attempting installation.
Failure to identify damage before installation could lead to a rejection of any claim.
2. Start installation on driver's side. On the rocker panel find locations with open holes and insert in the top open holes (2) M8 nut clips (Item 6). **NOTE: ON SOME VEHICLES THE MOUNTING HOLES DO NOT LINE UP FROM THE FACTORY IF THIS IS THE CASE DRILL OUT THE HOLES USING A 7/16" DRILL BIT**
3. Then loosely install M8 hardware to previously installed Nut Clip; (2) M8 hex head bolts, (2) M8 flat washers, (2) M8 split lock washers. For installing to bottom open holes of the rocker panel, loosely install, (2) M8 button head bolts, (4) M8 flat washers, (2) M8 split lock washers, (2) M8 hex nuts. Repeat the same procedure for all other mounting locations. **See Figure 1.**
4. Note: For 2010– up model years place (1) front mounting bracket spacer (Item 4) in between the rocker panel and the front mounting bracket before installing. **See Figure 2**

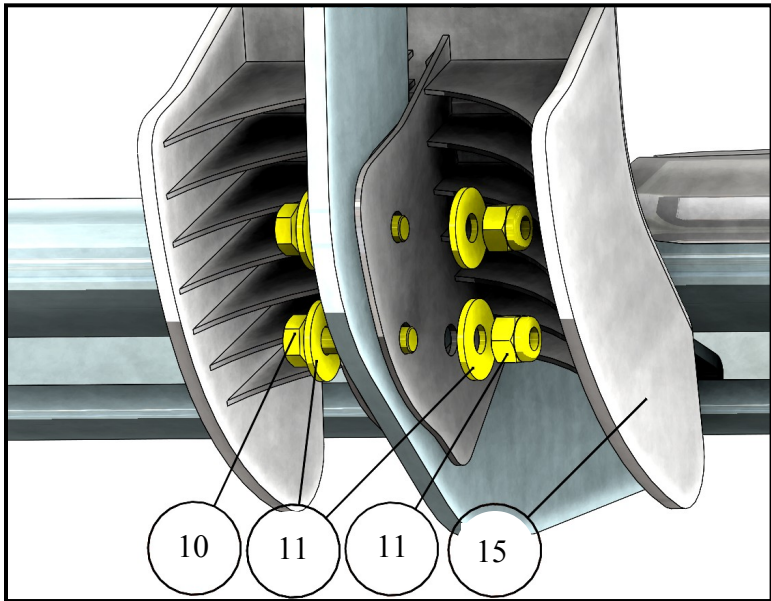


12. Installation of the step boards will utilize the supplied M8 hardware with Plate Adapters (3) See **Figure 3**.
13. For 28-51215, slide supplied square head bolts through slots on step bar and align with slots on mounting brackets. See **Figure 4**.



Plastic Cover Installation:

1. Locate (1) plastic bracket cover (Item 15) and loosely secure it to the brackets using the provided hardware: (2) M6 hex head cap screws, (4) M6 flat washers, and (2) M6 nylock nuts. Repeat for every bracket. See **Figure 5**.



12. Align and adjust the step bars and brackets as needed, then fully tighten all hardware: M8 to 15-18 ft-lbs and M6 to 6-9 ft-lbs.

INSTALLATION COMPLETE



WESTIN Westin Automotive Products, Inc.
320 W. Covina Blvd
San Dimas, Ca. 91773

P.N.: 75-285121-RevA

ECO #: W18-0037

Thank you for choosing Westin products
for additional installation assistance please call
Customer Service (800) 793-7846
www.westinautomotive.com

DATE: 06/06/18



WARNING



Failure to follow these instructions could lead to death, personal injury, and / or property damage.

Failure to follow these instructions could lead to death, personal injury, and / or property damage.

FASTENERS:

All Westin supplied fasteners must be utilized and installed in accordance with the installation instructions and apply torque to the specifications as defined. **DOUBLE CHECK ALL FASTENERS BEFORE INITIAL USE, AND PERIODICALLY IN THE FUTURE TO ENSURE PROPER FUNCTION AND SAFETY.**

DRILLING:

Most Westin products do not require drilling for installation. If drilling is defined as required, use caution when drilling a vehicle. **FAILURE TO REVIEW AN AREA TO BE DRILLED MAY RESULT IN PERSONAL INJURY AND/OR INJURY TO OTHERS AS WELL AS VEHICLE DAMAGE.**

EYE PROTECTION:

ALWAYS WEAR SAFETY GLASSES OR GOGGLES DURING THE INSTALLATION PROCESS TO AVOID PERSONAL INJURY.

MAXIMUM TOWING/CARRYING CAPACITY:

The Westin Receiver Hitches will have a visible tow rating label affixed directly on the product. User should never exceed the vehicle manufacturers maximum tow and weight rating regardless of the capacity of the hitch. **FAILURE TO FOLLOW THESE GUIDELINES WILL VOID THE WESTIN WARRANTY AND MAY RESULT IN PERSONAL INJURY AND/OR INJURY TO OTHERS AS WELL AS VEHICLE DAMAGE.**