



INSTALLATION INSTRUCTIONS

PRO TRAXX 5 WHEEL-TO-WHEEL NERF STEP BARS

APPLICATION:

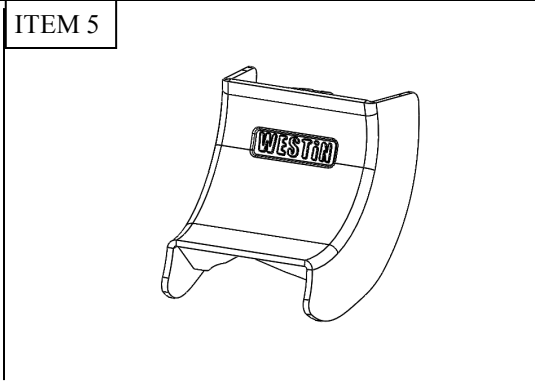
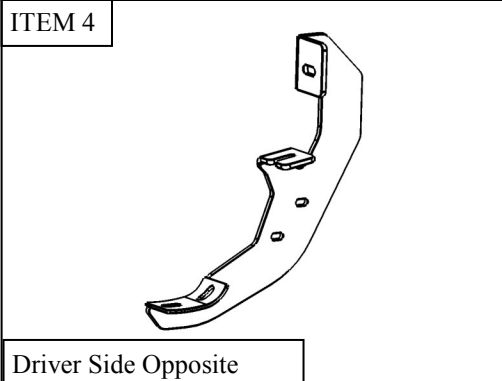
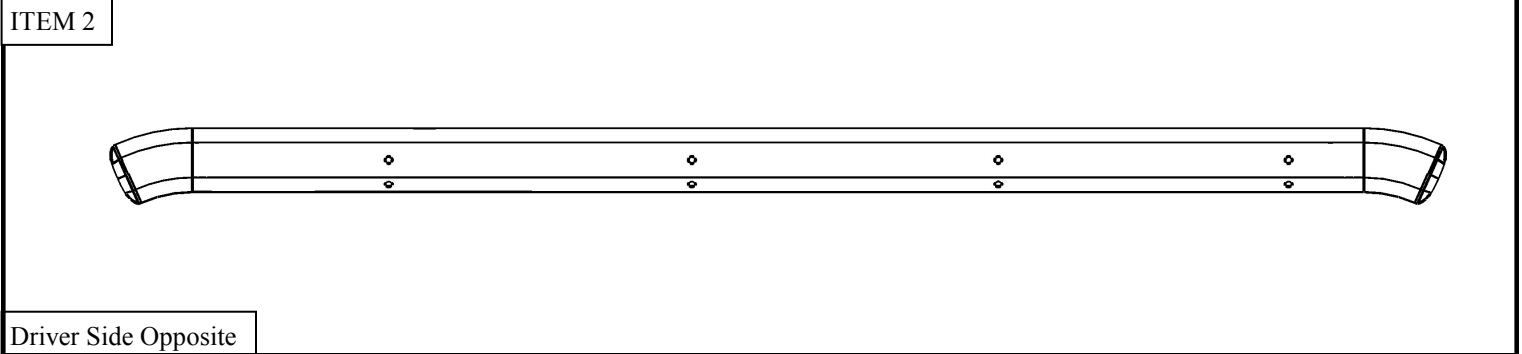
2019 Chevy Silverado/GMC Sierra 1500 Crew Cab (5.5ft. Bed)

PART NUMBER:

21-534680, 21-534685

CONTENT			
ITEM	QUANTITY	DESCRIPTION	TOOLS NEEDED
1,2	2	STEP BAR ASSEMBLY (1-DRIVER, 2-PASSENGER)	10MM SOCKET
3,4	8	MOUNTING BRACKET (3-DRIVER, 4-PASSENGER)	10MM WRENCH
5	8	PLASTIC BRACKET COVER	13MM SOCKET
6	16	M8 HEX HEAD CAP SCREW (YELLOW ZINC)	13MM WRENCH
7	16	M8 SPLIT LOCK WASHER (YELLOW ZINC)	RATCHET
8	16	M8 FLAT WASHER (YELLOW ZINC)	TORQUE WRENCH
9	16	M6 HEX HEAD CAP SCREW (YELLOW ZINC)	
10	32	M6 FLAT WASHER (YELLOW ZINC)	
11	16	M6 NYLOCK NUT (YELLOW ZINC)	
12	16	M10 BUTTON HEAD SCREW (BLACK ZINC)	
13	16	M10 TOOTHED LOCK WASHER (BLACK ZINC)	
14	16	M10 FLAT WASHER (BLACK ZINC)	

ANTI-SEIZE LUBRICANT MUST BE USED ON ALL STAINLESS STEEL FASTENERS TO PREVENT THREAD DAMAGE AND GALLING



PROCEDURE

1. Remove contents from box, verify if all parts listed are present and free from damage.
Carefully read and understand all instructions before attempting installation.
Failure to identify damage before installation could lead to a rejection of any claim.
2. Starting on the driver side, remove the rubber plugs located on the rocker panel at each mounting location. See **Figure 1**.
3. **For models with threaded holes:** At each bracket mounting location on the rocker panel there should be a welded factory nut.



Figure 1

4. Loosely preinstall the Bracket Covers (5) to the Mounting Brackets using the included M6 Hardware. See **Figure 2**.
5. Partially install the M8 Hardware in the bottom of the rocker panel and then slide the Mounting Brackets (3 & 4) into place and install the remaining M8 Hardware. See **Figures 3 & 4**.

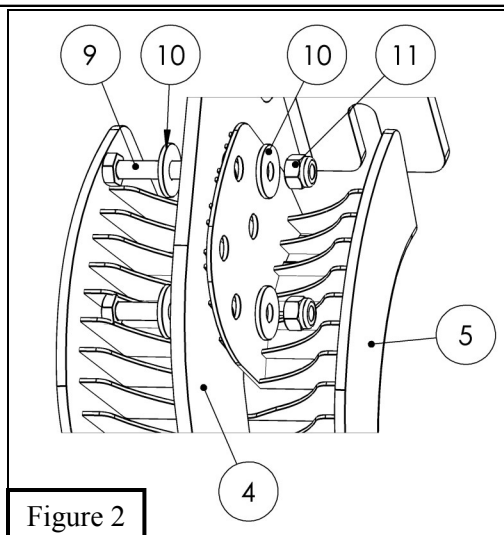


Figure 2

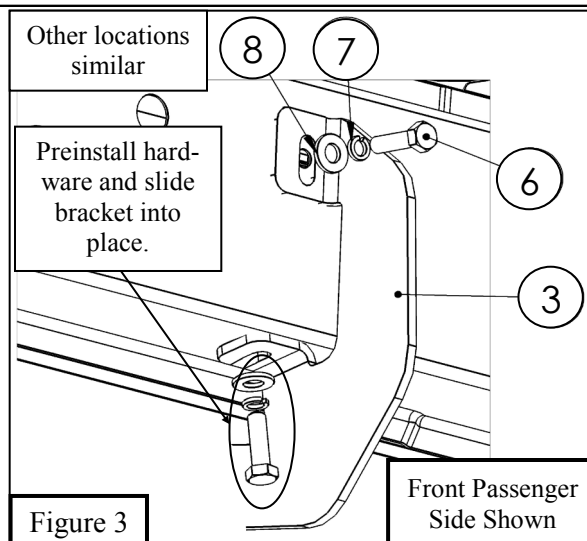


Figure 3

Driver Side Rocker Panel

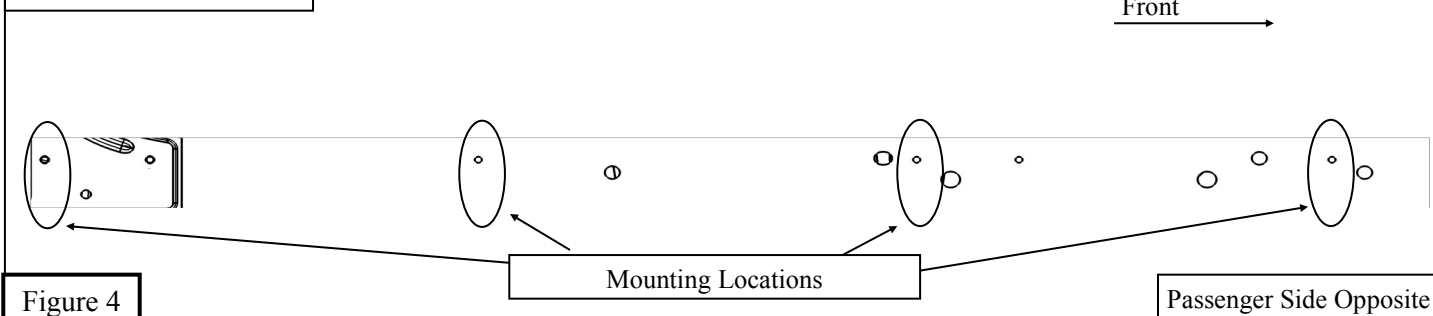


Figure 4

6. Fasten step bars respectively to either side using the included M10 hardware (9-11). See **Figure 5**.
7. Align and adjust the step bars as needed and fully tighten all hardware. Torque all M6 fasteners to 5-7 ft-lbs, all M8 fasteners to 15-18 ft-lbs, and all M10 fasteners to 30-35 ft-lbs.

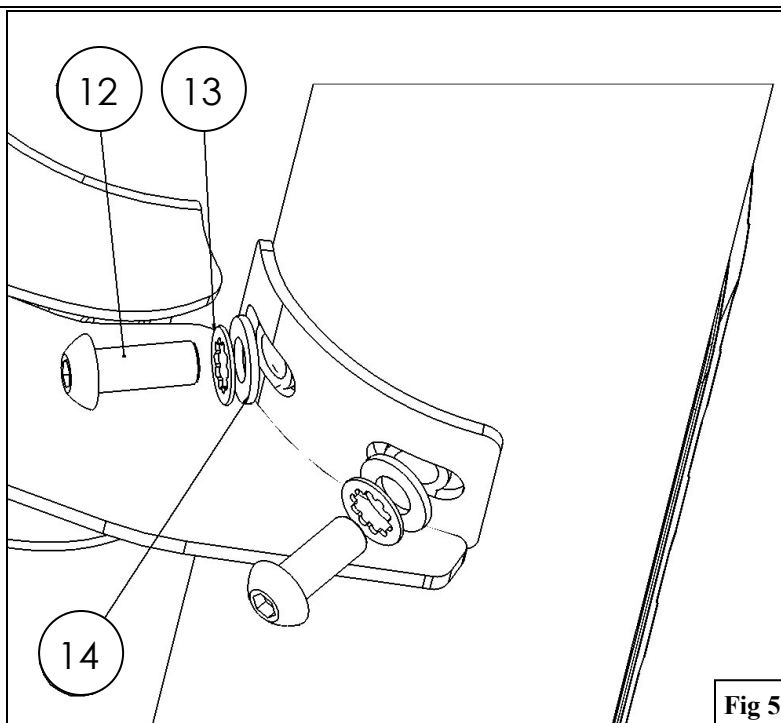


Fig 5



©2018 WESTIN AUTOMOTIVE PRODUCTS, INC. ALL RIGHTS RESERVED



WARNING



Failure to follow these instructions could lead to death, personal injury, and / or property damage.

Failure to follow these instructions could lead to death, personal injury, and / or property damage.

FASTENERS:

All Westin supplied fasteners must be utilized and installed in accordance with the installation instructions and apply torque to the specifications as defined. **DOUBLE CHECK ALL FASTENERS BEFORE INITIAL USE, AND PERIODICALLY IN THE FUTURE TO ENSURE PROPER FUNCTION AND SAFETY.**

DRILLING:

Most Westin products do not require drilling for installation. If drilling is defined as required, use caution when drilling a vehicle. **FAILURE TO REVIEW AN AREA TO BE DRILLED MAY RESULT IN PERSONAL INJURY AND/OR INJURY TO OTHERS AS WELL AS VEHICLE DAMAGE.**

EYE PROTECTION:

ALWAYS WEAR SAFETY GLASSES OR GOGGLES DURING THE INSTALLATION PROCESS TO AVOID PERSONAL INJURY.

MAXIMUM TOWING/CARRYING CAPACITY: (if applicable)

The Westin Receiver Hitches will have a visible tow rating label affixed directly on the product. User should never exceed the vehicle manufacturers maximum tow and weight rating regardless of the capacity of the hitch. **FAILURE TO FOLLOW THESE GUIDELINES WILL VOID THE WESTIN WARRANTY AND MAY RESULT IN PERSONAL INJURY AND/OR INJURY TO OTHERS AS WELL AS VEHICLE DAMAGE.**

FOR CALIFORNIA RESIDENTS ONLY-PROP 65 WARNING:

Some products may contain chemicals such as DEHP, which can cause cancer, birth defects or other reproductive harm. For more info go to www.p65warnings.ca.gov



Westin Automotive Products, Inc.
320 W. Covina Blvd
San Dimas, Ca. 91773