



INSTALLATION INSTRUCTIONS

2006-12 Toyota FJ Cruiser

Part # 45-2210, 40-2215

PARTS LIST:

1	Grille Guard
2	Lower Bracket (Driver and Passenger)
2	Middle Bracket (Driver and Passenger)
2	Top Bracket (Driver and Passenger)
4	M10*120 Hex Head Bolt, Yellow Zinc
4	M10 Lock Washer, Yellow Zinc
8	M10 Flat Washer, Yellow Zinc
4	M10 Nut, Yellow Zinc
4	M12*35 Hex Head Bolt, Stainless Steel
4	M12 Lock Washer, Stainless Steel
8	M12 Flat Washer, Stainless Steel
4	M12 Nut, Stainless Steel
4	M8*25 Hex Head Bolt, Yellow Zinc
4	M8 Flat Washer, Yellow Zinc
4	M8 Lock Washer, Yellow Zinc
2	M10*35 Hex Head Bolt, Stainless Steel
2	M10 Lock Washer, Stainless Steel
4	M10 Flat Washer, Stainless Steel
2	M10 Nut, Stainless Steel
4	M6 Lock Washer, Yellow Zinc
4	M6*30 Hex Head Bolt, Yellow Zinc
4	M6 Flat Washer, Yellow Zinc

Note: Westin advises the installer to use a thread lubricant on all stainless hardware.

PROCEDURE:

1. Remove contents from box and check for damage. Verify all parts are present. Read instructions carefully.
2. Locate frame mount for lower bracket (Driver side shown, See Fig #1). Insert from the top of the frame rail M10*120 hex head bolts and M10 flat washers as shown (See Fig #2). Install lower bracket using M10 hex nuts, M10 flat washers, and M10 lock washers (See Fig #3), leave loose. Repeat procedure for opposite side
3. Remove grille from vehicle for clearance and set aside. See Fig#4

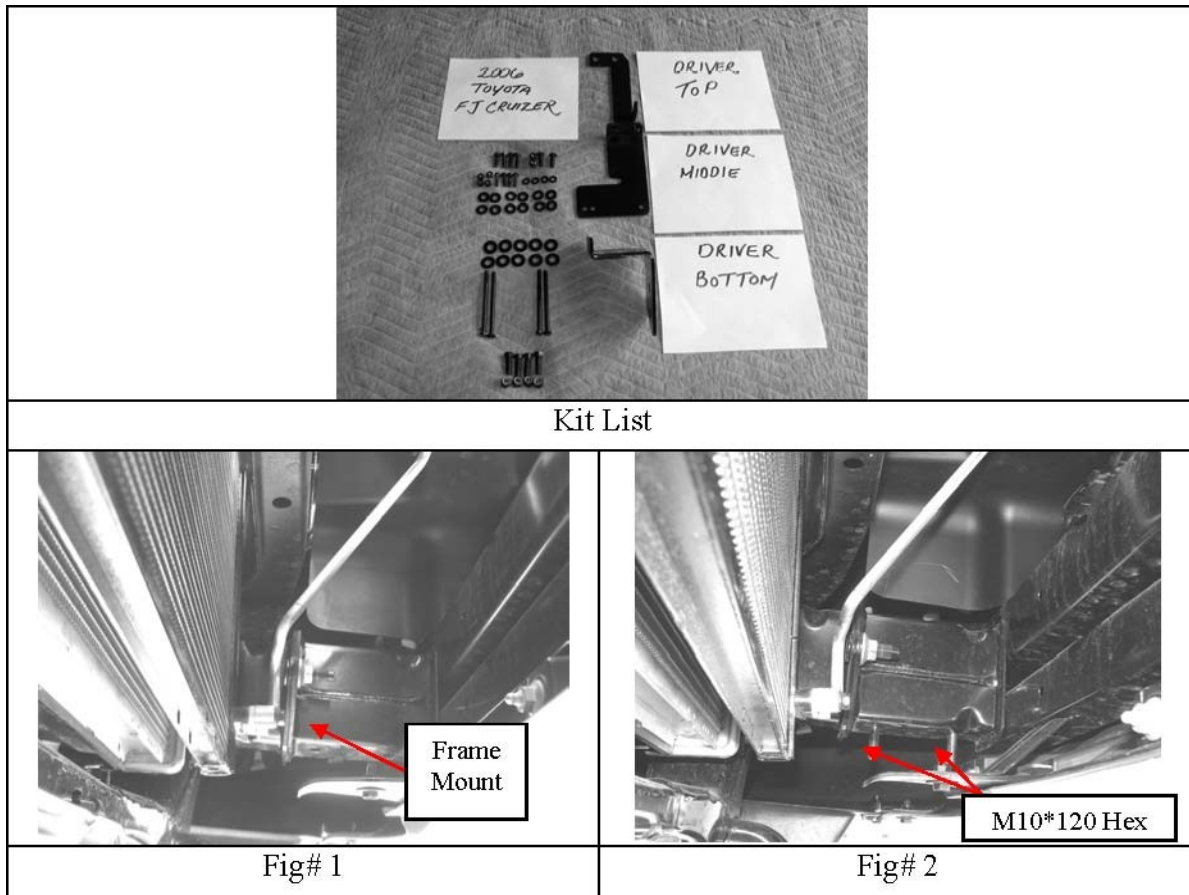
4. Install middle bracket onto radiator support (Driver and Passenger) using M6*30mm hex head bolts, M6 flat washers, M6 lock washers and tighten. (Driver Side shown, see Fig #5)

5. Reinstall grille onto vehicle.

6. Insert top bracket in between bumper and grille (See Fig #6) Align and install top bracket onto middle bracket using M8*25 hex head bolts, M8 flat washers, and M8 lock washers. Leave Loose (Driver side shown, see Fig #6 & 7). Repeat procedure for opposite side.

7. Install grille guard onto vehicle starting with lower brackets, using M12*35 hex head bolts, M12 hex nuts, M12 flat washers, M12 lock washers, then using M10*25 button head bolts, M10 hex nuts, M10 lock washers, and M10 flat washers onto top brackets. Leave Loose (See Fig #8)

8. Level and adjust grille guard as desired then tighten fasteners.



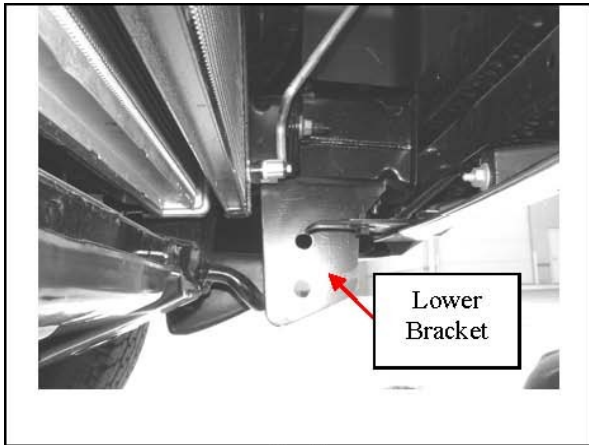


Fig #3



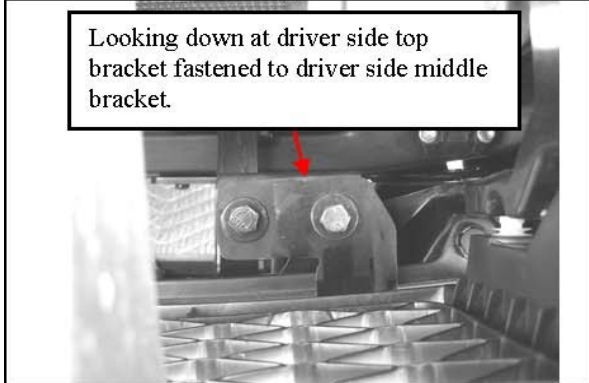
Fig# 4



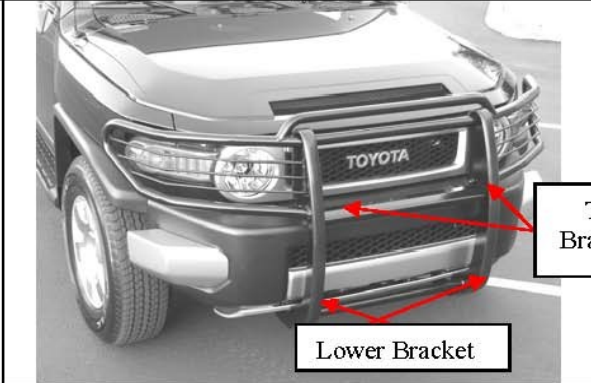
Fig #5



Fig#6



Fig# 7



Fig# 8



Westin Automotive Products, Inc.
320 Covina Blvd
San Dimas, Ca. 91773

Thank You for choosing Westin products
For Additional installation assistance please call
Customer service (800) 793-7846
www.westinautomotive.com