



AUTOMOTIVE PRODUCTS,

# INSTALLATION INSTRUCTIONS

## 4" OVAL TUBE MOUNT KIT

### APPLICATION:

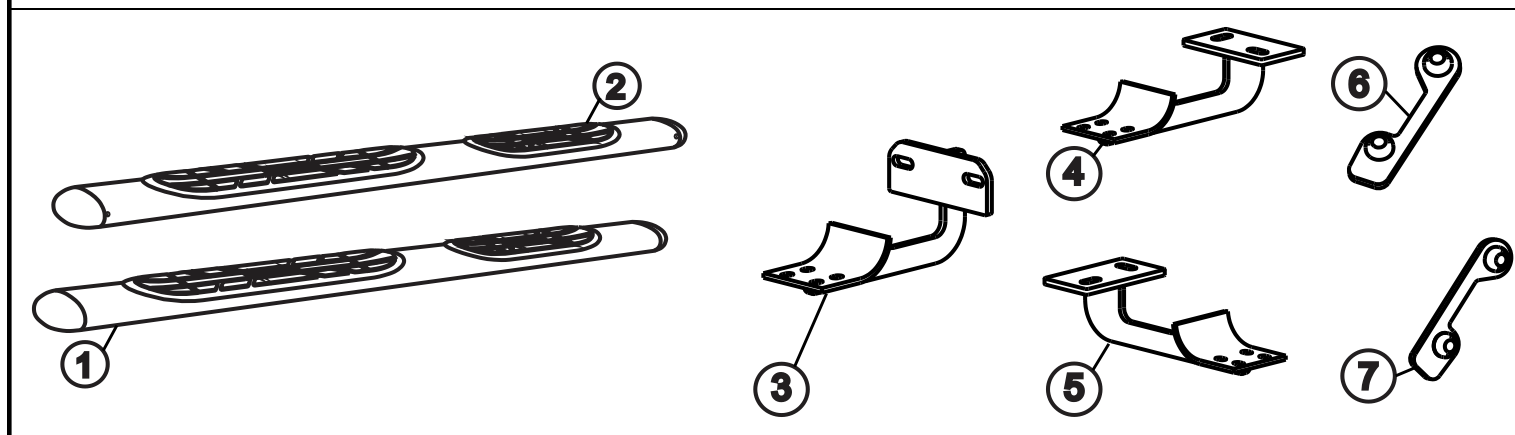
- 2001-2007 Ford Escape
- 2001-2007 Mazda Tribute
- 2001-2007 Mercury Mariner

### PART NUMBER:

22-1625

ITEM	QUANTITY	DESCRIPTION	TOOLS NEEDED
1,2	2	OVAL TUBE , PASSENGER (1) AND DRIVER (2) (SOLD SEPERATELY)	9/16" SOCKET
3	4	FRONT/CENTER BRACKET	7/16" SOCKET
4,5	2	REAR BRACKET, PASSENGER(4) AND DRIVER(5)	13MM SOCKET
6,7	2	MOUNT PLATE ASSEMBLY, PASSENGER(6) AND DRIVER(7)	RATCHET
8	4	3/8-16 X 1.50" HEX HEAD BOLT	TORQUE WRENCH
9	4	3/8" FLAT WASHER	
10	4	3/8" LOCK WASHER	
11	8	M8 HEX HEAD BOLT	
12	8	M8 FLAT WASHER	
13	8	M8 LOCK WASHER	
14	6	MOUNT ADAPTER PLATE (INCLUDED WITH STEP BARS)	
15	24	M6 LOCK NUT (INCLUDED WITH STEP BARS)	
16	24	M6 FLAT WASHER (INCLUDED WITH STEP BARS)	

**ANTI-SEIZE LUBRICANT MUST BE USED ON ALL STAINLESS STEEL FASTENERS TO PREVENT THREAD DAMAGE AND GALLING**



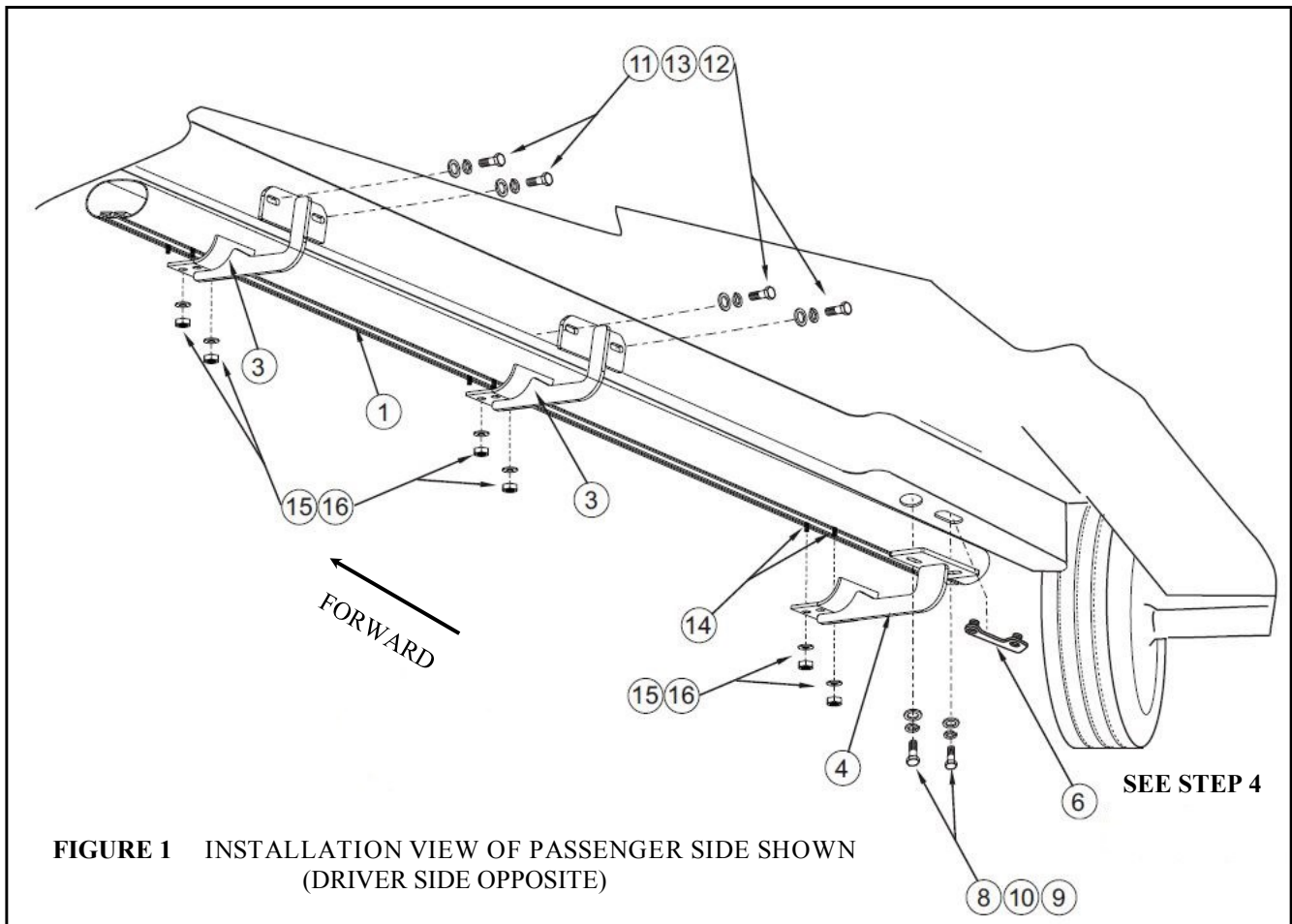
### PROCEDURE

1. Remove contents from box, verify if all parts listed are present and free from damage.  
Carefully read and understand all instructions before attempting installation.  
**Failure to identify damage before installation could lead to a rejection of any claim.**



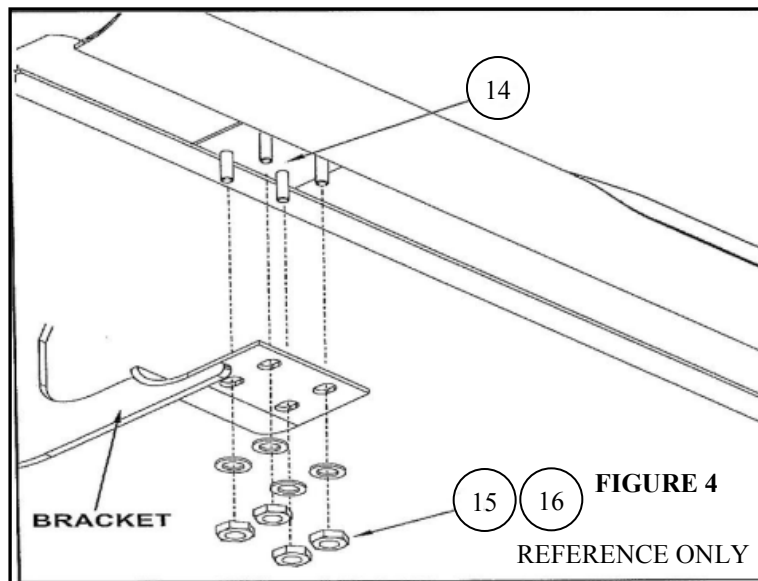
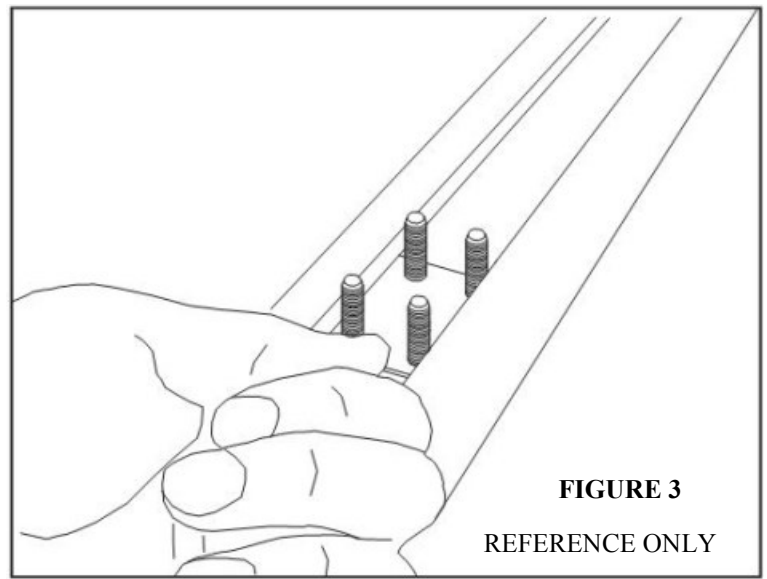
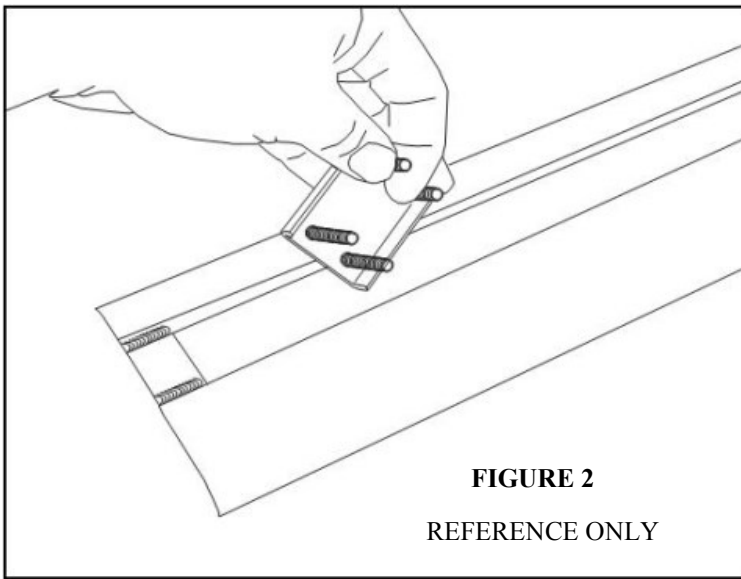
Westin Automotive Products, Inc.  
320 W. Covina Blvd  
San Dimas, Ca. 91773

2. Remove (4) rubber plugs located on backside of side rocker panel behind front tire and underneath front door.
3. **NOTE:** Front and center brackets are the same. Attach front and center brackets to side rocker panel using M8 fasteners as shown. Thread into holes where plugs were removed. Hand tighten. **See FIGURE 1.**
4. Locate rear mount holes (one slot and one hole) on underside of the rocker panel below the rear door. Insert mount plate into slot so holes of mount plate line up with mount holes on vehicle. **See FIGURE 1. NOTE:** High side of mount plate should face up.
5. Attach rear bracket to vehicle using 3/8" fasteners as shown. Hand tighten. **See FIGURE 1.**
6. Slide mount adapter plates on step bar as shown. Place step bar on saddle with long pad forward and end cap screw facing inward. Assemble with M6 hardware. **See FIGURES 2, 3, & 4.** Reference installation sheet, 75-0820, Oval Tube Mount Adapter Kit.
7. Make sure step bar and brackets are properly aligned with vehicle and tighten fasteners. Recommended torque values are 26 FT.LBS. for 3/8" fasteners and 20 FT.LBS. for M8 fasteners.



Westin Automotive Products, Inc.  
320 W. Covina Blvd  
San Dimas, Ca. 91773

Thank you for choosing Westin products  
for additional installation assistance please call  
Customer Service (800) 793-7846



**CARE INSTRUCTIONS**

- REGULAR WAXING IS RECOMMENDED. DO NOT USE ANY TYPE OF POLISH OR WAX THAT MAY CONTAIN ABRASIVES.
- STAINLESS STEEL PRODUCTS CAN BE CLEANED WITH MILD SOAP AND WATER. STAINLESS STEEL POLISH SHOULD BE USED TO POLISH SMALL SCRATCHES.
- GLOSS BLACK FINISHES SHOULD BE CLEANED WITH MILD SOAP AND WATER.



Westin Automotive Products, Inc.  
320 W. Covina Blvd  
San Dimas, Ca. 91773

Thank you for choosing Westin products  
for additional installation assistance please call  
Customer Service (800) 793-7846  
[www.westinautomotive.com](http://www.westinautomotive.com)