



SIGNATURE OF QUALITY

AUTOMOTIVE PRODUCTS,

INSTALLATION INSTRUCTIONS

6" PREMIER AND 4" OVAL TUBE MOUNT KIT

APPLICATION:

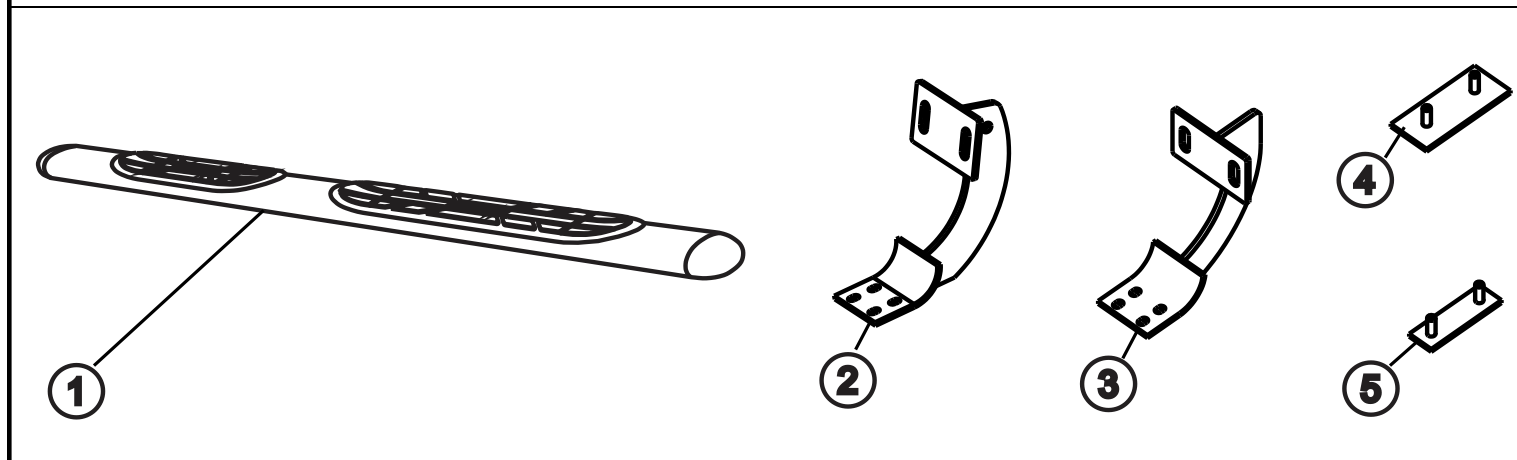
1997-2004 Ford F-150/250 LD Regular/Super Cab 4DR

PART NUMBER:

22-1045

ITEM	QUANTITY	DESCRIPTION	TOOLS NEEDED
1	2	STEP BAR (SOLD SEPARATELY)	9/16" SOCKET
2	2	FRONT BRACKET	7/16" SOCKET
3	2	REAR BRACKET	RATCHET
4	4	LARGE BOLT PLATE	TORQUE WRENCH
5	1	SMALL BOLT PLATE (1997-98 EXT. CAB)	
6	8	3/8" FLAT WASHER	
7	8	3/8" LOCK WASHER	
8	8	3/8-16" HEX NUT	
9	4	MOUNT ADAPTER PLATE (INCLUDED WITH STEP BARS)	
10	16	M6 LOCK NUT (INCLUDED WITH STEP BARS)	
11	16	M6 FLAT WASHER (INCLUDED WITH STEP BARS)	
12	4	6 INCH ADAPTER PLATE (INCLUDED WITH STEP BARS)	

ANTI-SEIZE LUBRICANT MUST BE USED ON ALL STAINLESS STEEL FASTENERS TO PREVENT THREAD DAMAGE AND GALLING

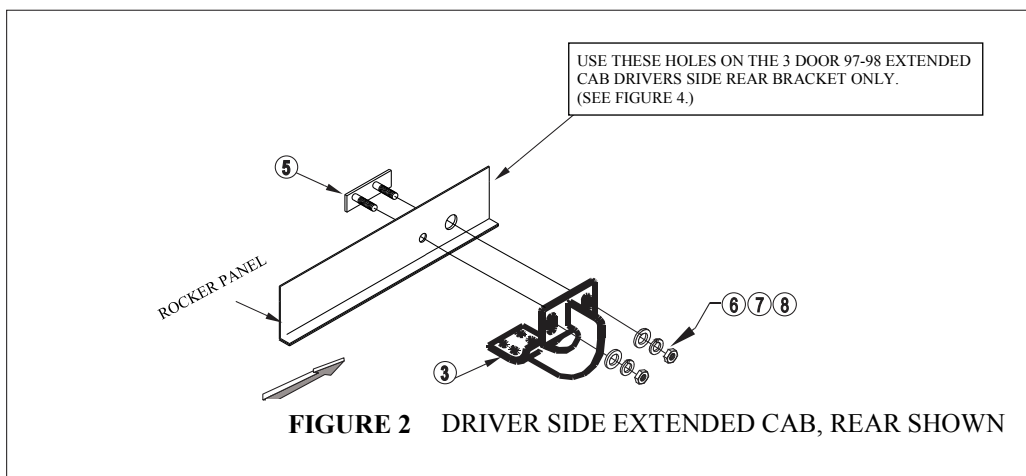
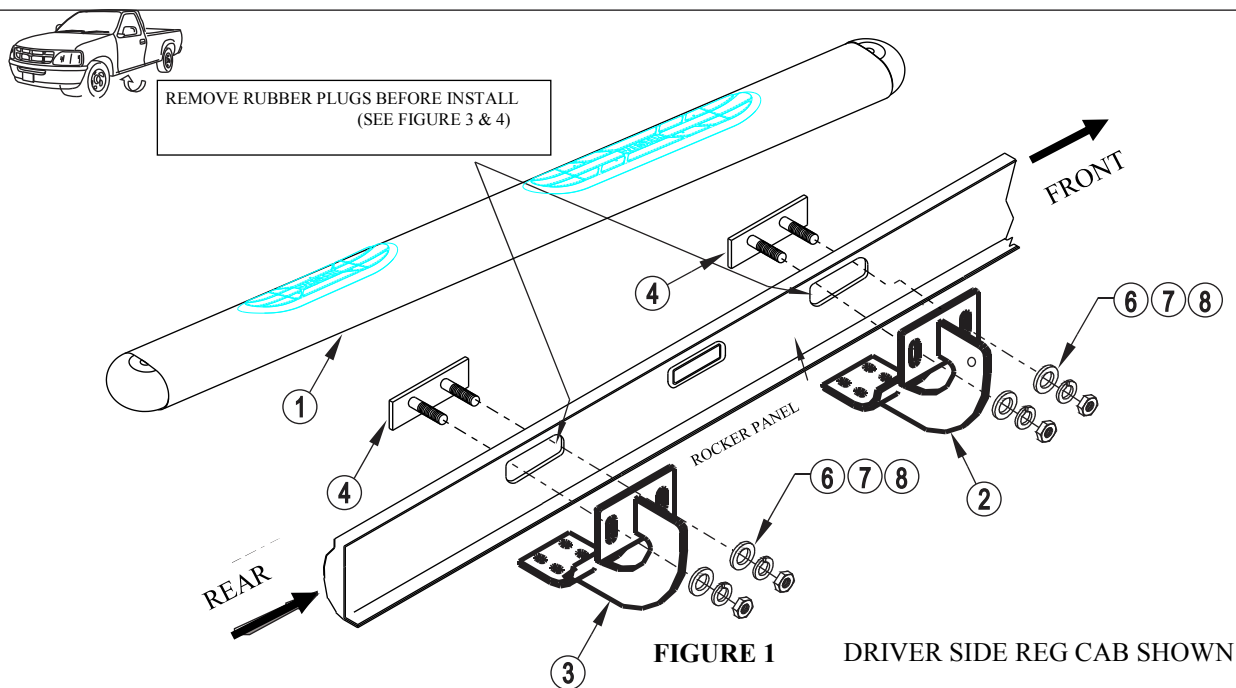


Westin Automotive Products, Inc.
320 W. Covina Blvd
San Dimas, Ca. 91773

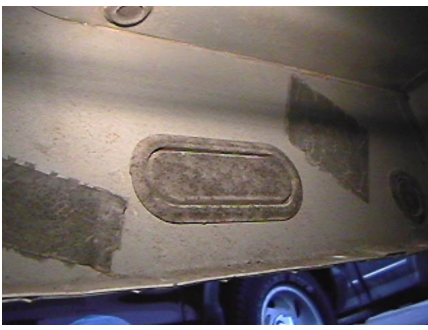
Thank you for choosing Westin products
for additional installation assistance please call
Customer Service (800) 793-7846

PROCEDURE

1. Remove contents from box, verify if all parts listed are present and free from damage. Carefully read and understand all instructions before attempting installation.
Failure to identify damage before installation could lead to a rejection of any claim.
2. Remove existing plugs from underside of cab as shown. See **FIGURE 1**.
3. Insert bolt plates as shown. See **FIGURES 1 & 3**.
NOTE: 97-98 Extended cab driver side rear bracket uses smaller bolt plate and lower bracket holes. See **FIGURES 2 & 4**.
4. Install front and rear brackets as shown. Front bracket has an identification hole. Hand tighten. See **FIGURE 2**.
5. Slide mount adapter plates on step bar as shown. Place step bar on saddle with long pad forward and end cap screw facing inward. Assemble with M6 hardware. See **FIGURES 5, 6, & 7**. Reference installation sheet, 75-0820, Oval Tube Mount Adapter Kit.
6. Make sure step bar and brackets are properly aligned with vehicle and tighten fasteners. Recommended torque values are 26 FT.LBS. for 3/8" fasteners, 7 FT.LBS. for 1/4" fasteners.



Westin Automotive Products, Inc.
 320 W. Covina Blvd
 San Dimas, Ca. 91773



STEP 1. REMOVE THE RUBBER PLUG

STEPS 2, 3, & 4. INSERT BOLT PLATE AS SHOWN



BOLT PLATE INSTALLATION FIGURE 3



STEP 1. REMOVE THE RUBBER PLUGS

STEPS 2, 3, & 4. INSERT BOLT PLATE AS SHOWN



1997-98 EXTENDED CAB 3 DOOR DRIVER SIDE REAR ONLY. BOLT PLATE INSTALLATION FIGURE 4

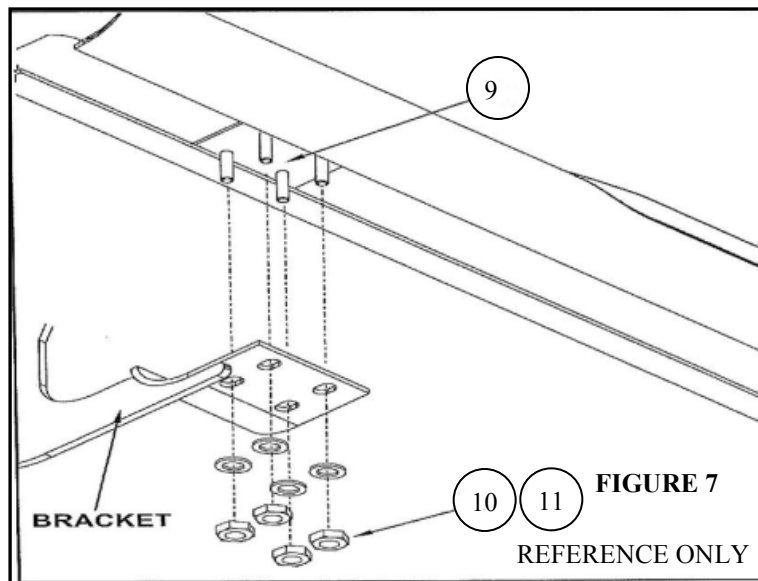
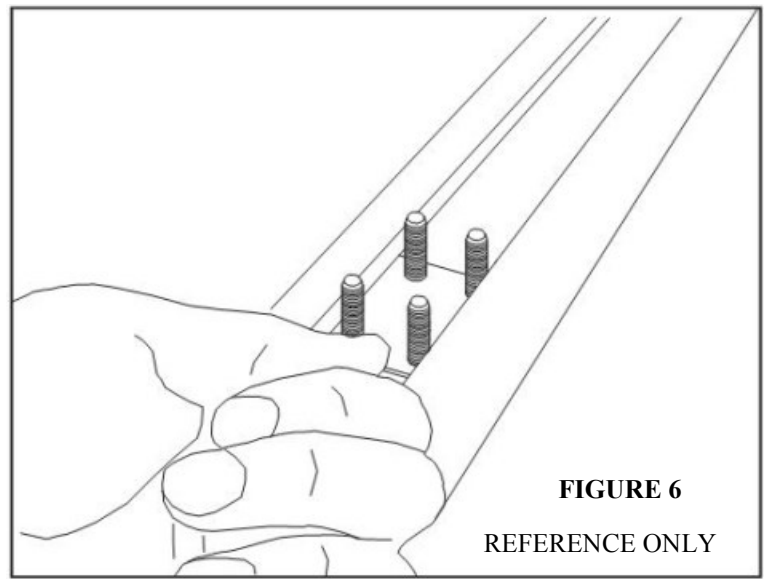
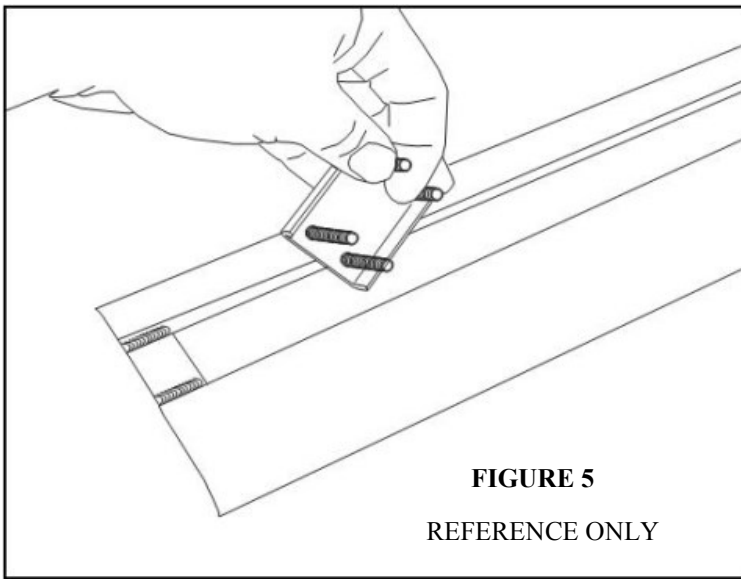


Westin Automotive Products, Inc.
320 W. Covina Blvd
San Dimas, Ca. 91773

Thank you for choosing Westin products
for additional installation assistance please call
Customer Service (800) 793-7846

www.westinautomotive.com

DATE: 07/27/16



CARE INSTRUCTIONS

- REGULAR WAXING IS RECOMMENDED. DO NOT USE ANY TYPE OF POLISH OR WAX THAT MAY CONTAIN ABRASIVES.
- STAINLESS STEEL PRODUCTS CAN BE CLEANED WITH MILD SOAP AND WATER. STAINLESS STEEL POLISH SHOULD BE USED TO POLISH SMALL SCRATCHES.
- GLOSS BLACK FINISHES SHOULD BE CLEANED WITH MILD SOAP AND WATER.



Westin Automotive Products, Inc.
320 W. Covina Blvd
San Dimas, Ca. 91773

Thank you for choosing Westin products
for additional installation assistance please call
Customer Service (800) 793-7846