



AUTOMOTIVE PRODUCTS, INC.

# INSTRUCTIONS—INSTRUCCIONES—CONSIGNES

APPLICATION: 11-12 CHEVY/GMC SILVERADO/SIERRA 2500/3500 EXTENDED CAB DIESEL  
 11-12 CHEVY/GMC SILVERADO/SIERRA 2500/3500 CREW CAB DIESEL  
 11-12 CHEVY/GMC SILVERADO/SIERRA 2500/3500 REG CAB DIESEL  
 APP PART # 23-3750, 23-3755, 23-3760, 23-3765, 23-3770, 23-3775, 23-73750, 23-73760, 23-73770  
 E SERIES STEP BARS

ITEM	QUANTITY	DESCRIPTION	TOOLS NEEDED
1	2	STEP BARS	ALLEN KEY (INCLUDED)
2	5	MOUNTING BRACKETS (2 FOR REG CAB)	13MM SOCKET
3	2	FRONT PASSENGER SIDE MOUNTING BRACKETS (UPPER)	RATCHET
4	2	FRONT PASSENGER SIDE MOUNTING BRACKET (LOWER)	TORQUE WRENCH
5	11	M8 HEX HEAD BOLTS (5 FOR REG CAB)	HAND DRILL
6	11	M8 FLAT WASHERS (5 FOR REG CAB)	3/8" DRILL BIT
7	11	M8 LOCK WASHERS (5 FOR REG CAB)	
8	14	M10 BUTTON HEAD BOLTS( STAINLESS STEEL) (10 FOR REG CAB)	
9	14	M10 TOOTHED LOCK WASHERS (STAINLESS STEEL) (10 FOR REG CAB)	
10	14	M10 FLAT WASHERS (STAINLESS STEEL) (10 FOR REG CAB)	
11	10	M8 NUT CLIPS (5 FOR REG CAB)	
12	5	M8 FLANGE BOLTS	
13	5	M8 TOOTHED LOCK WASHERS	
14	1	SLIM PROFILE REAR MOUNTING BRACKET (REG CAB ONLY)	

**ANTI-SEIZE LUBRICANT MUST BE USED ON ALL STAINLESS STEEL FASTENERS TO PREVENT THREAD DAMAGE AND GALLING.**

- Remove contents from box, verify if all parts listed are present and free from damage. Carefully read and understand all instructions before attempting installation.
- FOR 11-12 CREW CAB:** Starting from the drivers side of the vehicle locate the threaded hole located in the rocker panel towards the front of the vehicle. Take (1) mounting bracket and attach it to the threaded hole using (1) M8 hex head bolt, (1) M8 lock washer, and (1) M8 flat washer . Locate the existing hole in the pinch weld and place (1) M8 clip nut onto the hole, attach the mounting bracket to the pinch weld using (1) M8 flange bolt, and (1) M8 toothed locked washer (FIG. 1). Do not fully tighten at this time
- Remove the rubber plug from the bigger hole to access the smaller OD hole, and insert (1) M8 nut clip over the hole, attach (1) mounting bracket to the previously installed nut clip using (1) M8 hex head bolt, (1) M8 lock washer, and (1) M8 flat washer. Locate the existing hole in the pinch weld and place (1) M8 clip nut onto the hole, attach the mounting bracket to the pinch weld using (1) M8 flange bolt, and (1) M8 toothed lock washer (FIG. 2& 3). Do not fully tighten at this time
- Move to the circular hole located at the rear of the vehicle and repeat step 3.
- Move to the passenger side and locate the factory hole in the pinch weld, align the center mounting point of the lower front passenger side mounting bracket with this hole (FIG. 4) . Mark the outer two holes on the lower bracket on the pinch weld and drill two 3/8" holes in the pinch weld (FIG. 5). Take the upper front passenger side mounting bracket, and the lower front passenger side mounting bracket and attach them to the pinch weld using (3) M8 hex head bolts, (3) M8 lock washers, and (3) M8 flat washers (FIG. 6). Repeat this step for the next mounting bracket.
- Repeat step 4 for the next two mounting brackets



Westing Automotive Products, Inc.  
 5200 N. Irwindale Ave. Suite 220  
 Irwindale, Ca. 91706

7/5/12

P.N.: 75-0389-RevA ECO #: W12-0041

PG-1

Thank You for choosing Westin products  
 For Additional installation assistance please call  
 Customer service (800) 793-7846  
[www.westinautomotive.com](http://www.westinautomotive.com)

7. Take the drivers side step bar and place it on the mounting cradles attach the step bar using (8) M10 button head bolts, (8) M10 toothed lock washers, and (8) M10 flat washers (FIG. 7). Do not fully tighten at this time. Repeat this step for the passenger side step bar.
  8. Align and adjust step bars as needed then fully tighten all hardware at this time. Torque M10 hardware to 30-35 ft lbs, and M8 hardware to 25 ft lbs.
1. **FOR 11-12 EXTENDED CAB:** Starting at the drivers side of the vehicle locate the existing circular hole in the rocker panel towards the front of the vehicle. Remove the rubber plug from the bigger hole to access the smaller OD hole and insert (1) M8 nut clip over the hole, attach (1) mounting bracket to the previously installed nut clip using (1) M8 hex head bolt, (1) M8 lock washer, and (1) M8 flat washer. Locate the existing hole in the pinch weld and place (1) M8 clip nut onto the hole, attach the mounting bracket to the pinch weld using (1) M8 flange bolt, and (1) M8 toothed lock washer (FIG. 2&3). Do not fully tighten at this time. Repeat step 1 for all of the mounting locations on the drivers side,.
  2. Move to the passenger side and locate the factory hole in the pinch weld, align the center mounting point of the lower front passenger side mounting bracket with this hole (FIG. 4). Mark the outer two holes on the lower bracket on the pinch weld and drill two 3/8" holes in the pinch weld (FIG. 5). Take the upper front passenger side mounting bracket, and the lower front passenger side mounting bracket and attach them to the pinch weld using (3) M8 hex head bolts, (3) M8 lock washers, and (3) M8 flat washers (FIG. 6). Repeat this step for the next mounting bracket.
  3. Repeat step 2 for the next two mounting brackets.
  4. Take the drivers side step bar and place it on the mounting cradles attach the step bar using (8) M10 button head bolts, (8) M10 toothed lock washers, and (8) M10 flat washers (FIG. 7). Do not fully tighten at this time. Repeat this step for the passenger side step bar.
  5. Align and adjust step bars as needed then fully tighten all hardware at this time. Torque M10 hardware to 30-35 ft lbs, and M8 hardware to 25 ft lbs.
1. **FOR 11-12 REG CAB:** Starting from the drivers side of the vehicle locate the threaded hole located in the rocker panel ( IF THREADED HOLES DO NOT EXIST MOVE TO STEP 2 FOR MOUNTING ) towards the front of the vehicle. Take (1) mounting bracket and attach it to the threaded hole using (1) M8 hex head bolt, (1) M8 lock washer, and (1) M8 flat washer . Locate the existing hole in the pinch weld and place (1) M8 clip nut onto the hole, attach the mounting bracket to the pinch weld using (1) M8 flange bolt, and (1) M8 toothed locked washer (FIG. 1). Do not fully tighten at this time
  2. Remove the rubber plug from the bigger hole to access the smaller OD hole, and insert (1) M8 nut clip over the hole, attach (1) mounting bracket to the previously installed nut clip using (1) M8 hex head bolt, (1) M8 lock washer, and (1) M8 flat washer. Locate the existing hole in the pinch weld and place (1) M8 clip nut onto the hole, attach the mounting bracket to the pinch weld using (1) M8 flange bolt, and (1) M8 toothed lock washer (FIG. 2& 3). Do not fully tighten at this time
  3. Repeat steps 1 or 2 for all mounting brackets on the drivers side.
  4. Move to the passenger side and locate the factory hole in the pinch weld, align the center mounting point of the lower front passenger side mounting bracket with this hole (FIG. 4). Mark the outer two holes on the lower bracket on the pinch weld and drill two 3/8" holes in the pinch weld (FIG. 5). Take the upper front passenger side mounting bracket, and the lower front passenger side mounting bracket and attach them to the pinch weld using (3) M8 hex head bolts, (3) M8 lock washers, and (3) M8 flat washers (FIG. 6). Repeat this step for the next mounting bracket.
  5. Locate the slim profile rear mounting bracket (ONLY FOR REG CAB) and attach as stated in step 1 or 2.

## CARE INSTRUCTIONS

- REGULAR WAXING IS RECOMMENDED. DO NOT USE ANY TYPE OF POLISH OR WAX THAT MAY CONTAIN ABRASIVES
- STAINLESS STEEL PRODUCTS CAN BE CLEANED WITH MILD SOAP AND WATER. STAINLESS STEEL POLISH SHOULD BE USED TO POLISH SMALL SCRATCHES.
- GLOSS BLACK FINISHES SHOULD BE CLEANED WITH MILD SOAP AND WATER



Westin Automotive Products, Inc.  
5200 N. Irwindale Ave. Suite 220  
Irwindale, Ca. 91706

7/5/12

P.N.: 75-0389-RevA

ECO #: W12-0041

PG-2

Thank You for choosing Westin products  
For Additional installation assistance please call  
Customer service (800) 793-7846  
[www.westinautomotive.com](http://www.westinautomotive.com)



Fig 1



Fig 2

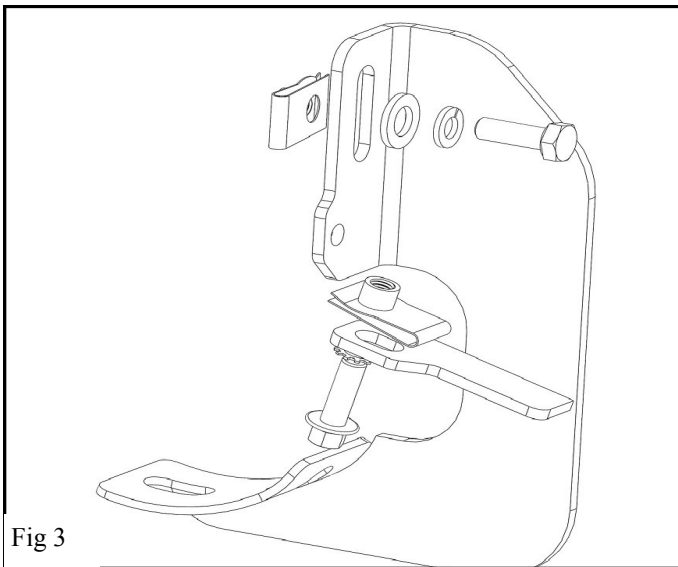


Fig 3

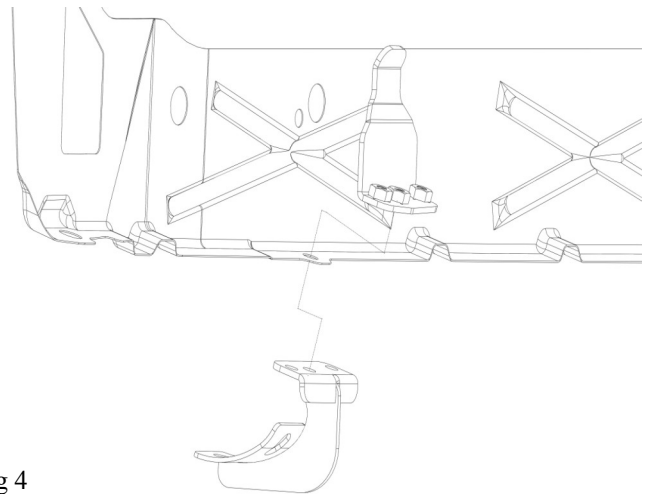


Fig 4



Westing Automotive Products, Inc.  
 5200 N. Irwindale Ave. Suite 220  
 Irwindale, Ca. 91706

7/5/12

P.N.: 75-0389-RevA

ECO #: W12-0041

PG-3

Thank You for choosing Westin products  
 For Additional installation assistance please call  
 Customer service (800) 793-7846  
[www.westinautomotive.com](http://www.westinautomotive.com)

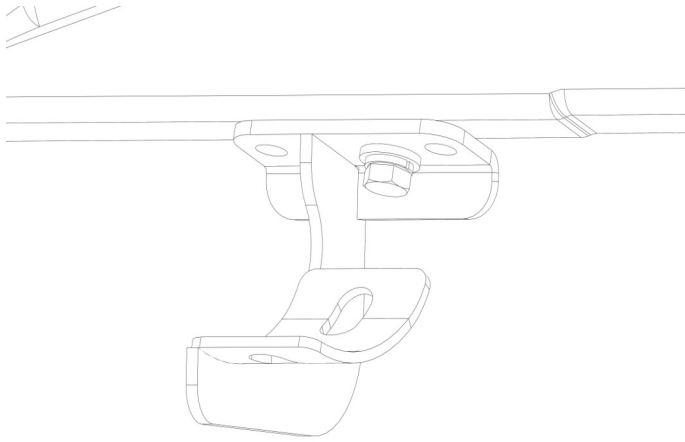


Fig 5

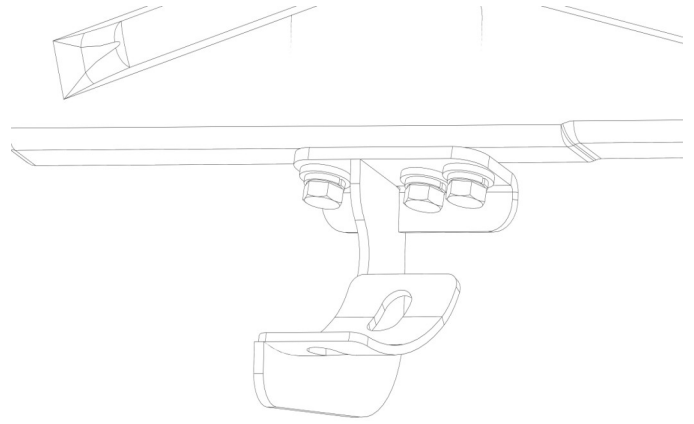


Fig 6



Westing Automotive Products, Inc.  
5200 N. Irwindale Ave. Suite 220  
Irwindale, Ca. 91706

7/5/12

P.N.: 75-0389-RevA

ECO #: W12-0041

PG-4

Thank You for choosing Westin products  
For Additional installation assistance please call  
Customer service (800) 793-7846  
[www.westinautomotive.com](http://www.westinautomotive.com)