

**Part Number(s): Multiple**

**WARNING: IMPROPER INSTALLATION WILL RESULT IN BED LINER FLYING OUT OF THE TRUCK.**

**FOLLOW INSTRUCTIONS EXACTLY.**

**IMPORTANT: Never cut or put slits through any seams or sewn areas of the bed liner, unless specifically detailed in these instructions. This will cause the seam to come completely apart.**

**Kit Contents**

Item #	Quantity Req'd.	Description
1	1	Bed liner floor/tailgate assy
2	1	Bed liner bulkhead/sidewall assy
3	1	Hardware kit

**General Applicability**

Multiple
----------





**Additional Items Required For Installation**

Item #	Quantity Req'd.	Description

**Recommended Tools**

<b>Personal &amp; Vehicle Protection</b>	<b>Notes</b>
Safety Glasses	
Gloves	
<b>Special Tools</b>	<b>Notes</b>
	Tool required to remove tie downs (unique to vehicle)
<b>Installation Tools</b>	<b>Notes</b>
Utility Knife	Use to cut slits or trim bed liner for cargo mgmt. systems, bed acc. lights, etc.
Awl	Use to locate tie down fasteners. Holes to be placed in bed liner
<b>Special Chemicals</b>	<b>Notes</b>
Approved cleaner	Rubbing Alcohol

**Legend**

	<b>STOP:</b> Damage to the vehicle may occur. Do not proceed until process has been complied with.
	<b>OPERATOR SAFETY:</b> Use caution to avoid risk of injury.
	<b>CAUTION:</b> A process that must be carefully observed in order to reduce the risk of damage to the accessory/vehicle and to ensure a quality installation.
	<b>TOOLS &amp; EQUIPMENT:</b> Calls out the specific tools and equipment recommended for this process.

## Procedure

This document covers such items as:

- Vehicle Preparation (use of cleaners, adhesive promoters, etc.).
- Bed liner installation.
- Safety (rechecking torque procedure, etc.).

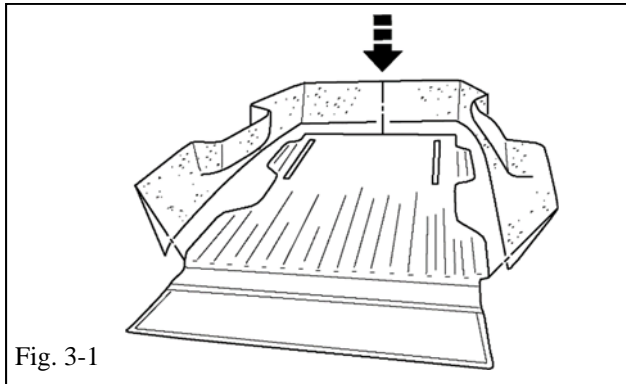


Fig. 3-1

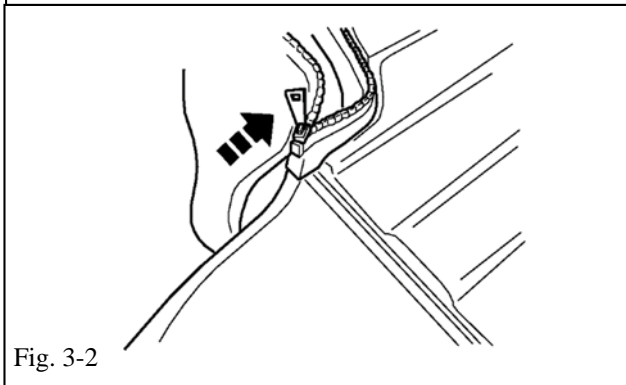


Fig. 3-2

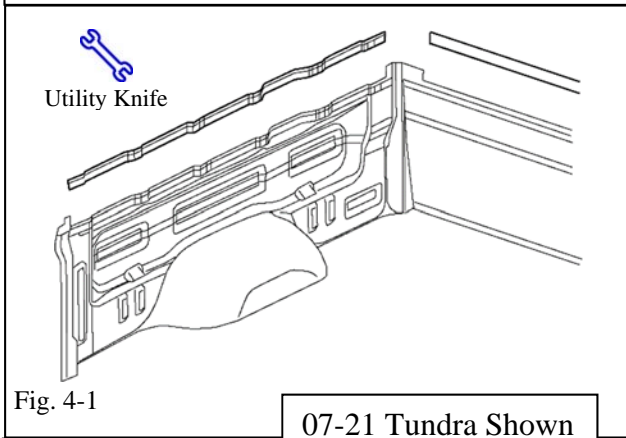


Fig. 4-1

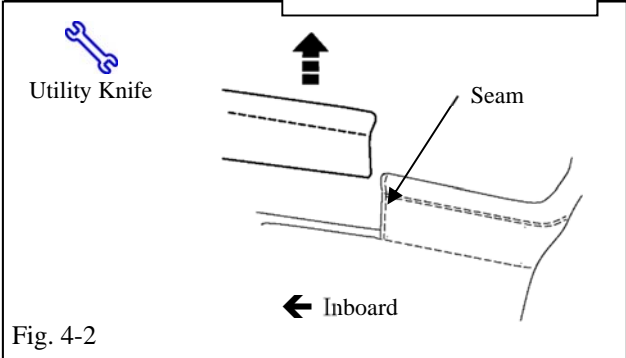


Fig. 4-2

### 1. Check Kit Content.



- Verify that the kit contains all the parts listed in the Kit Contents.

### 2. Vehicle Preparation.



- Wash and Dry the Bed and Tailgate areas thoroughly.
- IMPORTANT:** Review all instructions before beginning installation. Truck bed should be at least 68°F (20°C) for maximum adhesion. Clean all areas with an approved cleaner before applying tape. Do not remove backing from any tape until ready to adhere to the truck bed. When removing backing, do not touch adhesive. Extra adhesive strips have been provided in the kit for future use or if the installer deems more fasteners are necessary for better fit/appearance.

### 3. Pre-assemble Bed Liner.

- Align the sides of the bed liner as shown. **NOTE: BED LINER FLOOR IS FACE DOWN FOR THIS OPERATION.** (Fig 3-1)
- Once properly aligned, zip sides into place. (Fig 3-2)

### 4. Pre-fitting Bed Liner.



- Before proceeding with installation, verify whether or not the bed of the vehicle has a bedrail cargo management system installed.

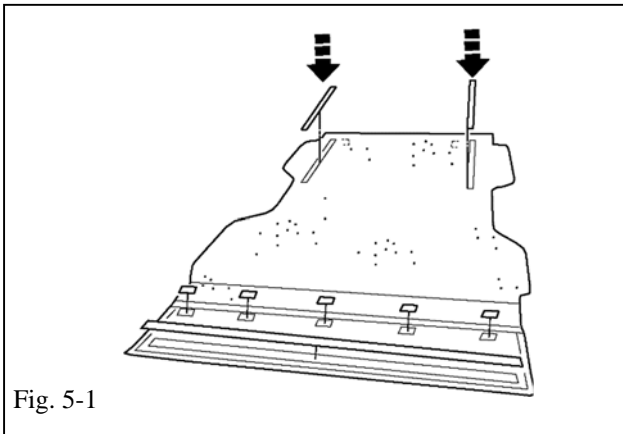


- For **Jeep Gladiator** with rails, remove side rails and bulkhead rail before installing BedRug. Reinstall rails on BedRug once BedRug is installed. Hook fasteners are not necessary when rails are bolted on top of BedRug.



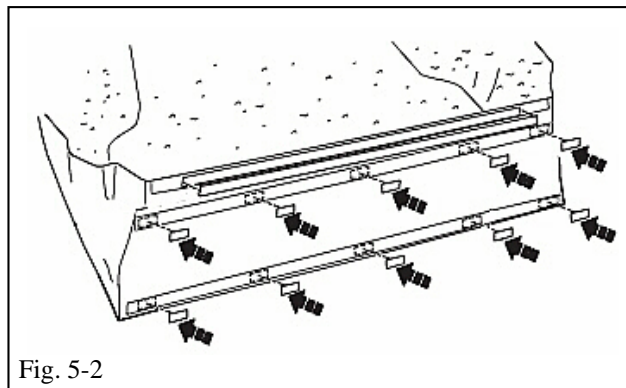
- For 07-21 Toyota Tundra, trim off sections of the sides and/or bulkhead area if a bedrail is present. (Fig. 4-1) These trim lines are located on the back side of the side walls and bulkhead, and will vary depending on application. The BedRug bulkhead has vertical seams sewn on both sides, cut inboard of the seam. (Fig 4-2)

- (d) If no bedrail is present, proceed with Step 5.



### 5. Installing fasteners to Bed Liner.

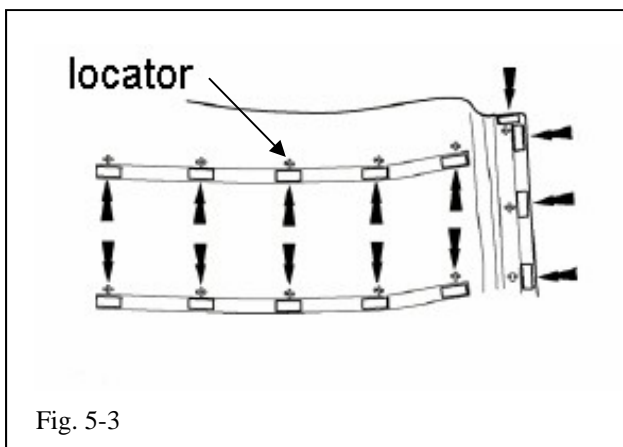
- (a) Attach (2) 1" X 36", 1" X 2" and 1" X 60" hook to underside of the bed liner and tailgate. Trim 1" X 60" strip where necessary. **Do not remove adhesive protective film at this time.** (Fig 5-1)



- (b) Attach 1" X 60" and 1" X 2" hook to the bed liner bulkhead area facing the front as shown. Trim excess from 1" X 60" strip where necessary. **Do not remove adhesive protective film at this time.** (Fig. 5-2)



Middle 1" x 2" row of hook fasteners shown are not applicable on some models.



- (c) Attach 1" X 2" fasteners to the back sides of the bed liner sidewalls as marked by locators. **Do not remove adhesive protective film at this time.** (Fig 5-3)

## Procedure

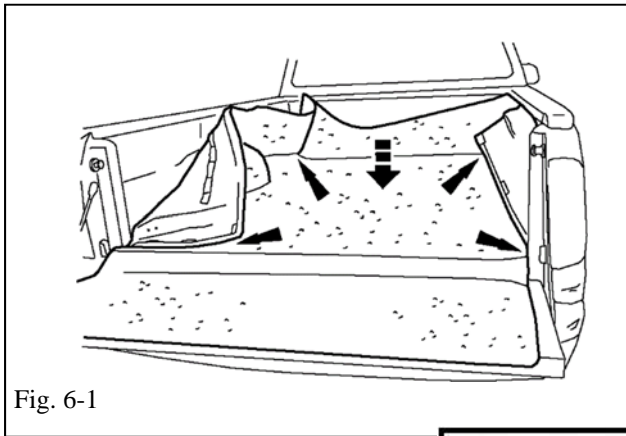


Fig. 6-1

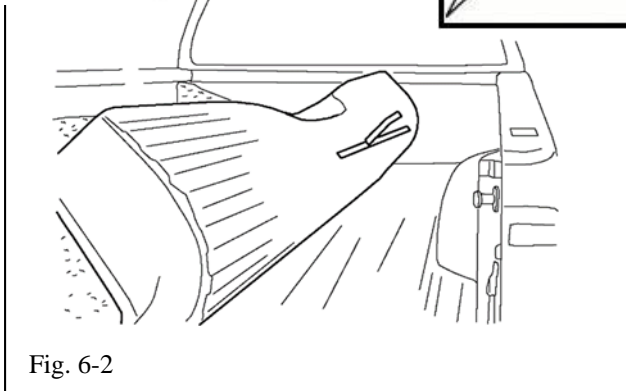
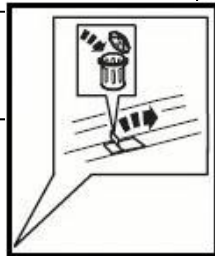
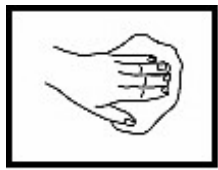


Fig. 6-2

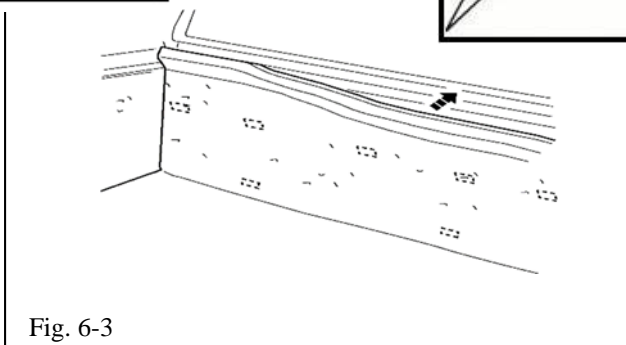
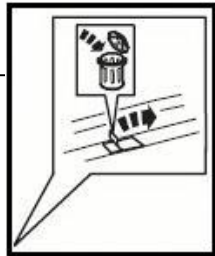


Fig. 6-3

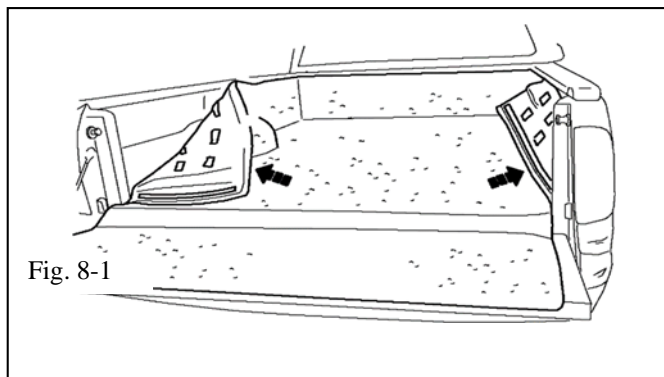
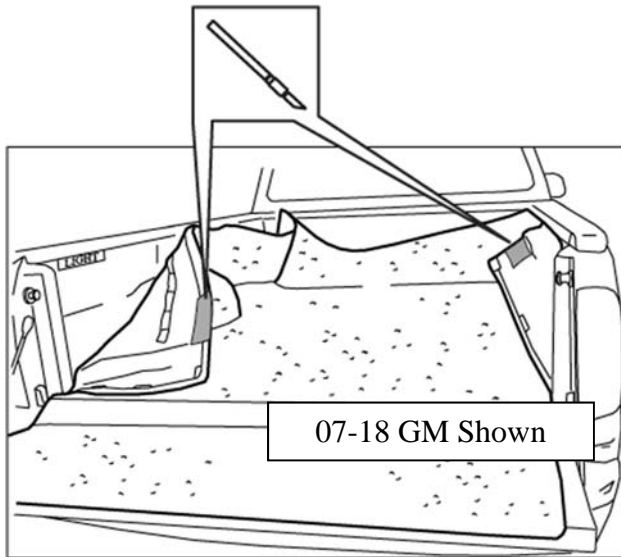
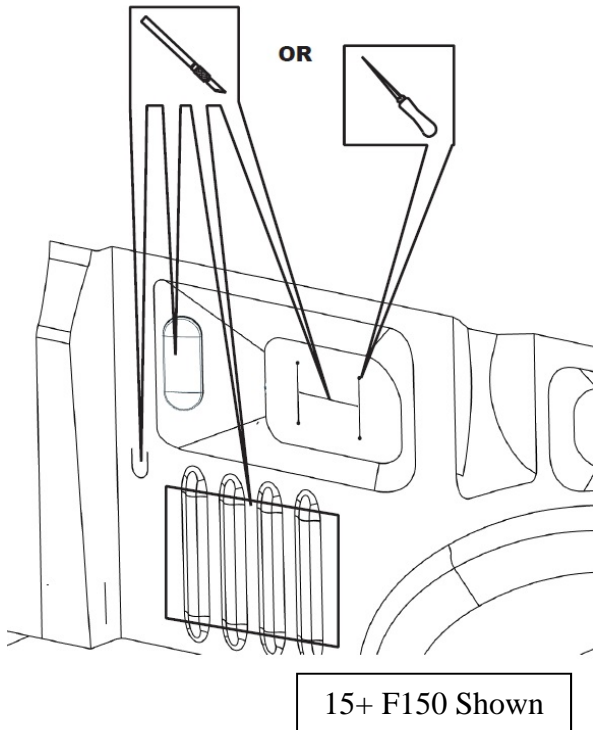
## 6. Installing Bed Liner floor and bulkhead

- (a) Locate bed liner in the truck bed.
- (b) Position the bed liner - front to rear and left to right by aligning all edges and tucking corners into place. (Fig 6-1)
- (c) Roll the bed liner floor to you, exposing the 1"x36" fastener located on the bed liner bottom.
- (d) Clean attachment area thoroughly with alcohol and allow to dry.
- (e) Remove the film. (Fig 6-2)
- (f) Roll the bed liner floor and sidewalls back in place.
- (g) Firmly press the bed liner top surface for 15 seconds to ensure adhesive attachment.
- (h) Repeat for other side
- (i) Fit top edge of bed liner bulkhead to top edge of body panel to determine best location. (Fig 6-3)



**Be sure fasteners are located on a flat solid surface of truck bed.**

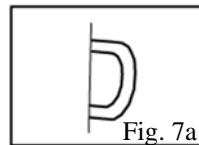
- (j) Clean attachment areas thoroughly with alcohol and allow to dry.
- (k) Remove the film working from bottom to top and center of part outboard.
- (l) Roll the bed liner top edge back in place.
- (m) Firmly press the bed liner top surface for 15 seconds to ensure adhesive attachment.



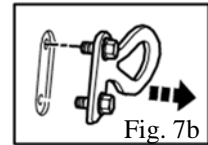
## 7. Fitting Bed Liner for beds with tie-down hooks or other optional features

**!** Some truck beds are equipped with tie-down hooks, load extenders, accessory lights, power inverter outlet and other functional equipment located in the floor or sidewalls. For these the installer must either:

- Cut a small slit or opening in the appropriate area allowing the equipment to protrude through the bed liner surface (This will not damage the bed liner) or,
- Remove the equipment until the bed liner installation is complete, then reinstall the equipment on top of the bed liner.



-OR-



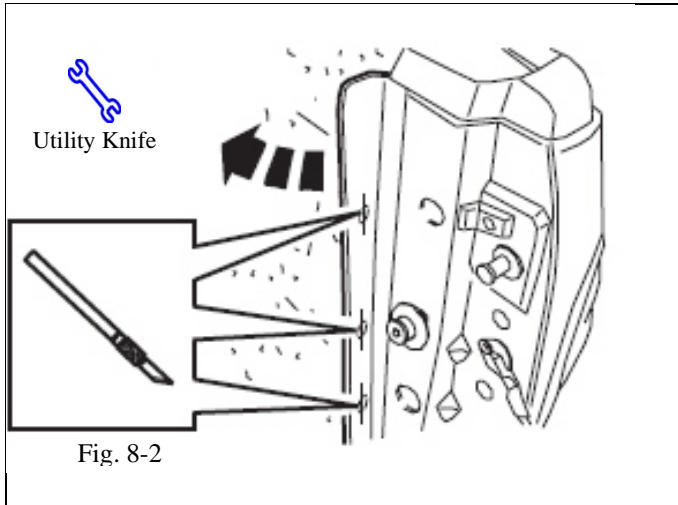
**!** Do not cut through any seams or sewn lines.

**TIP:** It is easiest to locate fastener holes with an awl after bed liner is positioned for best fit.

**+** Be sure to re-torque tie down fasteners to the OEM specs.

## 8. Installing Bed Liner sidewalls

- Rear vertical edge of bed liner should be positioned to match D-pillar surface. Start at front and working rearward begin removing film from fasteners bottom to top and from front to back. Firmly press the bed liner sidewall for 15 seconds to ensure adhesive attachment. Repeat for other side. (Fig 8-1)



**NOTE: If using the bed liner in conjunction with a bed extender, cut the slits (located on back of part) of the D-pillar area to allow access to attachment holes. (Fig 8-2) The size and number of slits will vary depending on the application**

## 9. Installing Bed Liner tailgate

### FOR 05+ TACOMA MODELS:

Remove screws from the tailgate cap. **DO NOT REMOVE THE CAP.**

Slide the top of the bed liner tailgate section underneath the cap and align the holes with the screw holes.

Reinstall the screws using the spacers as shown (Fig. 9-1)

Install hook fasteners on bottom edge of tailgate, remove the film, then proceed to step (e) below.

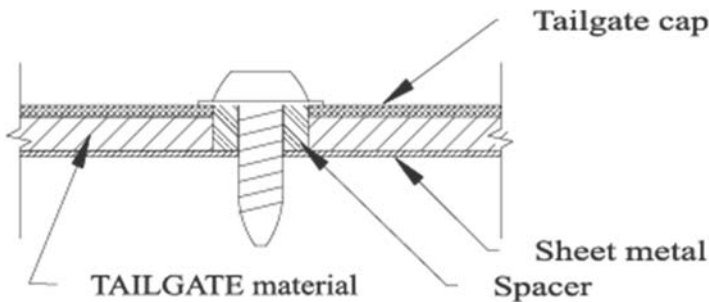


Fig. 9-1

### FOR ALL OTHER MODELS:

- (a) Rotate the bed liner up to access tailgate fasteners.
- (b) Clean attachment areas thoroughly with alcohol and allow to dry.
- (c) Apply adhesive promoter to plastic cap. (if applicable)
- (d) Remove the film and align the edge of the bed liner tailgate section to the top edge of the tailgate. (Fig 9-2)



**Do not adhere the hook fastener to the factory plastic tailgate cap unless a 4298 adhesive promoter pack is included in the hardware kit. Most models are designed to adhere to sheet metal just below plastic tailgate cap.**

- (e) Roll the bed liner tailgate back in place.
- (f) Firmly press the bed liner tailgate for 15 seconds to ensure adhesive attachment.
- (g) After installation is complete, tuck bed liner material between the tailgate and truck bed.

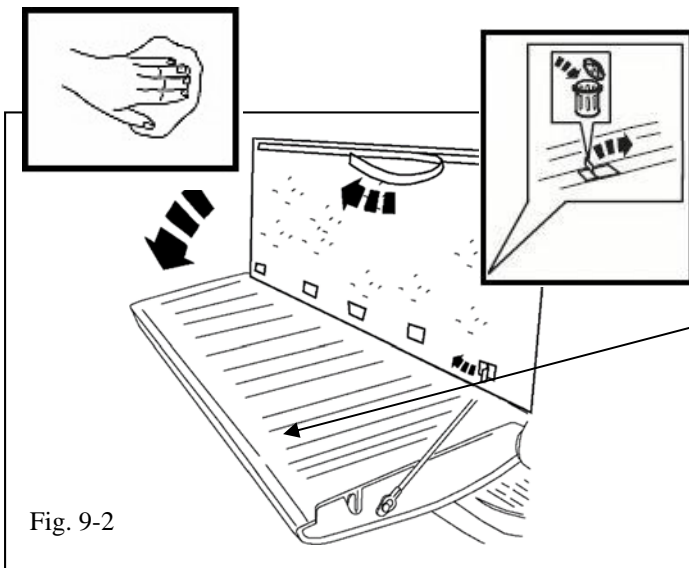


Fig. 9-2