



**Assembly, Installation, Operation and
Maintenance Instructions
Relocation Bracket Bumper**

**Part Number:
FLDB010SP**

60 minutes

Dealer / Installer: Provide a copy of these instructions to the end user of this product. These instructions provide important operating and safety information for proper usage of this product. Demonstrate the proper use of the product with the end user. Have the end user demonstrate that they understand the proper use of the product.

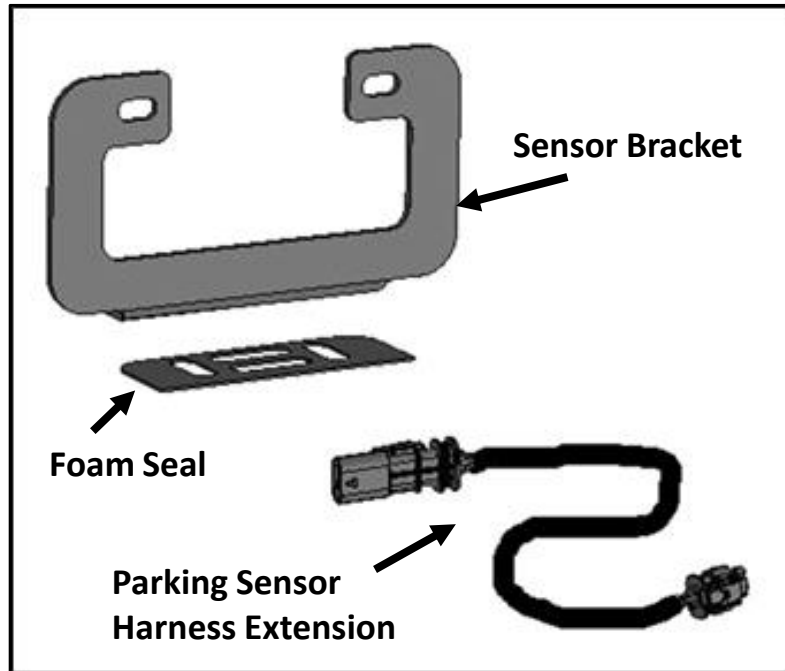
End User: Read and follow all instructions included in this manual. Ask your Dealer / Installer for assistance if you do not understand the proper use of the product. Never remove any decals from the product. Failure to follow these instructions can result in injury or death.

⚠️ WARNING ⚠️

APPLICATION: 2021 Ford F150 – Adaptive Cruise Control Bracket (ACC)

Parts List:

Description	Qty
ACC Sensor Main Bracket	1
110mm x 40mm x1mm Foam Gasket	1
Wire Harness Extension	1
8-1.25mm x 25mm Button Head Bolts	3
8mm x 24mm x 2mm Flat Washers	6
8mm Lock Washers	3
8mm Hex Nuts	3
6-1.0mm x 25mm Button Head Bolts	2
6mm x 18mm x 1.6mm Flat Washers	2
6mm Lock Washers	2
6mm Flange Nuts	2
Tools Required	
5mm Wrench	1
4mm Wrench	1



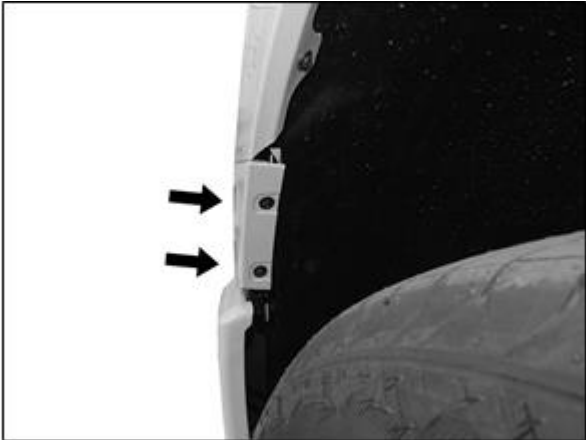
INSTALLATION PROCEDURE:

REMOVE CONTENTS FROM BOX. VERIFY ALL PARTS ARE PRESENT. READ INSTRUCTIONS CAREFULLY BEFORE STARTING INSTALLATION. CUTTING/DRILLING IS REQUIRED. IMPORTANT: MODELS WITH CHROME—GRILLE SENSOR RELOCATION INSTALLATION NOT RECOMMENDED.

1. Locate and remove the screws attaching the ends of the plastic body panel, (fascia), to the wheel openings, **(Figure 1)**. **NOTE:** The fascia panel is the long body panel located below the headlights and grille.
2. Open the hood and remove the plastic cover from the top of the grille, between the grille and the radiator, **(Figure 2)**. Remove the hardware attaching the top and bottom of the grille. Unplug any wire harnesses leading to the grille and inner shutter mechanism. Carefully pull the grill out and move it to a stable, clean work surface. On some models, it may be necessary to loosen both headlights to remove the grille.
3. Disassemble the factory bumper to unplug and remove the ACC sensor and bracket assembly, **(Figures 3 & 4)**. **NOTE:** Sensor is located behind the driver/left side of the factory bumper.
4. Carefully remove the sensor from the factory bracket.
5. Select the Relocation Bracket. Attach the Foam Seal to the bottom of the Bracket, **(Figure 5)**.
6. Attach ACC sensor to the **back** of the Bracket with the included (2) 6mm x 25mm Button Head Bolts, (2) 6mm Lock Washers, (2) 6mm Flat Washers and (2) 6mm Flange Nuts, **(Figure 6)**.
7. Remove the plastic cover from the bottom of the grille, **(Figure 7)**. **NOTE:** Cover will not be reinstalled.
8. Remove the plastic hold down bracket from the back of the shutter mechanism on the grille, **(Figure 8)**. Temporarily remove the bottom (4) driver/left shutter blades, **(Figure 9)**.
9. Insert the sensor and Bracket assembly into the back of the grille. With sensor facing forward, find a flat location on the bottom of the grille for the Bracket, **(Figure 10)**. Make sure the sensor assembly is pointed straight forward only.
10. Mark the location of the slots on the Bracket onto the grille, **(Figure 10)**. Drill (3) 5/16" holes through the marked locations on the grille. **IMPORTANT:** Make sure there is clearance for hardware before drilling. Avoid any plastic ribs on the grille.
11. Next, cut an approximately 2" x 1" hole in the bottom of the grille for the sensor plug, **(Figure 11)**.
12. Attach the Bracket with sensor to the grille with the included (3) 8mm x 25mm Button Head Bolts, (6) 8mm Flat Washers, (3) 8mm Lock Washers and (3) 8mm Hex Nuts, **(Figure 12)**.
13. Adjust the sensor to clear the bars on the grille. When properly installed, sensor should be pointed directly forward. Tighten all sensor Bracket hardware.
14. Locate the wire harness behind the bumper leading to the sensor, **(Figure 14)**. Unwrap the outer cover to locate and separate the wires for the ACC sensor plug only. This will allow the sensor harness to extend up to the new mounting location. Use the included Harness Extension to extend the reach of the factory harness to the outer parking sensor. Check length with grille temporarily held in place and once properly extended, rewrap all wires.
15. With assistance, place the grille in position but leave loose. Push the harness plug up through the hole in the grille, **(Figure 15)**. **NOTE:** A hole for wiring harness must be drilled through the plastic cover on bottom of grille for reinstallation, **(Figures 7 & 11)**. Reinstallation is optional.
16. Plug the harness into the ACC sensor. Reinstall (1) shutter blade and mechanism, **(Figure 13)**. **NOTE:** (3) bottom shutter blades will not be reinstalled.
17. Fully attach the grille, headlights, top cover and fascia body panel, **(Figure 16)**.
18. Do periodic inspections to the installation to make sure that all hardware is secure and tight.

INSTALLATION PROCEDURE CONTINUED:

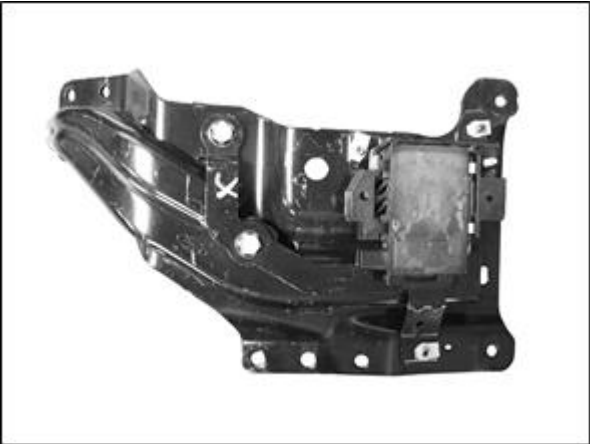
By installing this product, you are accepting liability for potential changes in the characteristics/sensitivity of your adaptive cruise control system. After installation of this product, your adaptive cruise control module may require recalibration by a Ford technician.



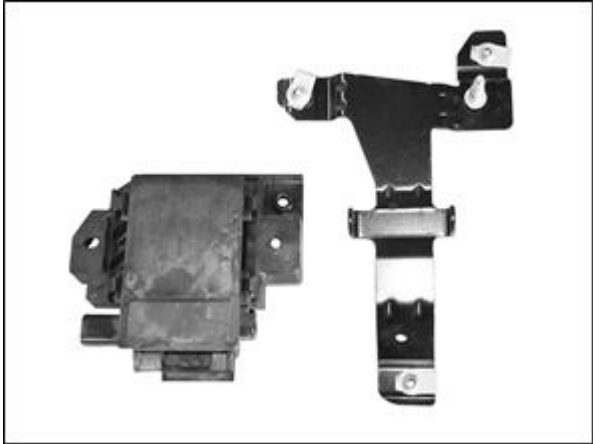
(Fig 1) Remove screws attaching end of fascia body panel to wheel openings. Pull fascia outward to release from clips and remove



(Fig 2) Remove cover from top of grille (arrow). Remove hardware attaching top and bottom of grille and remove grille

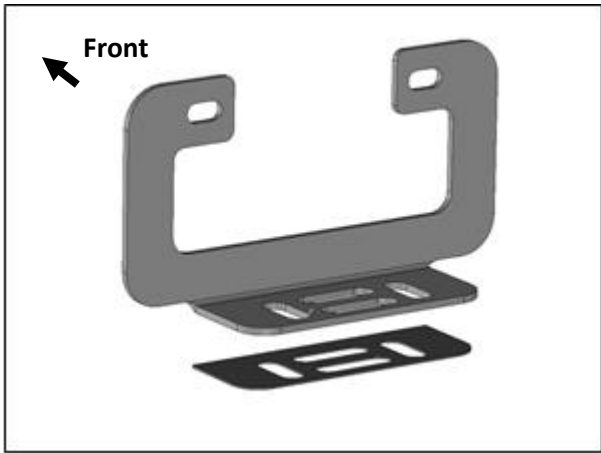


(Fig 3) Driver/left bumper bracket assembly with sensor and bracket



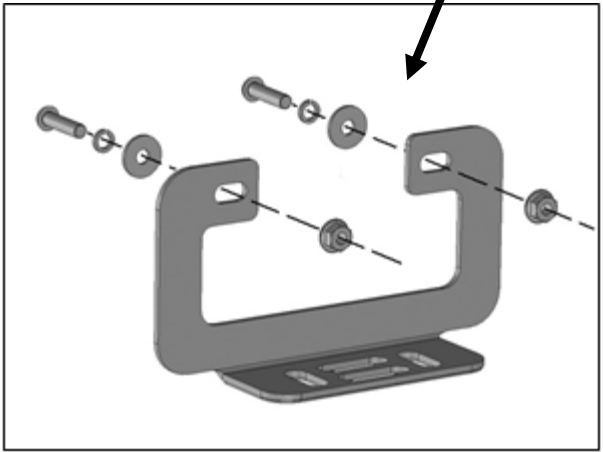
(Fig 4) Remove sensor from mounting bracket

INSTALLATION PROCEDURE CONTINUED:

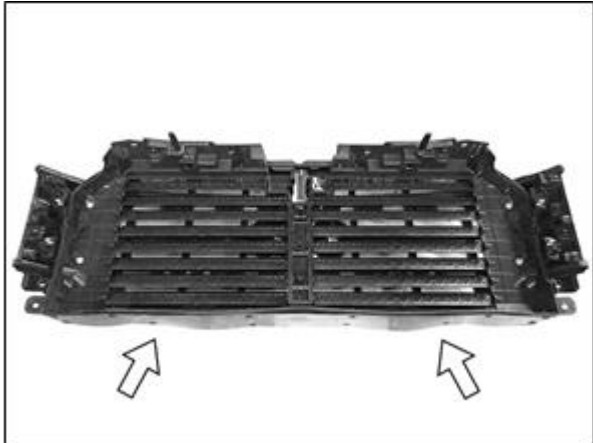


(Fig 5) Apply seal to bottom of Relocation Bracket

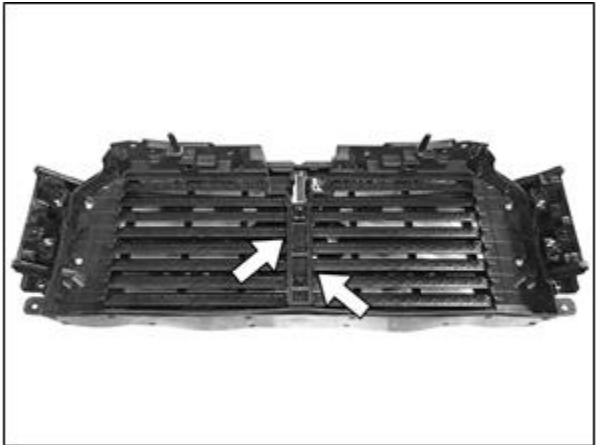
- (2) 6mm x 25mm Button Head Bolts
- (2) 6mm Lock Washers
- (2) 6mm Flat Washers
- (2) 6mm Flange Nuts



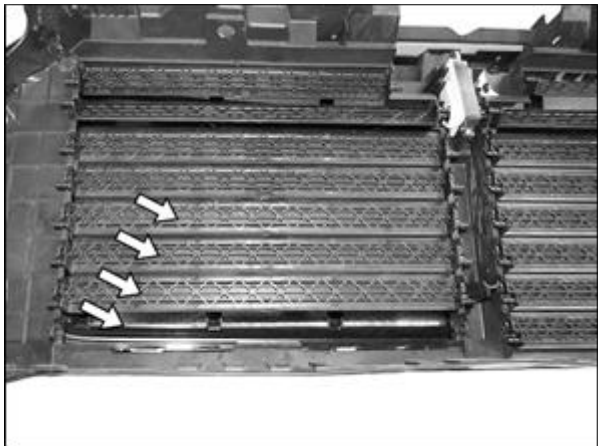
(Fig 6) Attach sensor to back Bracket



(Fig 7) Remove cover from bottom of grille



(Fig 8) Remove plastic cover from center of grille (arrows)

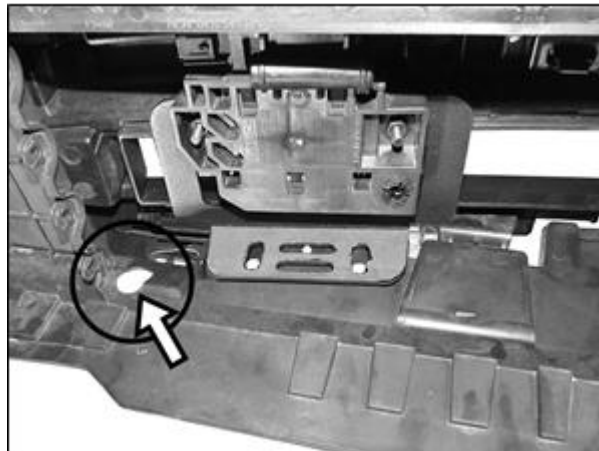


(Fig 9) Remove the (4) shutters from the driver/left side of the grille (note bottom shutter not pictured)

INSTALLATION PROCEDURE CONTINUED:

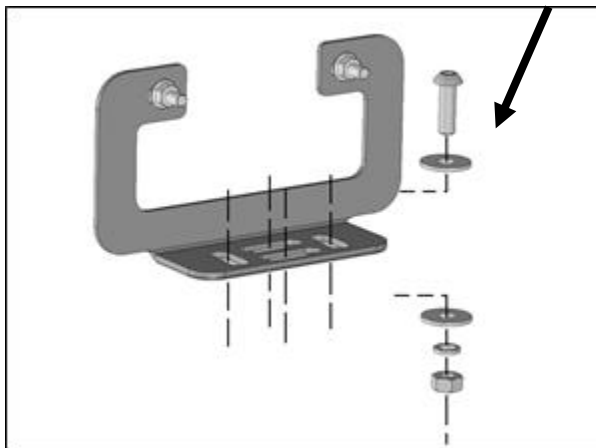


(Fig 10) Line up Bracket on flat area between arrows and with sensor pointed straight forward. Mark location of slots onto grille. Use 5/16" drill bit to drill the mounting holes

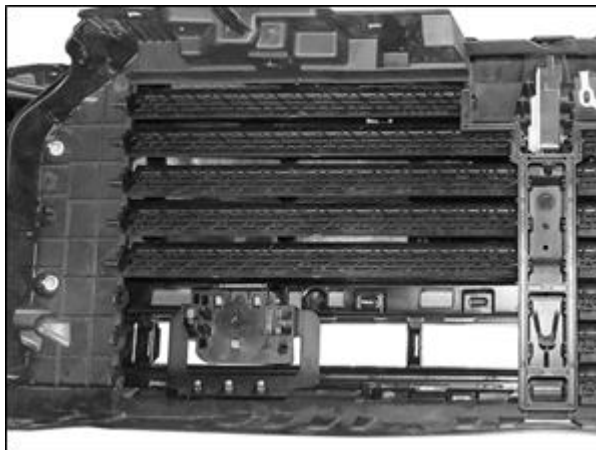


(Fig 11) Drill an access hole to pass the wiring harness for the sensor up and through the bottom of the grille

- (3) 8mm x 25mm Button Head Bolts**
- (6) 8mm Flat Washers**
- (3) 8mm Lock Washers**
- (3) 8mm Hex Nuts**

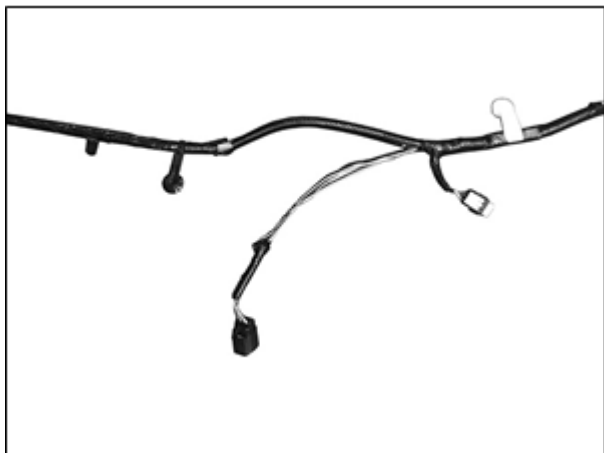


(Fig 12) Attach sensor assembly to the grille

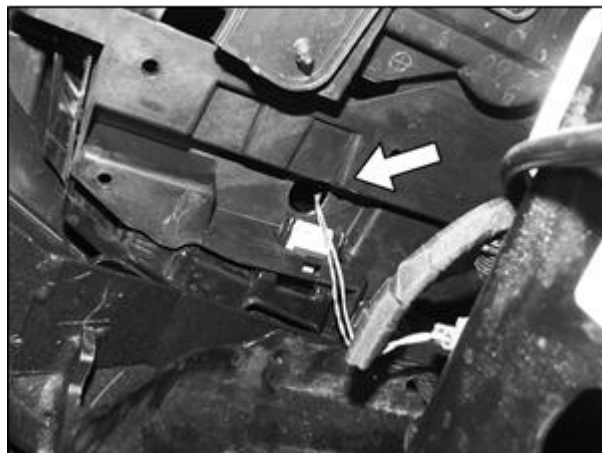


(Fig 13) Sensor installed. Reinstall the shutter closest to the sensor, bottom (3) shutter blades will not be reinstalled

INSTALLATION PROCEDURE CONTINUED:



(Fig 14) Unwrap the section of the wiring harness for the ACC sensor



(Fig 15) Insert harness through opening, (Fig 11), and up to sensor. Check length. Rewrap wiring harness. Use the included Wiring Harness Extension to extend the factory parking sensor harness in the bumper. Reinstall grille and plug in harness



(Fig 16) Reinstall grille and plug in harness

PRODUCT CARE

- Periodically check the product to ensure all fasteners are tight and components are intact.
- Regular waxing is recommended to protect the finish of the product. Use ONLY Non-Abrasive automotive wax. Use of any soap, polish or wax that contains an abrasive is detrimental and can scratch the finish leading to corrosion.
- Aluminum polish may be used to polish small scratches and scuffs for Stainless Steel finish.
- Mild soap may be used to clean the product for both Stainless Steel and Black finish.

FAQ'S

- **Hardware and mounting brackets are not aligning properly**
 - Ensure that hardware is being used on the correct side of the vehicle. In some cases, the hardware may appear same for driver or passenger side but may alter the alignment of mounting location. Check mounting brackets for both sides.
- **Products are thumping / rattling after installation**
 - Ensure that all required mounting brackets / hardware's are installed & tighten correctly. Suggest using white lithium / regular grease between metal-to-metal contact.
- **Missing / Excess Hardware**
 - Recheck hardware count as per the part list.
- **Product not installing properly**
 - Ensure the Year / Make / Model as well as cab and bed dimensions are correct for the application. Review all steps for installation to ensure they were followed correctly.
- **Who should be contacted for questions regarding product / installation assistance?**
 - www.trailfx.com / support@trailfx.com 1-(866) 638-4870

Warranty Terms:

3 Year Limited Warranty:

TrailFX and Keystone Automotive Operations Inc. make no guarantees or warranties for products not manufactured by Keystone Automotive Operations Inc. Such products are covered solely under any applicable warranty of the manufacturer. It is always recommended that the operating instructions and warranty instructions provided by the manufacturer are followed.

Keystone Automotive Operations Inc. warrants its products to be free from manufacturing and material defects to the original purchaser for the length of warranty stated above from the date of retail purchase. If any products are found to have a manufacturing or material defect, the product will be replaced or repaired at the option of TrailFX and Keystone Automotive Operations Inc. with proof of purchase by the original purchaser. The original purchaser shall pay all transportation and shipping costs associated with the return of the defective product and the defective product shall become the property of Keystone Automotive Operations Inc.

The Warranty applies to Keystone Automotive Operations Inc. products used for individual and recreational purposes. Commercial usage of the Keystone Automotive Operations Inc. products limits the warranty to 90-days from date of purchase.

The Warranty applies only to Keystone Automotive Operations Inc. products which are found to be defective in manufacturing or material. This warranty does not apply to normal wear and tear of the finish placed on Keystone Automotive Operations Inc. products.

TrailFX and Keystone Automotive Operations Inc. are not responsible for any labor costs incurred for removal or replacement of the defective product.

TrailFX and Keystone Automotive Operations Inc. are not responsible for repair or replacement of any product under the limited warranty where the product was improperly installed, misapplied, altered, abused, neglected, overloaded, misused or damaged as a result of an accident, including any use of the product not in accordance with all product operating and safety instructions.

Without limiting the generality of the foregoing, TrailFX and Keystone Automotive Operations Inc. shall under no circumstances be liable for any incidental or consequential loss or damage whatsoever arising out of, or in any way relating to any such breach of warranty or claimed defect in, or non-performance of the products. Some states do not allow the exclusion or limitation of incidental or consequential damages, so the above exclusion or limitation may not apply to you.

This limited warranty gives you specific legal rights, and you may also have other rights that vary from state to state.