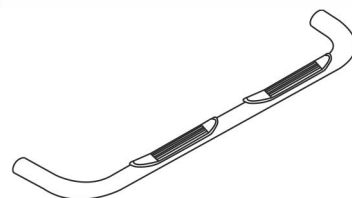




3" Side Bar

Part No. 1160610051/3



Fits: 2005-2009
2005-2010

Jeep Grand Cherokee
Jeep Commander (5 Seats Only)



REMOVE CONTENTS FROM BOX. VERIFY ALL PARTS ARE PRESENT.



READ INSTRUCTIONS CAREFULLY BEFORE STARTING INSTALLATION.



DO NOT OVER TORQUE. STANDARD OPERATING LOAD FOR TIGHTEN BODY MOUNT NUTS & BOLTS VARIES FROM 45 TO 65 FOOT POUND.



30-60 min



Cutting Not Required



Drilling Not Required



support@trailfx.com



1 866 638 4870



POLISHED STAINLESS STEEL - LIMITED LIFETIME
POWDER COATED BLACK - 3 YEARS

PARTS LIST:

Qty	Part Description	Qty	Part Description
1 Set	Side Bar	4	3/8"-16 x 1 1/4" Hex Head Bolt
1 Set	Front Bracket	8	3/8" Lock Washer
1 Set	Rear Bracket	8	3/8" Flat Washer
1 Set	Front Support Bracket	8	3/8"-16 Hex Nut
2	1/2"-13 Treaded Nut Plate	2	3/8"-16 Dual Bolt Plate
4	1/2"-13 x 2" Hex Head Bolt	2	3/8"-16 Single Bolt Plate
4	1/2"-13 x 1 1/4" Hex Head Bolt	4	3/8" I.D Flat Washer W.D. 1 1/4"
8	1/2" Lock Washer	8	1/2" Flat Washer

DRIVER (LEFT) FRONT



PASSENGER (RIGHT) FRONT



DRIVER (LEFT) FRONT SUPPORT



PASSENGER (RIGHT) FRONT SUPPORT



DRIVER (LEFT) REAR



PASSENGER (RIGHT) REAR



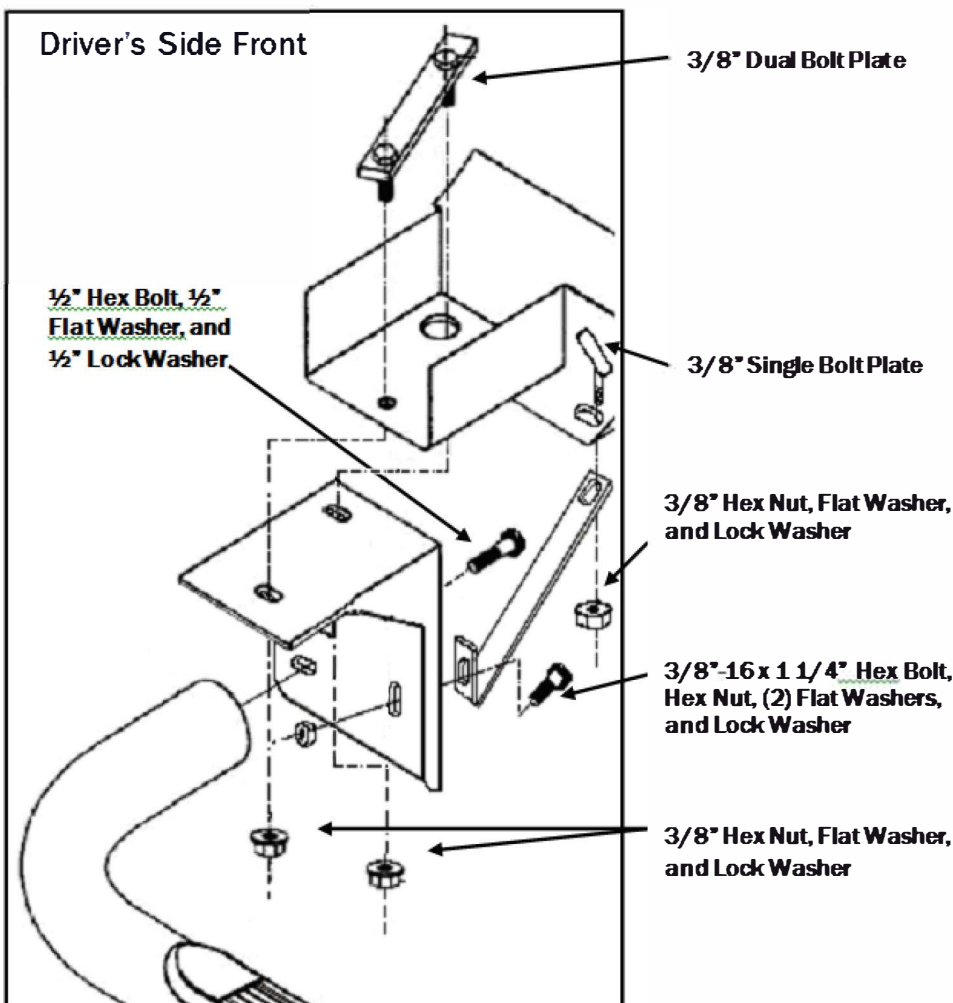
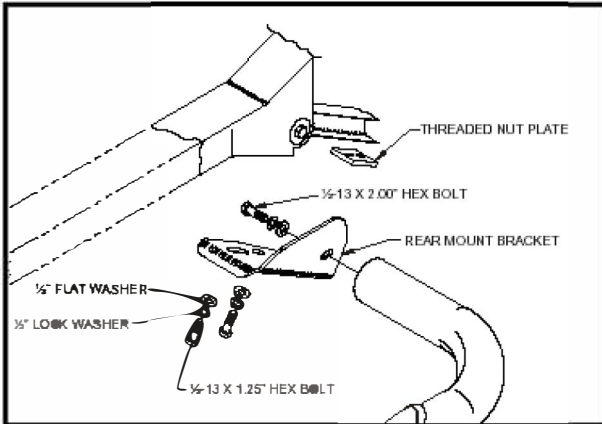
INSTALLATION PROCEDURE

⚠ IMPORTANT: A magnetic pick up tool is recommended to assist with the installation.

1. Remove the end caps on the side bars before beginning installation.
2. Unbolt the conduit on the chassis and run the rear bracket behind the conduit. Attach the rear mounting brackets to the frame using the 1/2" x 1 1/4" hex head bolts, 1/2" lock washers, 1/2" flat washers, and 1/2" treaded nut plate as shown. Do not tighten. (See illustration1). (Longer side of side bar goes toward the front)

3. Attach the front main bracket to the underside of body as shown in the diagram. Use 3/8" dual bolt plate, 3/8" lock washers, 3/8" flat washers. Do not tighten. (See Illustration 2). Next, attach front auxiliary bracket to the underside of the frame as shown with 3/8" single bolt plate, 3/8" lock washer, and 3/8" flat washer. Do not tighten. Now attach the front of the auxiliary bracket to the front main bracket with a 3/8" hex bolt, 3/8" lock washer, (2) 3/8" flat washer, and 3/8" hex nut. Do not tighten.
4. Hold the sidebar up to the front and rear brackets and attach with 1/2"-13 x 2" hex head bolts, 1/2" lock washer, and 1/2" flat washer. Do not tighten. (See Illustration 2).
5. Align the side bar and tighten all bolts. Fasten 1/2" fasteners to 65 ft. lbs. and 3/8" fasteners to 35 ft. lbs. of torque. Recheck bolts periodically.

Driver side rear bracket



(Illustration 2)

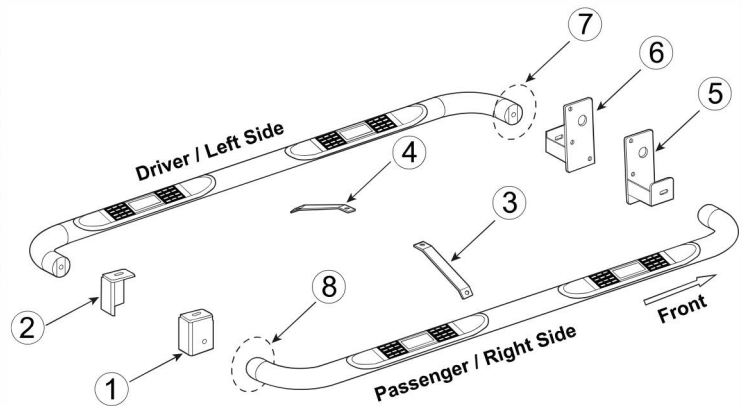
PARTS IDENTIFICATION GUIDE

Driver Side tube taped in "Red" Color. Passenger Side tube taped in "Blue" Color.

No.	Parts Identification
1	Passenger / Right 'Rear' Bracket marked "RR"
2	Driver / Left 'Rear' Bracket marked "RL"
3	Passenger / Right 'Center' Bracket marked "CR"
4	Driver / Left 'Center' Bracket marked "CL"
5	Passenger / Right 'Front' Bracket marked "FR"
6	Driver / Left 'Front' Bracket marked "FL"
7	'Left' marked "L"
8	'Right' marked "R"

Note:

- > This guide is to identify the parts and not a reference for part count.
- > Product / Bracket image is for representative purpose only.
- > Actual design may vary based on application.
- > Refer Parts List for Hardware.

**PRODUCT CARE**

- Periodically check the product to ensure all fasteners are tight and components are intact.
- Regular waxing is recommended to protect the finish of the product.
- **Use ONLY Non-Abrasive automotive wax.** Use of any soap, polish or wax that contains an abrasive is detrimental and can scratch the finish leading to corrosion.
- Aluminum polish may be used to polish small scratches and scuffs for **Stainless Steel finish.**
- Mild soap may be used to clean the product for both **Stainless Steel and Black finish.**

FAQ's**1. Hardware's are not of correct size.**

In GMC / Chevrolet truck model 2006 & up, customer needs to reuse the factory body bolts to install the bracket. If your vehicle is not GMC / Chevrolet 2006 & up, ensure that holes are not partially covered with any plastic grommet or rust? If it is, remove the plastic grommet & rust from the thread holes & re-try the installation.

2. Mounting Bracket are not getting Installed properly.

In some cases Illustration images shown in Installation manual may not be the exactly same as per actual vehicle images ,also if Driver / Passenger side mounting brackets are very identical in the design, suggest referring Parts Identification guide to avoid fitment issue.

3. Products are thumping / rattling after installation.

Ensure that all required mounting brackets / hardware's are installed & tighten correctly. Suggest using white lithium / regular grease between the metal to metal contact surfaces.

4. Side Bar is not aligning with vehicle / Step Pads are not aligning with vehicle doors.

Side bar may be interchanged or mounting brackets are not installed at the correct position in the vehicle. Refer Parts identification guide.

5. Missing / Excess Hardware.

Recheck hardware count as per the part list.

6. Product not installing properly.

Ensure make model year, cab length and bed size of your vehicle is listed in the application. All installation steps are followed correctly.

Check out these other TrailFX Products!!

www.TrailFX.com



Keystone Automotive Operations Inc. (KAO) warrants this product to be free of defects in material and workmanship at the time of purchase by the original retail consumer. KAO disclaims any other warranties, express or implied, including the warranty of fitness for a particular purpose or an intended use. If the product is found to be defective, KAO may replace or repair the product at our option, when the product is returned prepaid, with proof of purchase. Alteration to, improper installation, or misuse of this product voids the warranty. KAO's liability is limited to repair or replacement of products found to be defective, and specifically excludes liability for any incidental or consequential loss or damage.