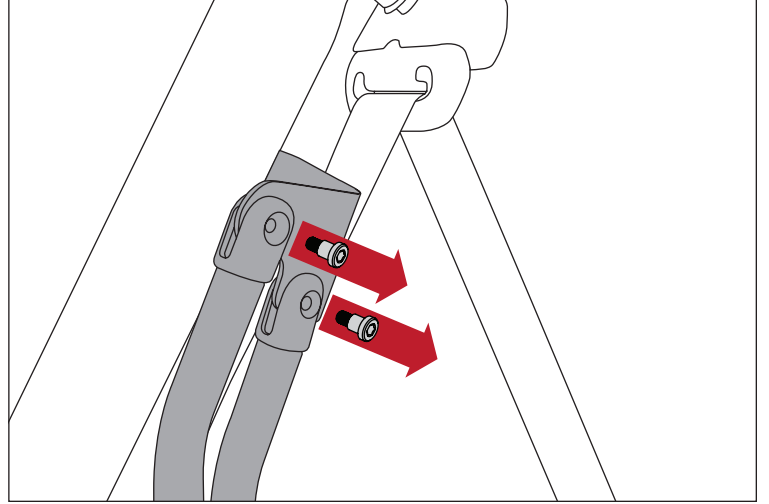


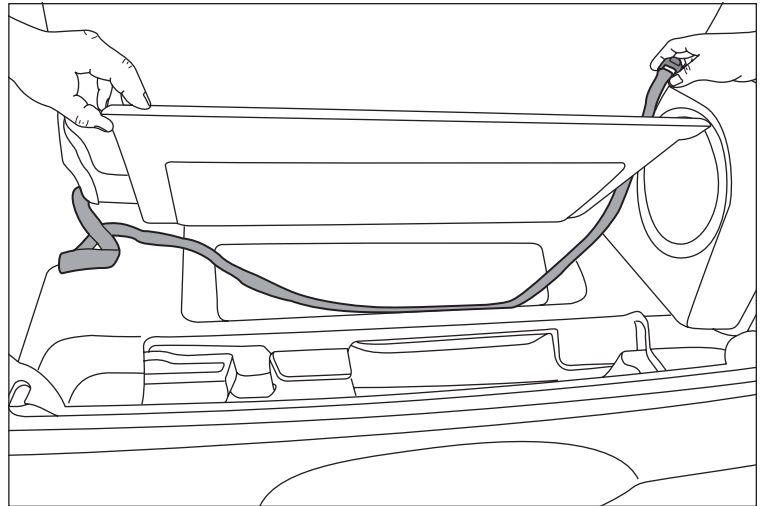
Soft Tonneau Cover, 2 Door

1. **SOFT TOP VEHICLE:** Refer to owner's manual for instructions on lowering factory top. Once open, unscrew shoulder bolts fastening top to sport bar and remove soft top.

HARD TOP VEHICLE: Refer to owner's manual for instruction on removing factory hard top.



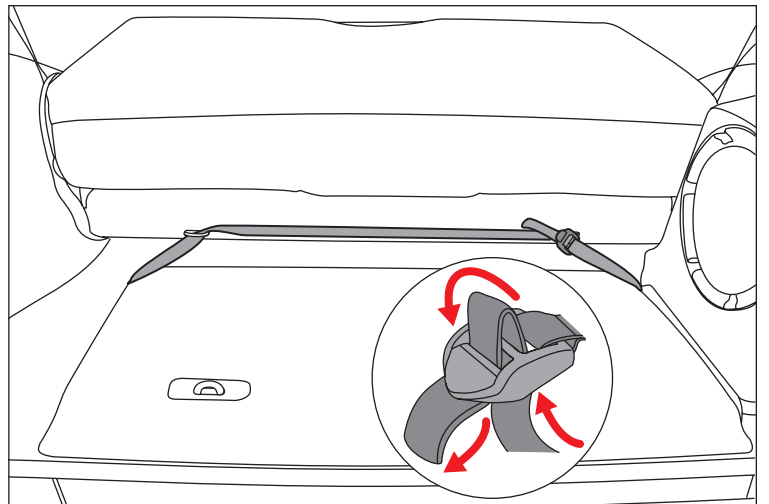
2. Lift rear storage lid and lay seat strap across bottom of storage area.



3. Fold back seat down and thread end of seat strap through child seat restraints. Thread strap through buckle and tighten as shown.

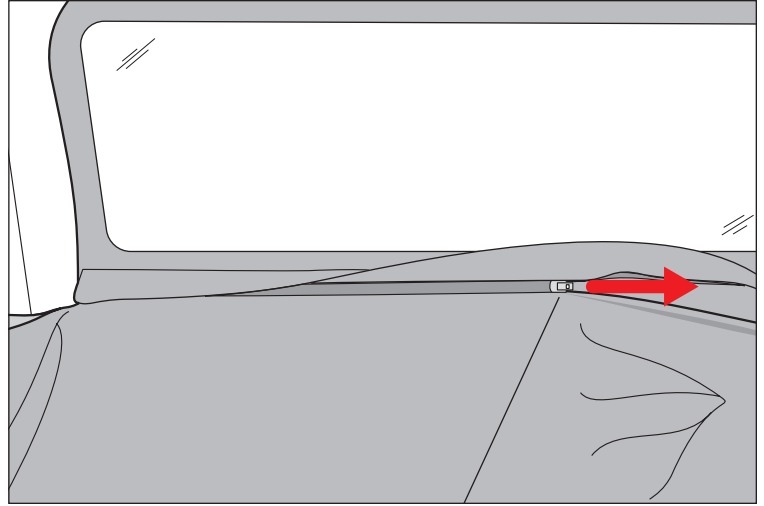
NOTICE

If installing with optional Windbreaker proceed to Step 4. If not, skip to Step 5.

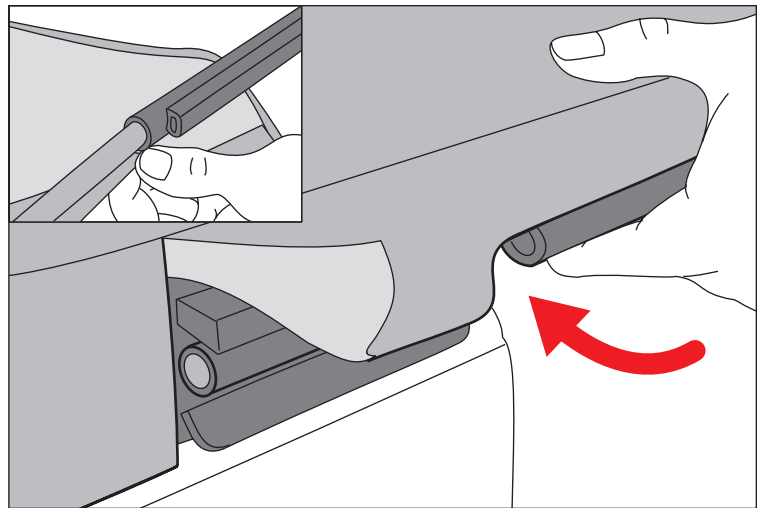


Soft Tonneau Cover, 2 Door

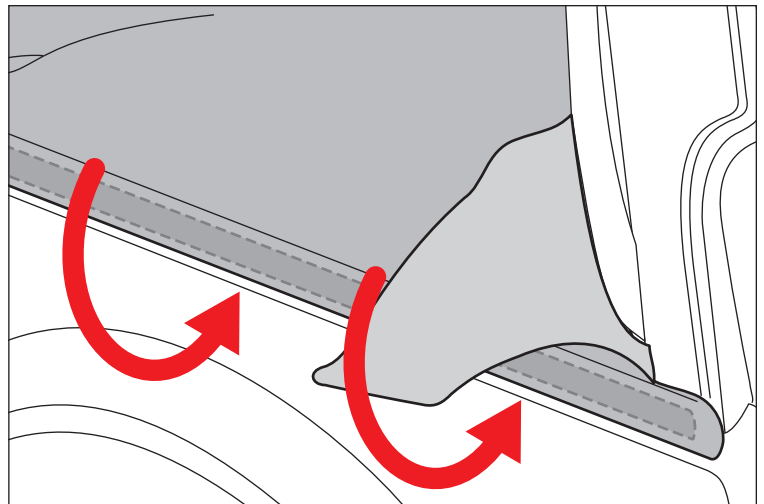
4. Zip Windbreaker to tonneau cover using zipper under flap of Windbreaker. Complete Winbreaker installation before proceeding.



5. Remove tailgate bar from soft top. Insert tailgate bar on tubed strip of tonneau cover and into tailgate mounts on each side of tailgate opening.

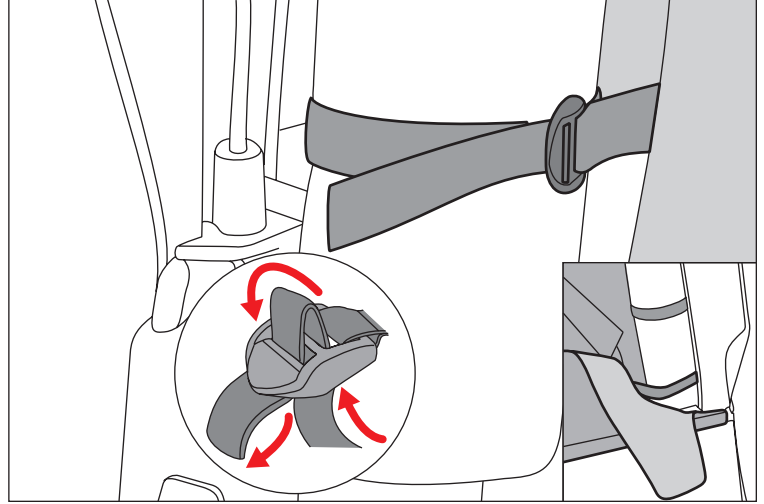


6. Roll plastic strip over edge and into side groove of body tub. Repeat for opposite side.

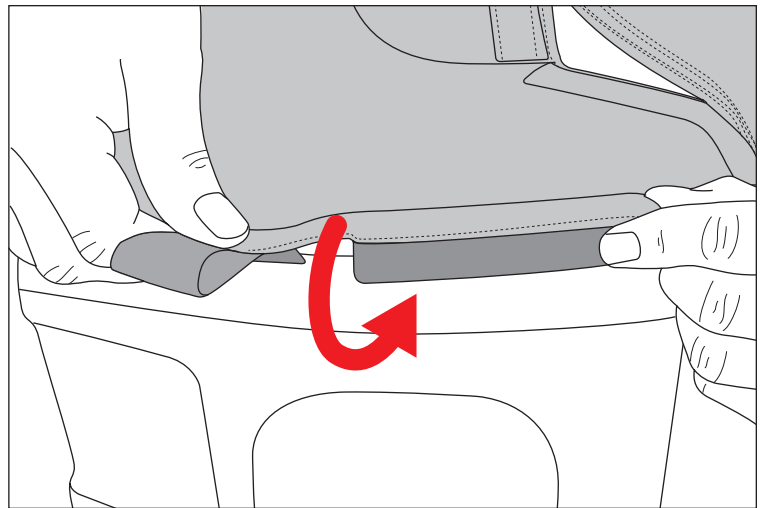


Soft Tonneau Cover, 2 Door

7. Wrap front straps of tonneau cover around sport bar. Thread strap through buckle and tighten as shown.



8. Roll plastic strip over edge and into rear groove of body tub. Repeat for opposite side.



9. Wrap collars around rear sport bar and fasten hook and loop strips together. Repeat for opposite side.

