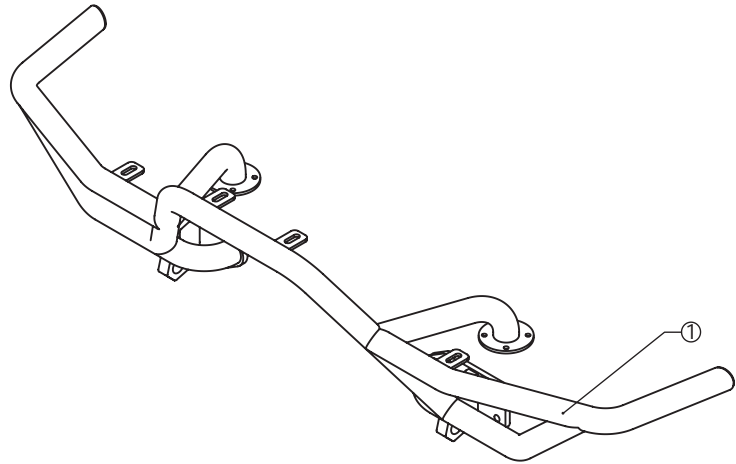


Jeep® CJ, YJ, TJ Modular HD Front Bumper RRC Hoop

Contents:

1. RRC Hoop (1)



1. If installing as part of a new installation, place center section of bumper onto frame rails, but do not yet attach. If RRC Hoop is being added to an existing installation, remove existing Hoop and D-Rings from Center Section. Center Section should be sitting on the frame rails, but not attached (Figure 1a). Place RRC Hoop over Center Section (Figure 1b) and align 8 holes on top and 8 holes on front (Figure 1c).

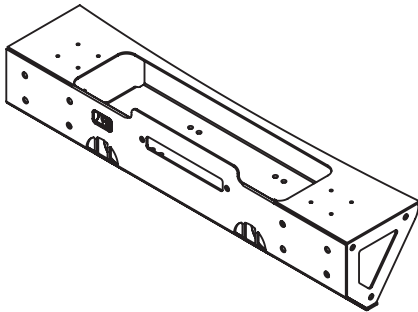


Figure 1a

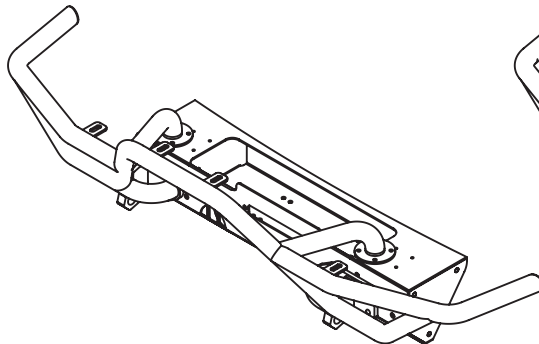


Figure 1b

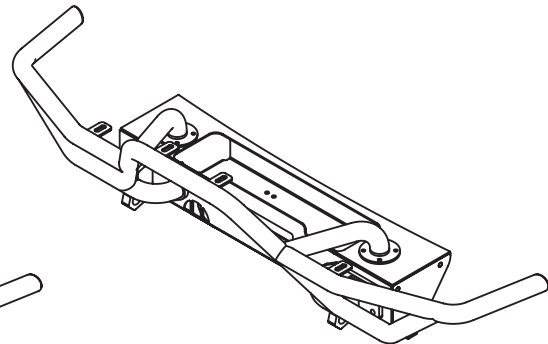


Figure 1c

2. Install 8 top bolts (provided with the Center Section) through the RRC Hoop and into the Center Section (Figure 2a). Do not tighten bolts yet. Install 8 front bolts (provided with Center Section) through the RRC Hoop and into the Center Section (Figure 2b).

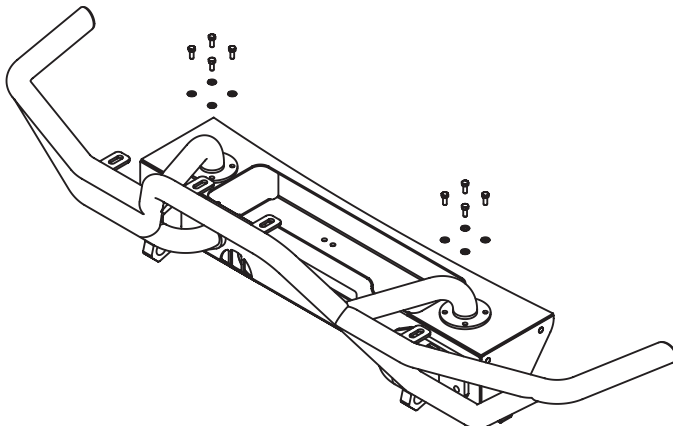


Figure 2a

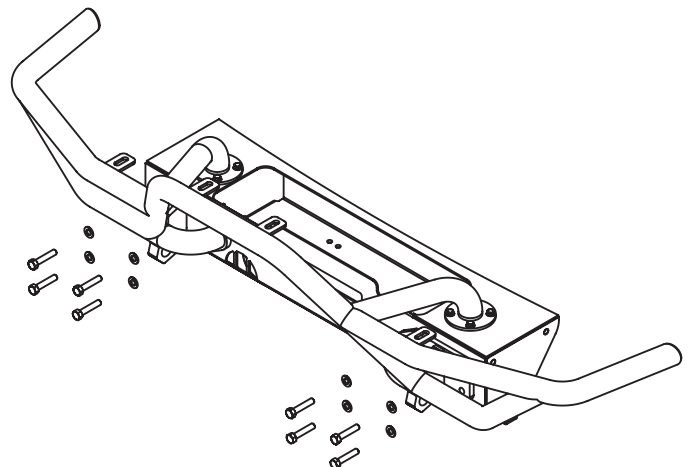
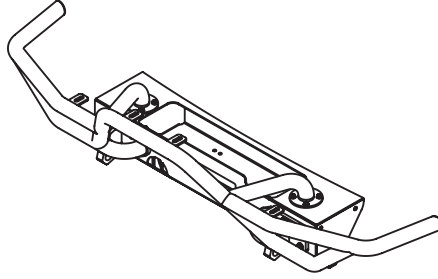
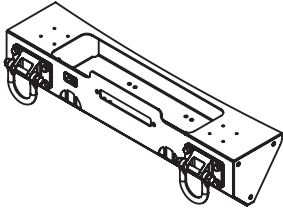


Figure 2b

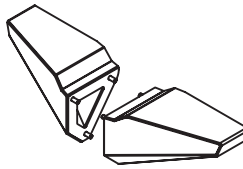
3. Once all 16 bolts have been started, tighten the front 8 bolts, followed by the 8 top bolts. Installation is now complete! Note: When used for vehicle recovery, only the D-Ring mounts at the base of the RRC Hoop are to be used. RRC Hoop is not to be used for towing or vehicle recovery. NOTE: If aftermarket lights are to be mounted to supplied tabs DO NOT block the function of factory turn signals or headlights. Lights can be mounted under bars if desired. Spacers will be needed.



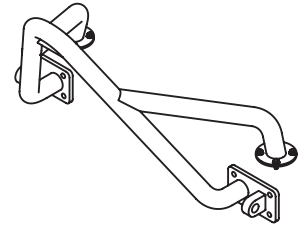
Congratulations on the purchase and installation of a quality Rugged Ridge product! Ask your retailer about the following additional accessories to the JK Modular HD Bumper:



11540.40 - Winch Center Section



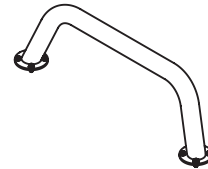
11540.42 - Optional Bumper Ends



11540.13 - Optional Stinger



11540.17 - Optional Stainless D-Rings



11540.14 - Optional Hoop - Black
11540.16 - Optional Hoop - Stainless

LIMITED WARRANTY
Applies to Rugged Ridge Products by Omix-Ada Inc.

Please find warranty card supplied with product for more information. Warranty card should be filled out and returned to address listed below.

Omix-Ada Inc.
460 Horizon Dr. Suite 400
Suwanee, Georgia 30024