



# OLD MAN EMU FITTING INSTRUCTIONS

## FK86

### Toyota Hilux 2015 on Adjustable Halogen Headlamp Bracket

#### HAND TOOLS REQUIRED

10mm Ratchet Spanner

ITEM	PART NUMBER	DESCRIPTION	QTY
1	3759800	BRKT EXT REAR POT 2015 HILUX	1
2	6151496	BOLT M6 X 1 X 10	2
3	4584349	SPRING WASHER M6	2
4	4581072	WASHER M6 x 20	2

#### Fitting Procedure

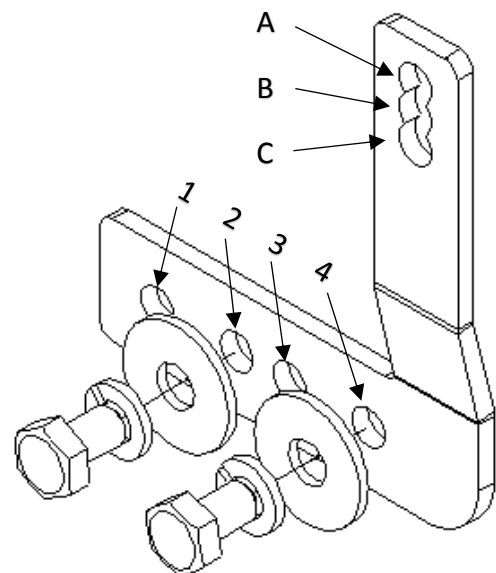
- Fasten the new bracket onto the left OME leaf spring.
  - fit mew bracket to the threaded OME leaf clip at rear of the leaf spring,
  - fasten using the two supplied M6 bolts, two M6 spring and flat washers as per diagram and table below.

Hole 1	Hole 2	Hole 3	Hole 4
	EL089R EL090R EL091R		EL089R EL090R EL091R
EL105R EL106R EL107R		EL105R EL106R EL107R	

- Attach the sensor arm according to the following hole locations in the bracket as indicated by the diagram.

Upper Hole	A	EL091R	EL107R
Middle Hole	B	EL090R	EL106R
Lower Hole	C	EL089R	EL105R

- Fasten the sensor arm using the M6 OE nut.





# OLD MAN EMU

## FITTING INSTRUCTIONS

**DO NOT SAVE THIS PAGE WITH PDF**

### REVISIONS

REV	DESCRIPTION	BY	DATE	ECN
A	RELEASE	R DOUMANI		
B	ADD SECOND SET OF HOLES OFFSET AT 15MM		10/10/2019	19-298