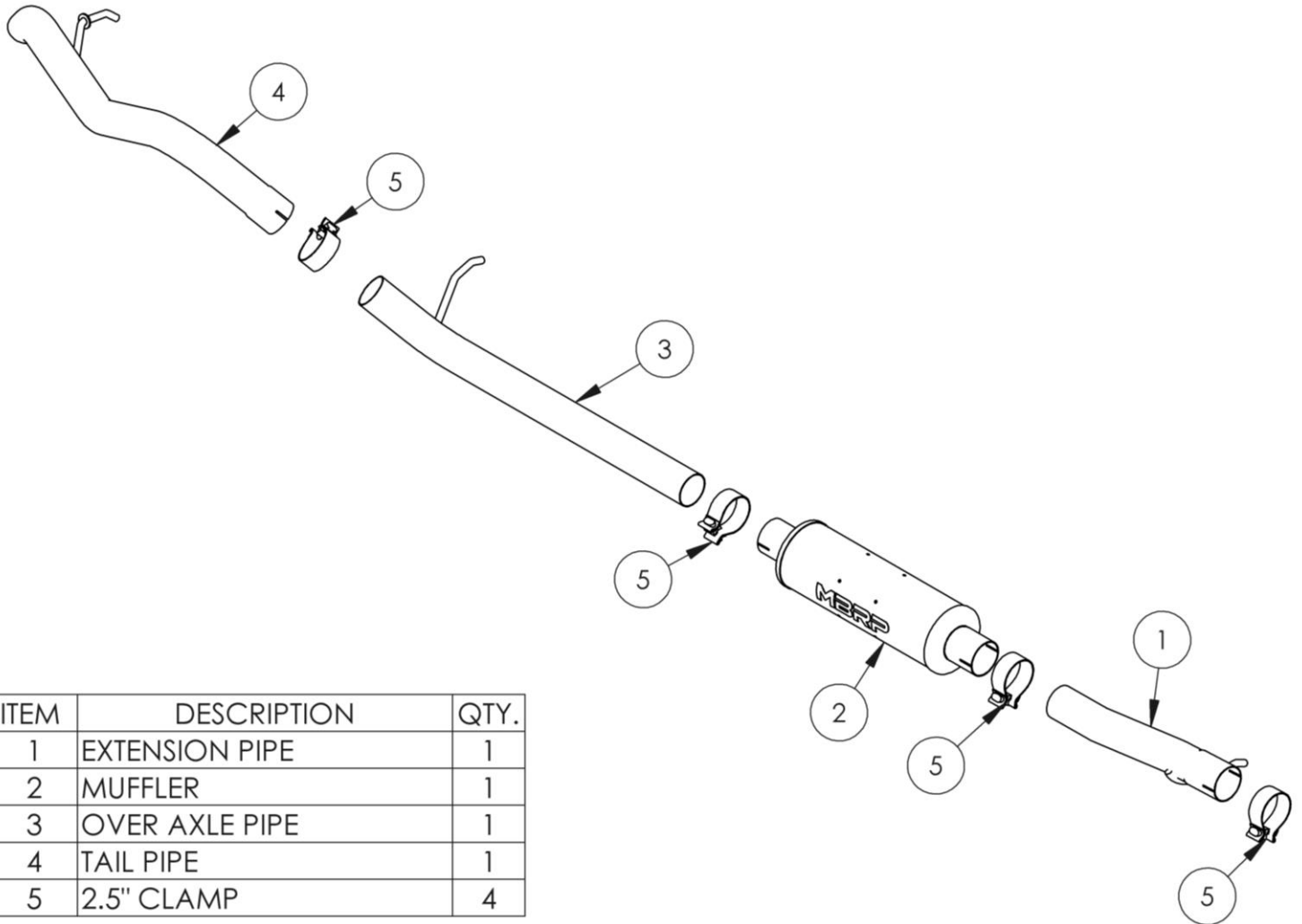


S5514

2007-2011 JEEP WRANGLER (JK)/RUBICON,
4-DOOR/2-DOOR(CHARCOAL CANISTER
REPOSITION KIT REQ.),
3.8L, CAT-BACK, 2.5" TURN DOWN REAR

MBRP®



ITEM	DESCRIPTION	QTY.
1	EXTENSION PIPE	1
2	MUFFLER	1
3	OVER AXLE PIPE	1
4	TAIL PIPE	1
5	2.5" CLAMP	4

PLEASE READ BEFORE STARTING INSTALLATION

While MBRP has made every effort to ensure that all components of this system are of superior quality and properly packaged, it is the installer's responsibility to ensure the following before removal of the factory exhaust:

- that ALL components shown above are present.
- that ALL mating components fit together.
- that there are no damaged components.
- that the system you have purchased is appropriate for your vehicle year, model and configuration.
- that the system will not interfere with any modifications previously installed or planned.
- that you have read and understand these instructions.

If you have any questions or are uncertain about any aspect of the installation of this system to your vehicle please contact your dealer before commencing installation.

Note: All 2-Door models will require the Charcoal Canister Reposition Kit (131011)

Removal of Stock System:



Figure 1

1. Apply a penetrating lubricant liberally to all exhaust fasteners, hangers and rubber insulators.



Figure 2

2. Loosen the guard below the transfer case and remove.
Refer to Figure 1.

3. Start to remove the exhaust by loosening the clamp just before the muffler on the driver's side.

Refer to Figure 2.



Figure 3

4. The muffler can be removed by removing the hangers from the rubber isolators, one on each side.

Refer to Figure 3.



Figure 4

5. Loosen the clamp on the extension pipe and remove from the existing isolators.

Refer to Figure 4.

Installation of MBRP Performance Exhaust



Figure 5

1. Install the **Extension Pipe** using a **2 ½” Clamp** and insert the hanger into the existing rubber isolator. Leave the clamp loose enough for some adjustment.

Refer to Figure 5.

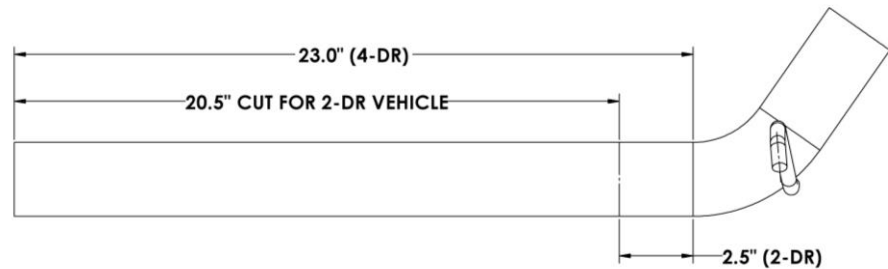
2. Slide a **2 ½” Clamp** over the **Extension Pipe** and then install the **Muffler** onto the **Extension Pipe**.

Refer to Figure 6.

Note: For the short wheelbase (2DR) vehicle, the long end of the **Over Axle Pipe** must be shortened by 20.5”. See diagram.



Figure 6



3. Slide a **2 ½” Clamp** onto the **Muffler** outlet. Install the **Over Axle Pipe** into the **Muffler**, then install the **Over Axle Pipe** hanger into the factory rubber insulator.

Refer to Figure 7 (Charcoal Canister reposition kit not shown).



Figure 7

4. Slide a **2 ½” Clamp** onto the **Over Axle Pipe** and install the **Tail Pipe**. Slide the **Tail Pipe** hanger into the existing the rubber insulator.

Refer to Figure 8.



Figure 8

5. Align the edge of band clamp with the edge of the joint it is connecting. Tighten all hardware and clamps, starting at the front and working rearward to secure the system. Check along the full length of the exhaust system to ensure there is adequate clearance for fuel lines, vent lines, brake lines, frame, bodywork, suspension, and any wiring, etc. If there is any interference detected, relocate, or adjust to provide adequate clearance. Ensure all clamp connections are secure and components are unable to rotate or slide. Band clamps require approximately 45 lb-ft (60 N-m) of torque. Verify clearances, system security and band clamp torque after 30- 60 miles (50-100 km) of driving.

6. Reinstall the guard below the transfer case.

Congratulations! You are ready to begin experiencing the improved power, sound and driving experience of your **MBRP** performance exhaust system.

We hope you enjoy your purchase.