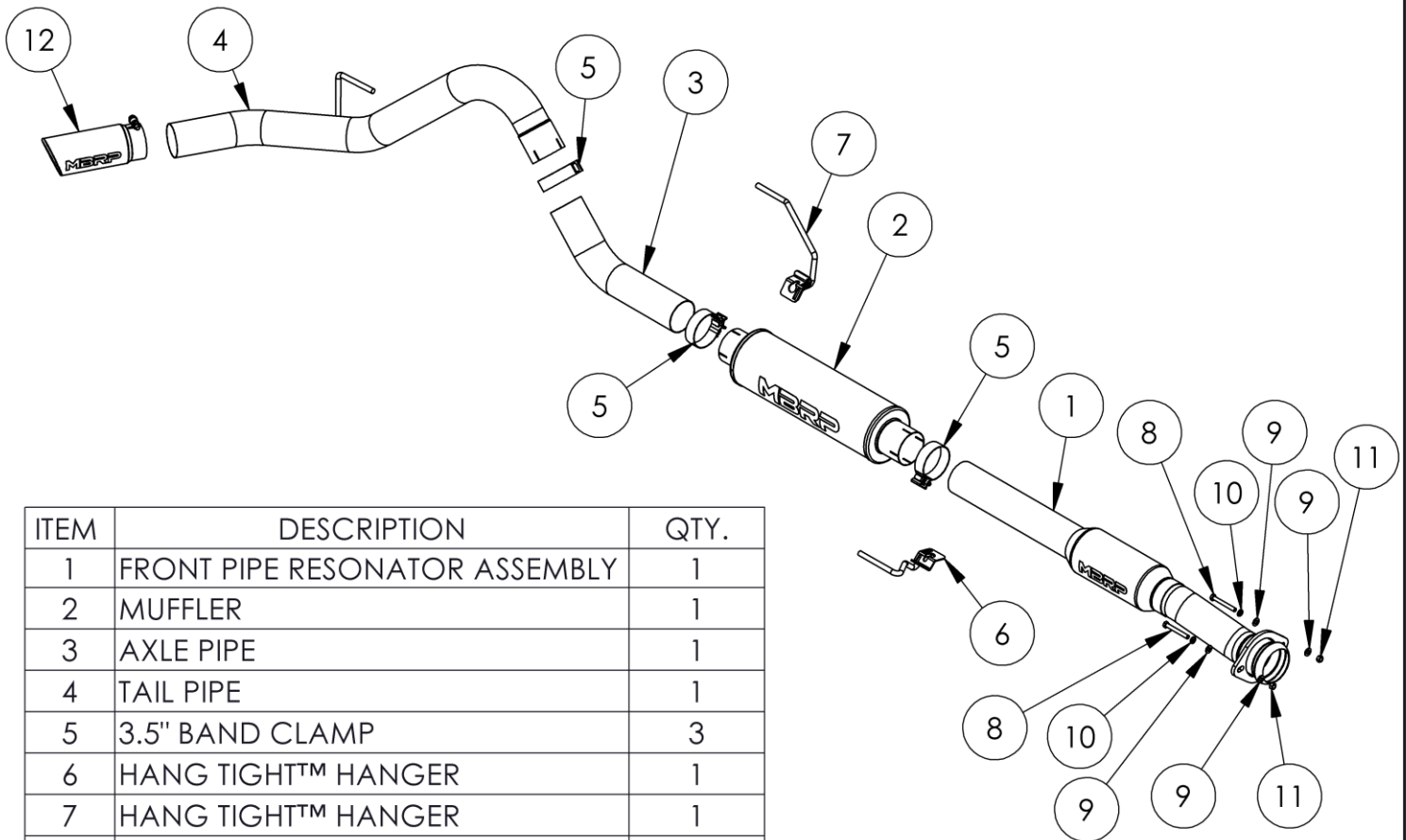


S5228

2011-2014 FORD F150 RAPTOR,
EXTENDED CAB / CREW CAB, 6.2L,
CAT BACK, 3.5" SINGLE SIDE

MBRP®



ITEM	DESCRIPTION	QTY.
1	FRONT PIPE RESONATOR ASSEMBLY	1
2	MUFFLER	1
3	AXLE PIPE	1
4	TAIL PIPE	1
5	3.5" BAND CLAMP	3
6	HANG TIGHT™ HANGER	1
7	HANG TIGHT™ HANGER	1
8	3/8" X 3" HEX BOLT	2
9	3/8" FLATWASHER	4
10	3/8" LOCK WASHER	2
11	3/8" HEX NUT	2
12	EXHAUST TIP	1

PLEASE READ BEFORE STARTING INSTALLATION

While MBRP has made every effort to ensure that all components of this system are of superior quality and properly packaged, it is the installer's responsibility to ensure the following before removal of the factory exhaust:

- that ALL components shown above are present.
- that ALL mating components fit together.
- that there are no damaged components.
- that the system you have purchased is appropriate for your vehicle year, model and configuration.
- that the system will not interfere with any modifications previously installed or planned.
- that you have read and understand these instructions.

If you have any questions or are uncertain about any aspect of the installation of this system to your vehicle please contact your dealer before commencing installation.

MBRP

Removal of Stock System:



Figure 1



Figure 2



Figure 3



Figure 4

1. Apply a penetrating lubricant liberally to all exhaust fasteners, hangers, and rubber insulators.

2. Loosen the flange located behind the “Y” pipe.
Refer to Figure 1.

3. Loosen the clamp located in front of the muffler.
Refer to Figure 2.

4. Remove the hangers from the rubber insulators and remove the exhaust from the vehicle. If a hoist or hydraulic lift is not being used the tail pipe may need to be cut to clear the rear axle.
Refer to Figure 3.

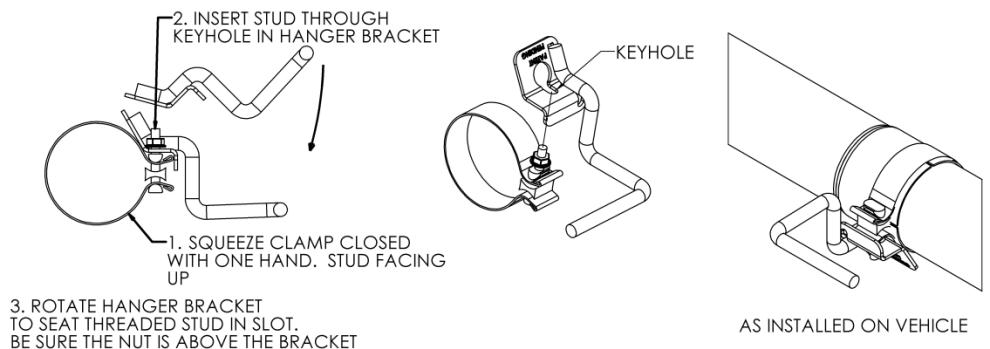
Installation of MBRP Performance Exhaust:

1. Install the **Front Pipe Resonator Assembly** to the existing flange using the fasteners provided. **Refer to Figure 4.**

Note: The **Front Pipe Resonator Assembly** will require trimming on some models.

Model	Bed Length	Wheelbase	Front Pipe Cut
SuperCab	6.5'	133"	12"
SuperCrew	5.5'	145"	

2. Install the Hang Tight™ Hangers onto a 3.5” Band Clamps using the procedure shown below. (Hang Tight™ Hanger not exactly as shown)



MBRP



Figure 5

3. Slide the front **Hang Tight™ Hanger** clamp assembly over the **Front Pipe Resonator Assembly** and install the **Muffler** onto the **Front Pipe Resonator Assembly**. Install the hanger into the existing rubber insulator. **Refer to Figure 5.**



Figure 6

4. Loosely install the **Axle Pipe** connecting it to the **Muffler** outlet using the remaining **Hang Tight™ Hanger clamp assembly**. Install the hanger into the rubber insulator located above the **Axle Pipe**. **Refer to Figure 6.**



Figure 7

5. Attach the expanded end of the **Tail Pipe** to the **Axle Pipe** using the **3 1/2" Clamp**. Slide the **Tail Pipe** hanger into the factory rubber insulator. **Refer to Figure 7**

6. Install and adjust the **Exhaust Tip** to suit. Tighten the lock bolt on the **Exhaust Tip**. **Refer to Figure 7.**

7. Align the exhaust as required. Tighten all hardware and clamps, starting at the front and working rearward to secure the system. Check along the full length of the exhaust system to ensure there is adequate clearance for fuel lines, vent lines, brake lines, frame, bodywork, suspension, and any wiring, etc. If there is any interference detected, relocate or adjust to provide adequate clearance. Ensure all clamp connections are secure and components are unable to rotate or slide. Band clamps require approximately 45 lb-ft (60 N-m) of torque. Verify clearances, system security and band clamp torque after 30-60 miles (50-100 km) of driving.



Figure 8

Congratulations! You are ready to begin experiencing the improved power, sound and driving excitement of your **MBRP** performance exhaust system. We know you will enjoy your purchase.