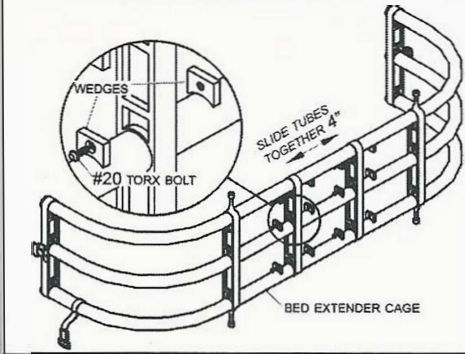


TONNO PRO

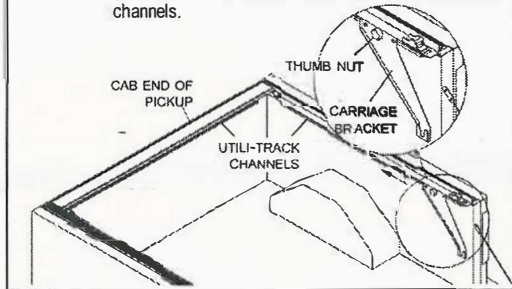
#LR-4092

Nissan Frontier Bed Extender System

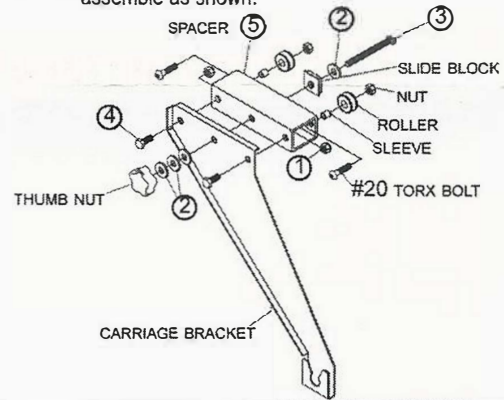
STEP 1: Adjust Width of Bed Extender Cage: Open tailgate and remove bed extender cage. Measure and record width of cage. Using a #20 torx wrench, loosen torx bolts from wedges. Pry wedges loose and slide tubes together, so that cage is 4" narrower than it was originally. Replace wedges and retighten torx bolts.



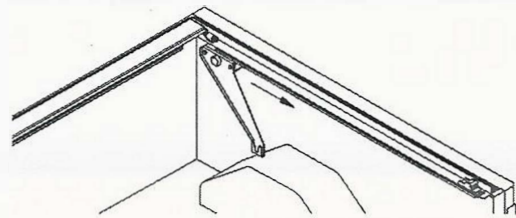
STEP 2: Remove Carriage Brackets: Loosen thumb nut and slide carriage bracket assemblies to cab end of pickup bed. Remove bracket assemblies from Utili-track channels.



STEP 3: Install Spacers: Disassemble carriage brackets. Re-assemble as shown.



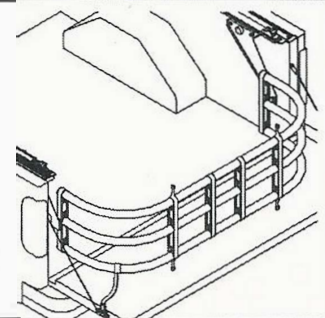
STEP 4: Replace Carriage Brackets: Slide carriage bracket assemblies into Utili-track channels at cab end of pickup bed. Slide toward tailgate. Re-install bed extender cage, following manufacturers instructions.



Contents

1. Lock Nut, 5/16"
2. Flat Washer, 5/16"
3. Cap Screw, Metric, M8 x 1.25 x 90mm
4. Cap Screw, 5/16" x 3/4"
5. Tube Spacer

STEP 5: Final Adjustments: Rotate bed extender cage to rest on tailgate. Adjust length of safety strap and re-fasten to tailgate. Make sure all bolts are tightened, and bed extender operates correctly.



888-477-3729
www.Tonnopro.com