



Installation Instructions

For Part Numbers:

- 310-110 700-421 Airaid Oiled Media Filter
- 311-110 701-421 SynthaMax Dry Media Filter - Red
- 312-110 702-421 SynthaMax Dry Media Filter - Black
- 313-110 703-421 SynthaMax Dry Media Filter - Blue

1997-02 Jeep TJ 2.5L I4

1997-04 Jeep TJ 4.0L I6

Does Not Fit 2.4L

Component Identification

1.	Splash Guard	1
2.	Tube Assembly	1
3.	Adapter Tube	1
4.	Bolt 1/4-20x1/2"	2
5.	Long Bracket	1
6.	Short Bracket	1
7.	1/4" Washer	2
8.	Nylon Wire Tie	1
9.	1/4" Washer	8
10.	Bolt 1/4-20x5/8"	4
11.	Nut 1/4 -20	4

Full color instructions can be viewed on our web site at Airaid.com. Use the **Product Search** function to find your part number, and click **View Details**.

I DISCONNECT NEGATIVE (-) BATTERY CABLE.

II Remove air filter housing.

- a) Loosen intake tube hose clamp at the air box lid. Separate from lid. **FIG #1**
 - b) Unclip the air box lid. Remove and set aside the lid and filter.
 - c) From underneath the fender, use a 10mm ratchet to remove the 3 (three) nuts that secure the air box base.
- ***Note:** Unscrew the nuts from underneath and use an 8mm wrench to keep the top bolts from turning. **FIG #2**

III Assemble Airaid Tube

- a) Bolt the two brackets to the Airaid tube using the shorter 1/4-20x1/2" bolts and washers. **See FIG #3 Do not tighten yet.**
- b) The longer bracket attaches to the front mount point.

IV Install Airaid Tube

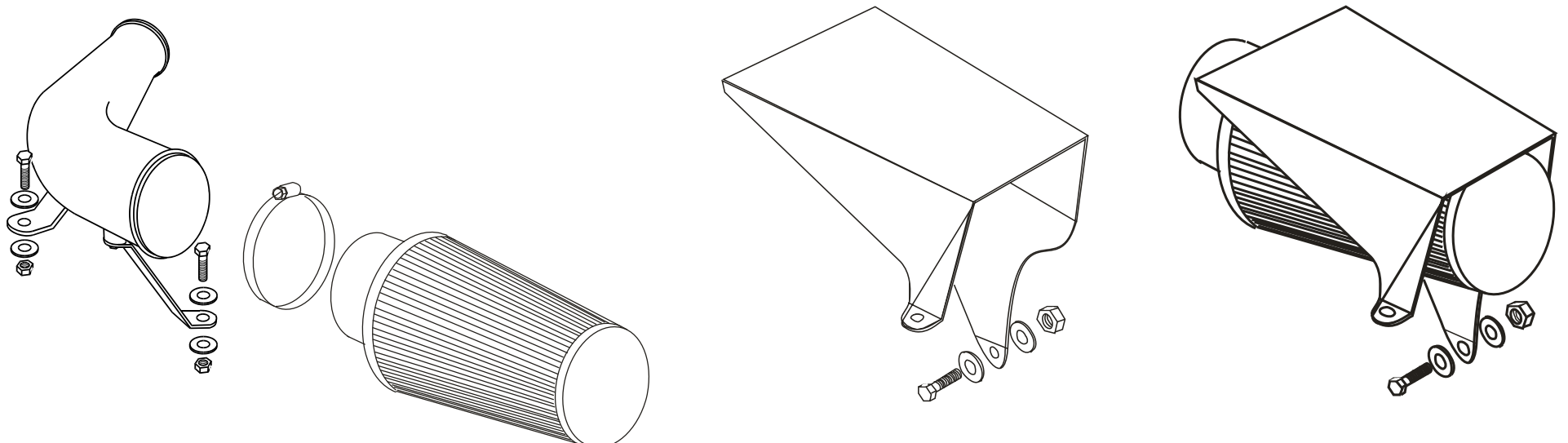
- a) Position tube in place of air box. **See FIG #4**
- b) Locate and adjust Airaid brackets over the original air box mounting holes. Insert a 1/4-20x5/8" bolt and flat washer. Into each mounting bracket.
- c) On the opposite side, secure to the fender with a flat washer and nut.

V Install "Splash Shield"

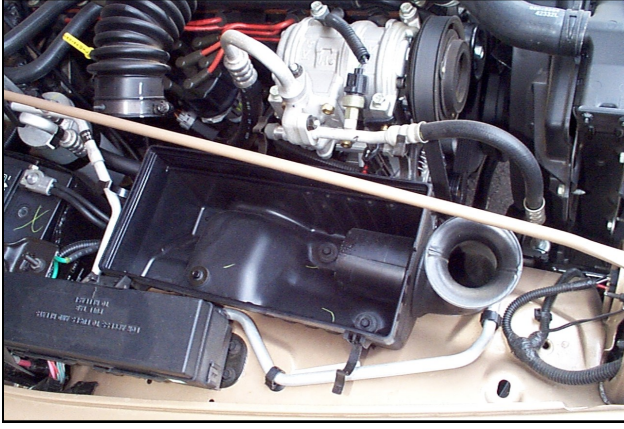
- a) Locate and test fit the mounting points. Remove the existing plastic fastener for the inside mount. **See FIG #5** - Then fasten the shield with 1/4-20x5/8 bolts and washers.
- b) Tie Wrap is optional. Press into hole on the top rear of splash shield. Fasten to radiator strut rod.

VI Finishing up Airaid Installation.

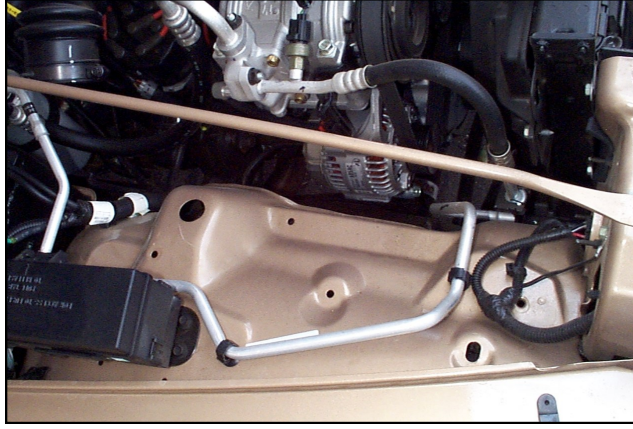
- a) Check for any foreign objects in the airflow path.
- b) Reconnect battery cable. Double-check your work.
- c) After one week of driving, check hardware and filter for tightness.



Fig#1



Fig#2



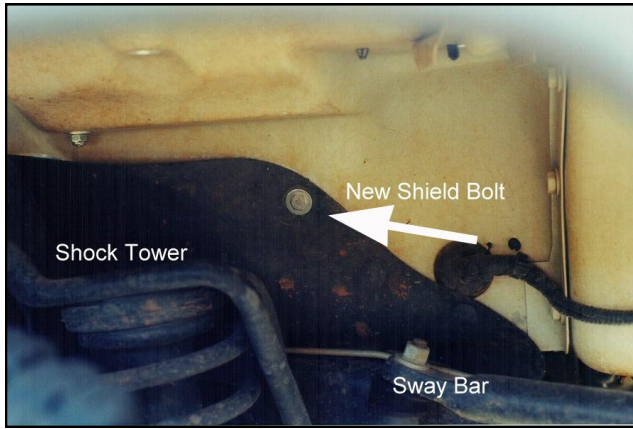
Fig#3



Fig#4



Fig#5



Fig#6



Thank you for purchasing the Airaid Intake System. Contact Airaid @ (800) 498-6951 8:00 AM - 5:00 PM MST week-days for questions regarding fit or instructions that are not clear to you. Your Airaid Intake System was carefully inspected and packaged. Check that no parts are missing, or were damaged during shipping. If any parts are missing, contact Airaid. The air filter element is protected from direct exposure to water and debris; care should be taken not to drive through deep water. WATER INGESTION IS THE DRIVERS RESPONSIBILITY! The air filter is reusable and should be cleaned periodically.

FILTER IDENTIFICATION

700-421 Airaid Oiled Media
702-421 Airaid SynthaMax Dry Media - Black

701-421 Airaid SynthaMax Dry Media - Red
703-421 Airaid SynthaMax Dry Media - Blue

For your Oiled media filter we suggest using the AIRAID Filter Tune-Up Kit!



Do Not Oil



P/N 790-551 Aerosol Spray
P/N 790-550 Squeeze Spray



Synthamax Air Filters do not require oil. Service air filter as needed by cleaning with common non-petroleum all-purpose household cleaner and water. Simple Green®, Formula 409® or equivalent works great. Apply cleaner to outside of air filter and allow to soak. Then flush filter clean from the inside out with a garden hose and repeat steps if necessary. Do not apply high pressure water or air to clean filter. Allow filter to air dry and reinstall.