

# HEAVY DUTY BUMPER INSTALLATION AL-RBM46FDN-KC

2010 -14 Ford Raptor/2009-2014 F150

With or Without Back-up Sensors

7/16/20

Visit the ICI Web Site for other exciting accessories for your vehicle. WWW.ICIONLINE.COM

## Hardware Kit Includes:

- (1) 6 - Hex head nuts (M12)
- (2) 6 - Lock washers (M12)
- (3) 6 - Flat washers (M12)
- (4) 6 - Plastic push nuts (M12)
- (5) 4 - Square plastic license plate nuts

## Components List:

- 1 - Heavy Duty Rear Bumper
- 2 - Mounting brackets (BP5027)
- 2 - Two bolt T-bolts (BP2191)
- 2 - One bolt T-bolts (BP5038)
- 2 - Plastic isolators (100505)

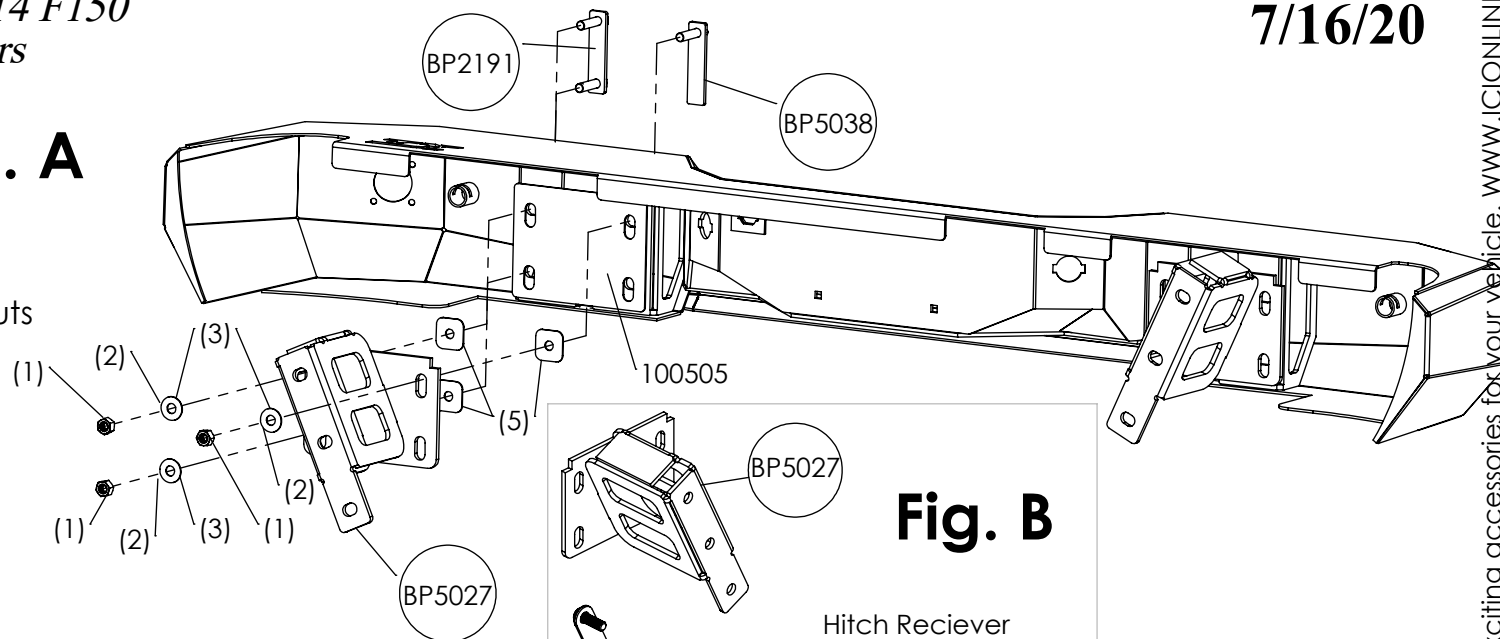
**DISCLAIMER: USE ONLY COMPONENTS AND HARDWARE SUPPLIED BY ICI. NO SUBSTITUTIONS.**

**LOOSE FIT ALL COMPONENTS. DO NOT TIGHTEN UNTIL ALL COMPONENTS ARE INSTALLED AND ADJUSTED.**

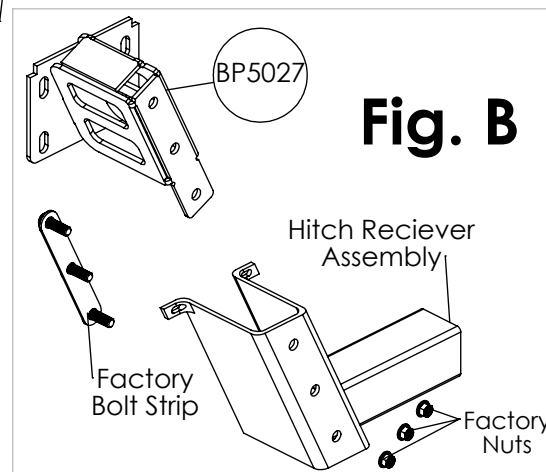


ATTN: STATE OF CALIFORNIA CONSUMERS  
WARNING: CANCER AND REPRODUCTIVE HARM  
-WWW.P65WARNINGS.CA.GOV

**Fig. A**



**Fig. B**



## Step by Step Installation Instructions

- STEP 1.** Start by removing the spare tire from under the vehicle using the factory spare tire tools. Lower the spare and move out of the way. Save the factory spare/lock mechanism for reinstallation on your new Alumilite bumper.
- STEP 2.** Next begin by removing/unplugging all wiring connections to rear bumper. Unplug 7 prong receiver harness from the receiver hitch. Carefully unplug license plate light plugs (x2) and remove lights. Next unplug the 4 backup warning sensors (if so equipped) being careful not to damage plug or sensor.
- STEP 3.** Using a trim removal tool or similar remove wire loomed harness from its attaching points on the factory bumper. Carefully feed the harness out from the bumper and hitch and place out of the way.
- STEP 4.** Remove the (8) Nuts holding the bumper/receiver hitch to the frame (see EX. A, EX. B). You can support the bumper assembly with a floor jack or similar, an extra pair of hands is recommended for this step.
- STEP 5.** Once the (8) nuts are removed, slide bumper outward and away from the vehicle being careful not hit the sides of the truck.

# HEAVY DUTY BUMPER INSTALLATION

2010 -14 FORD Raptor/F150 With or Without Back-up Sensors

AL-RBM46FDN-KC

7/16/20

- STEP 6.** Once Bumper assembly is removed; remove the backup sensors (if so equipped) by pressing the retaining tabs outward and removing, they should pop out easily do not pry on them or risk damage to the sensor. Save for re- installation into the Alumilite Rear Bumper.
- STEP 7.** Next remove the license plate light mounts from the step area of the factory bumper. Push inward on the two plastic tabs and pop the housing out from the bumper. These are Plastic so use care not to damage during removal. Save for installation on the Alumilite Rear Bumper.
- STEP 8.** Remove license plate and mounting bolts from factory bumper, save for reuse on the Alumilite Rear Bumper.
- STEP 9.** Now to begin installation of the Alumilite Rear Bumper. Begin by placing the bumper on a blanket or cardboard covered surface so not to damage the powder coated surface.
- STEP 10.** (If equipped) Now install the four factory backup warning sensors into the Alumilite rear Bumper. Begin by aligning the tab on the sensor with the t-slot in the sensor mount located Bumper, push inward and make a quarter turn towards the outside of the bumper to lock into place. ICI recommends placing a small amount of RTV silicone on the backside of the sensor to prevent it from ever backing out of the mount.
- STEP 11.** Take Outside Brackets (BP5027) and attach them to the frame/hitch using the factory T-Bolts and Hex Head Nuts that were previously removed in Step 4. Lightly snug these for now.
- STEP 12.** Once the outside brackets (BP5027) Have been installed; With help from another person, lift the Alumilite Rear Bumper up and align with the corresponding holes on the frame and attach with provided T-Bolts and M12 Hardware. Place the provided plastic isolator (100505) between the bumper and mounting brackets. Leave loose until after the bumper has been aligned and adjusted. Raise bumper assembly, align and adjust bumper to your liking, tighten all mounting points from outside bracket to the frame, then tighten all mounting points from outside brackets to the Alumilite Rear Bumper. Check for proper clearance between the top of the bumper and tailgate when opening tailgate, adjust if needed.
- STEP 13.** Reinstall license plate and license plate lights and check for function.
- STEP 14.** Re-check that all mounting hardware is secure. Turn on parking lamps and check for plate light operation. You have now completed the installation of your new Alumilite rear bumper, enjoy!