



Assembly, Installation, Operation and Maintenance Instructions

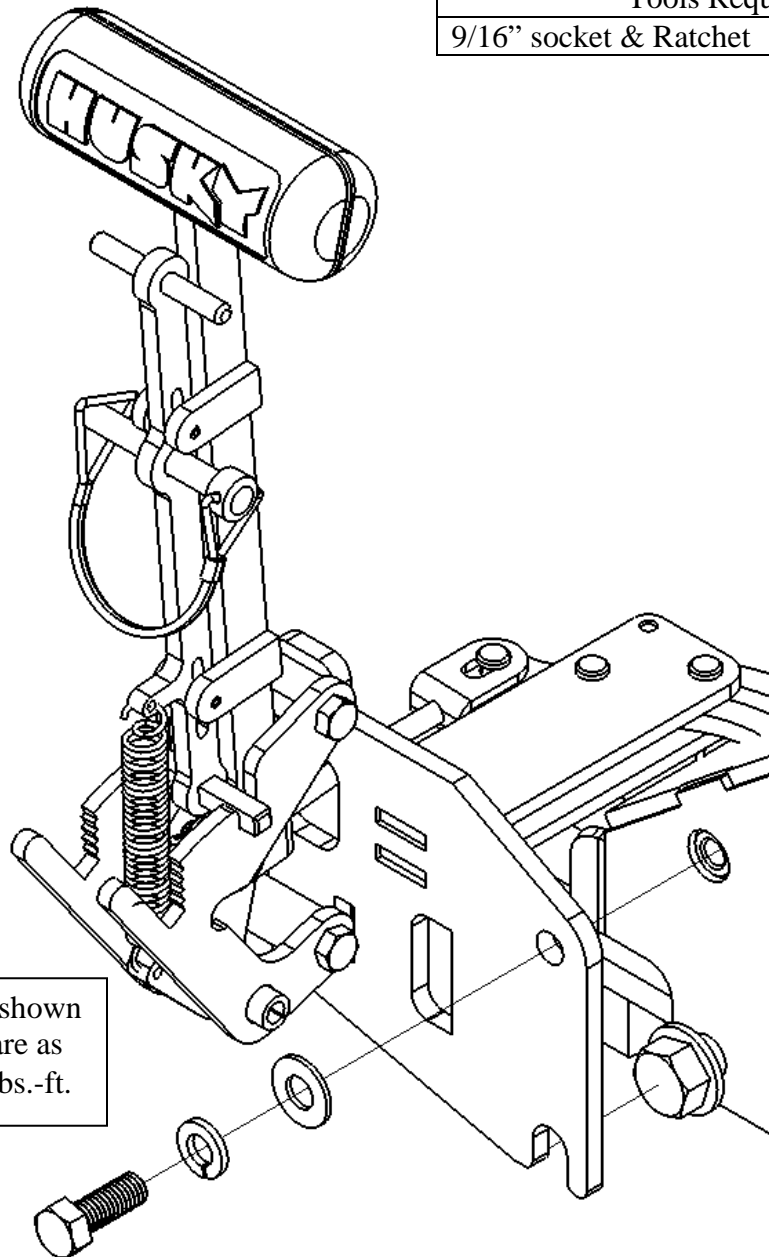
Kit, 3/8" Hardware Kit for 16K Husky 10 Pull Handle.

Part # 31752

Dealer / Installer: Provide a copy of these Instructions to the end user of this product. These Instructions provide important operating and safety information for proper usage of this product. Demonstrate the proper use of the product with the end user. Have the end user demonstrate that they understand the proper use of the product.

End User: Read and follow all instructions included in this manual. Ask your Dealer / Installer for assistance if you do not understand the proper use of the product. Never remove any decals from the product.

Tools Required	
9/16" socket & Ratchet	Torque wrench



Remove old hardware shown and install new hardware as shown. Torque to 30 lbs.-ft.