



**"KIT, SERVICE, HUSKY 10-16K,  
PASSENGER SIDE HOUSING AND RAIL  
ASSEMBLY.**

Patent Pending

<b>Dealer / Installer:</b>	Provide a copy of these Instructions to the end user of this product. These Instructions provide important operating and safety information for proper usage of this product. Demonstrate the proper use of the product with the end user. Have the end user demonstrate that they understand the proper use of the product.
<b>End User:</b>	Read and follow all instructions included in this manual. Ask your Dealer / Installer for assistance if you do not understand the proper use of the product. Never remove any decals from the product.

**APPLICATION:** For use on short bed pickup applications no less than 6-1/2 feet long.

**NOTE:** The "HUSKY 10-16K" is to be used only with 5th wheel trailers which weigh 16,000 lbs. or less. Never use with heavier trailers. You will need to disassemble the uprights from your current 5th wheel to install the "HUSKY 10-16K". The "HUSKY 10-16K" takes the place of those uprights.

**Caution:** The "HUSKY 10-16K" will reposition your 5th wheel 10" rearward. **HOWEVER this will NOT guarantee complete truck cab/trailer clearance when towing & making sharp turns.** See page 2, "Truck Cab and 5th Wheel Trailer Clearance".

**Husky Fastener Torque Specification**

U.S. BOLT TORQUE SPECIFICATIONS				
Torque in pounds-foot				
Bolt Diameter	Thread Pitch	GRADE		
		2	5	8
1/4	20	4	8	12
1/4	28	6	10	14
5/16	18	9	17	25
5/16	24	12	19	29
3/8	16	16	30	45
3/8	24	22	35	50
7/16	14	24	50	70
7/16	20	34	55	80
1/2	13	38	75	110
1/2	20	52	90	120
9/16	12	52	110	150
9/16	18	71	120	170
5/8	11	98	150	220
5/8	18	115	180	240
3/4	10	157	260	380
3/4	16	180	300	420



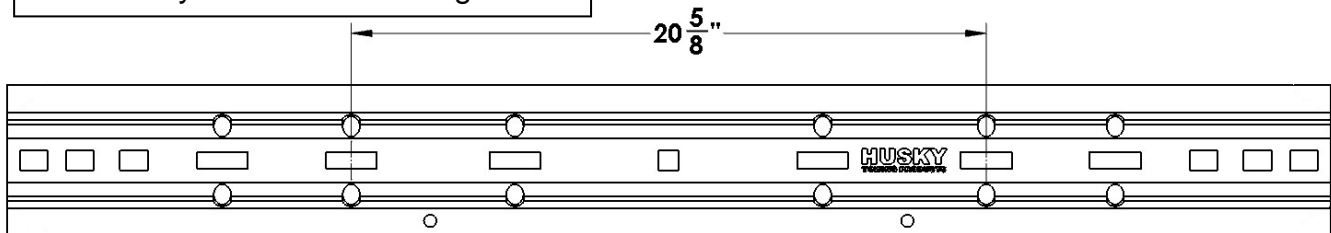
All "Husky 10" fasteners are grade 5

**TOOLS REQUIRED:**

- DRILL\*
- 5/8" DRILL BIT\*
- NEEDLE NOSE PLIERS
- 7/16" WRENCH & SOCKET
- 9/16" WRENCH & SOCKET
- 16mm WRENCH
- 3/4" WRENCH & SOCKET
- TORQUE WRENCH (150 LBS.-FT. MIN.)

\*These tools only required if you do not have a center bolt kit installed in your base rails.

**The "HUSKY 10-16K" will only work in the base rail slots spaced 20-5/8" apart. Only use Husky 5th Wheel Hitches with this product.**



# "Husky 10-16K" Preparation for new components

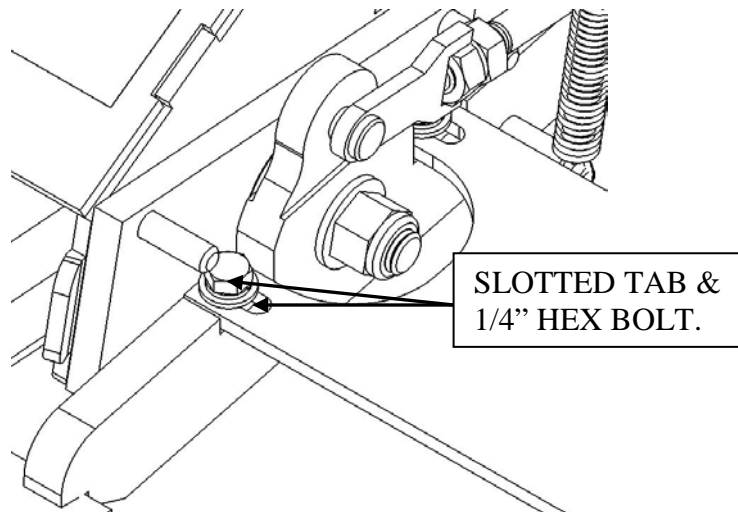
Remove the 5<sup>th</sup> wheel head, cross member, pivot plate and retain as these will be re-used.

## Contents

This kit contains one complete passenger side housing and rail assembly.

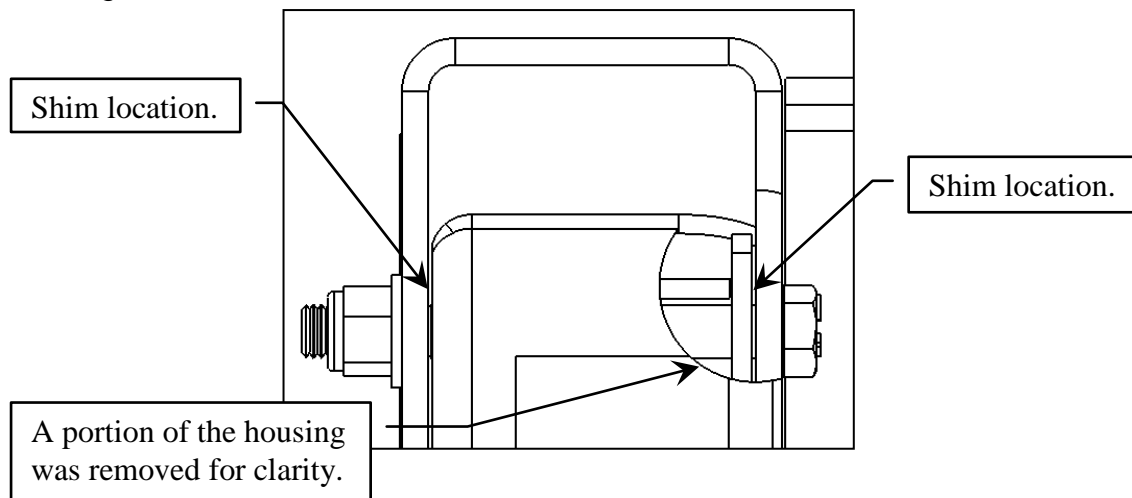
### "HUSKY 10-16K" INSTALLATION

1. Remove passenger side housing and rail assembly and discard, leave the driver side housing and rail assembly in place.
2. Place new passenger side assembly into base rail slots.
3. Insert base rail pins from rearward side of base rails and secure with clips.
4. Place Husky pivot plate on recesses on pivot stops by tipping the passenger side assembly outward to get the plate in place. Slotted tabs on plate should rest in recesses on pivot stops.



Using 1/4" bolts, flat washers and lock washers, thread into holes on pivot stops finger tight only.

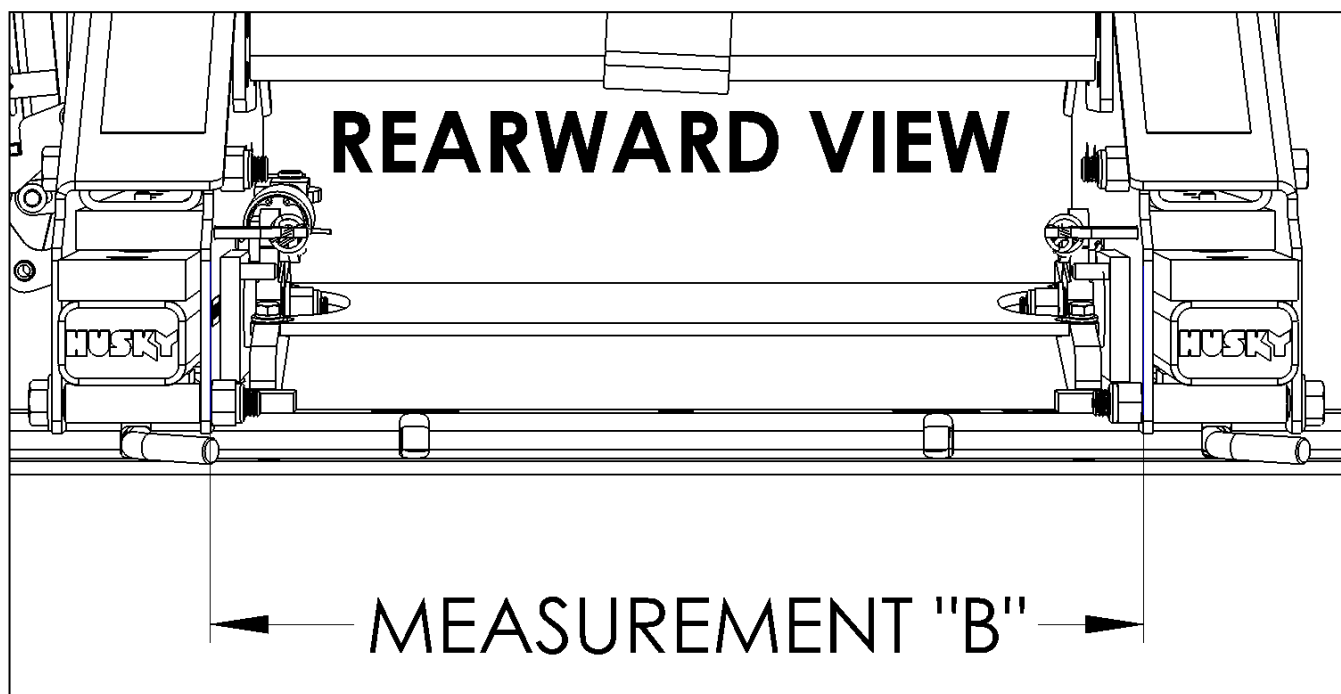
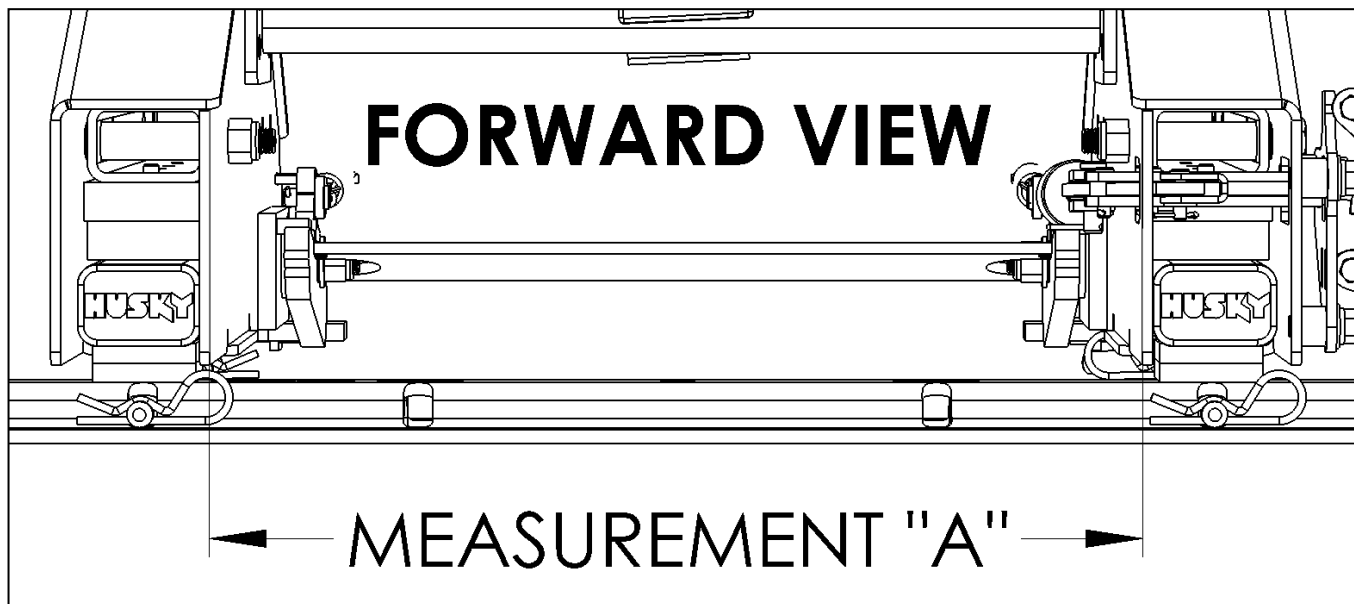
5. Push entire hitch assembly forward until there is no movement.
6. Install cross member and ensure it is centered and straight by shimming (if necessary) and then torque bolts to 75 lbs.-ft. Note: Multiple Shims can be stacked together if gap width is large.



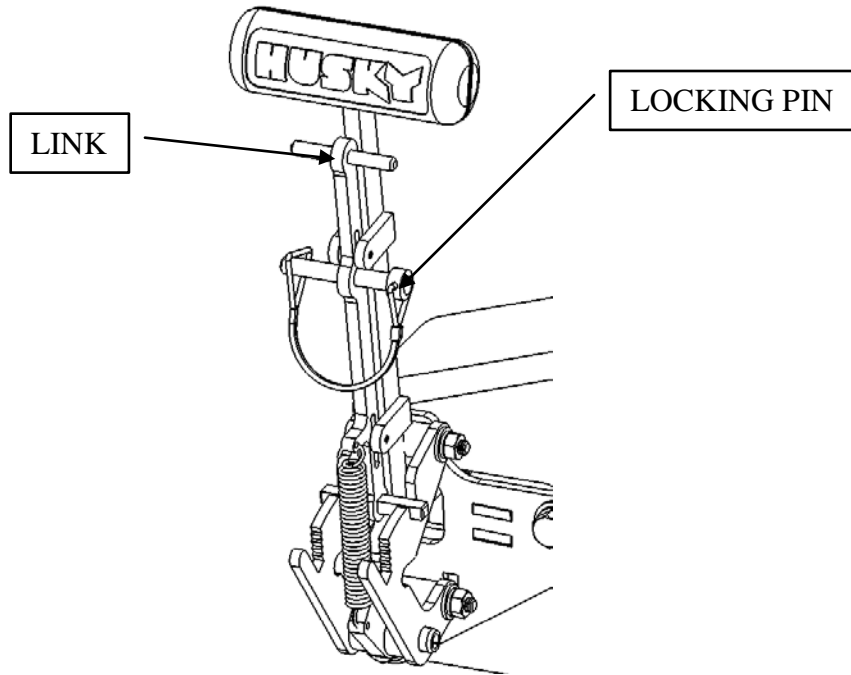
All Products limited to Vehicle Tow Rating; see Vehicle Owners Manual  
See [www.huskytow.com](http://www.huskytow.com) for Warranty Information / Tech Support ©2012 Husky Towing Products

Revision: February 12, 2013-REV 1

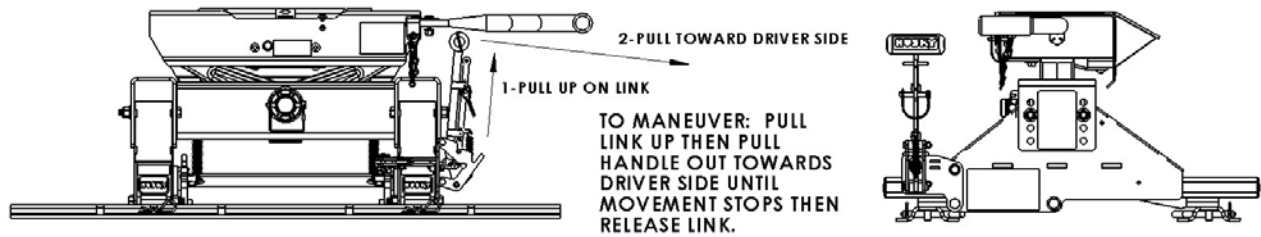
7. After shimming of cross member is complete, measure "HUSKY 10-16K" at the indicated areas shown below. Compare measurements "A" and "B", if measurements are within 1/4" of each other proceed to the next step. If not, then determine which of the shims that were placed in the cross member can be moved to achieve this difference.



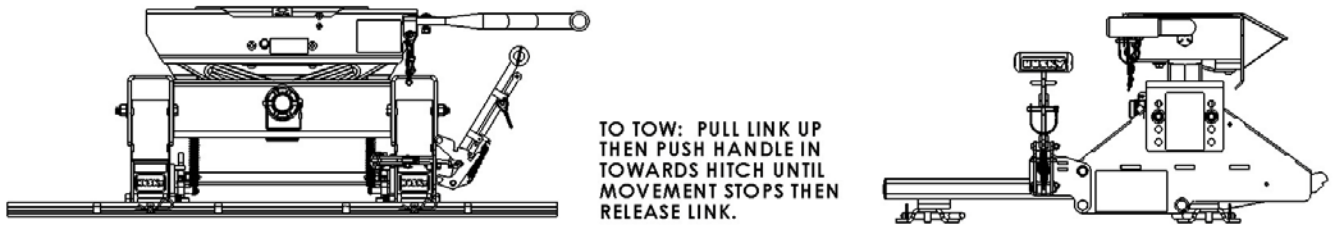
- Remove locking pin and pull up on link and then out on handle and release link then slide hitch assembly into maneuver position to ensure it slides without binding.



**FORWARD: TOWING POSITION**

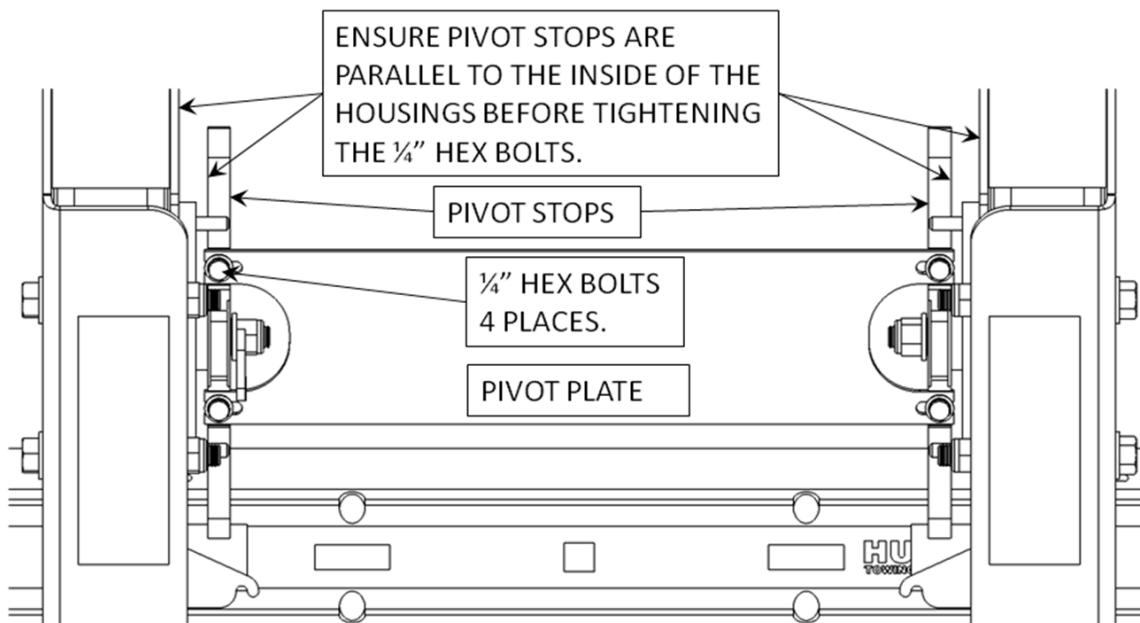


**DO NOT TOW WITH HITCH IN MANEUVERING POSITION  
CHECK HANDLE AND GLIDER POSITION BEFORE MOVING.**



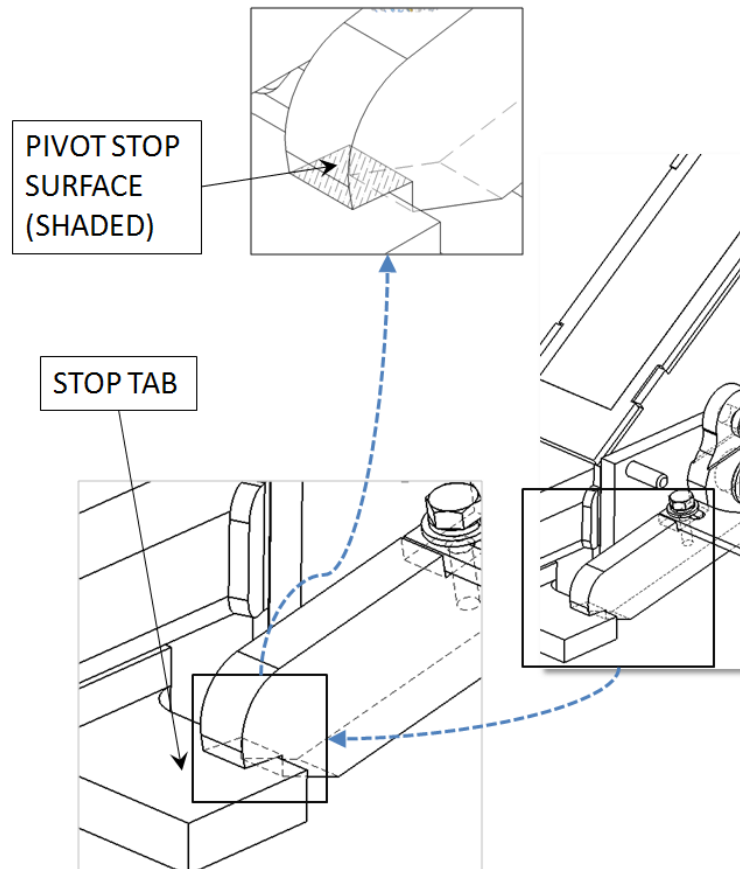
**REARWARD: MANEUVERING POSITION**

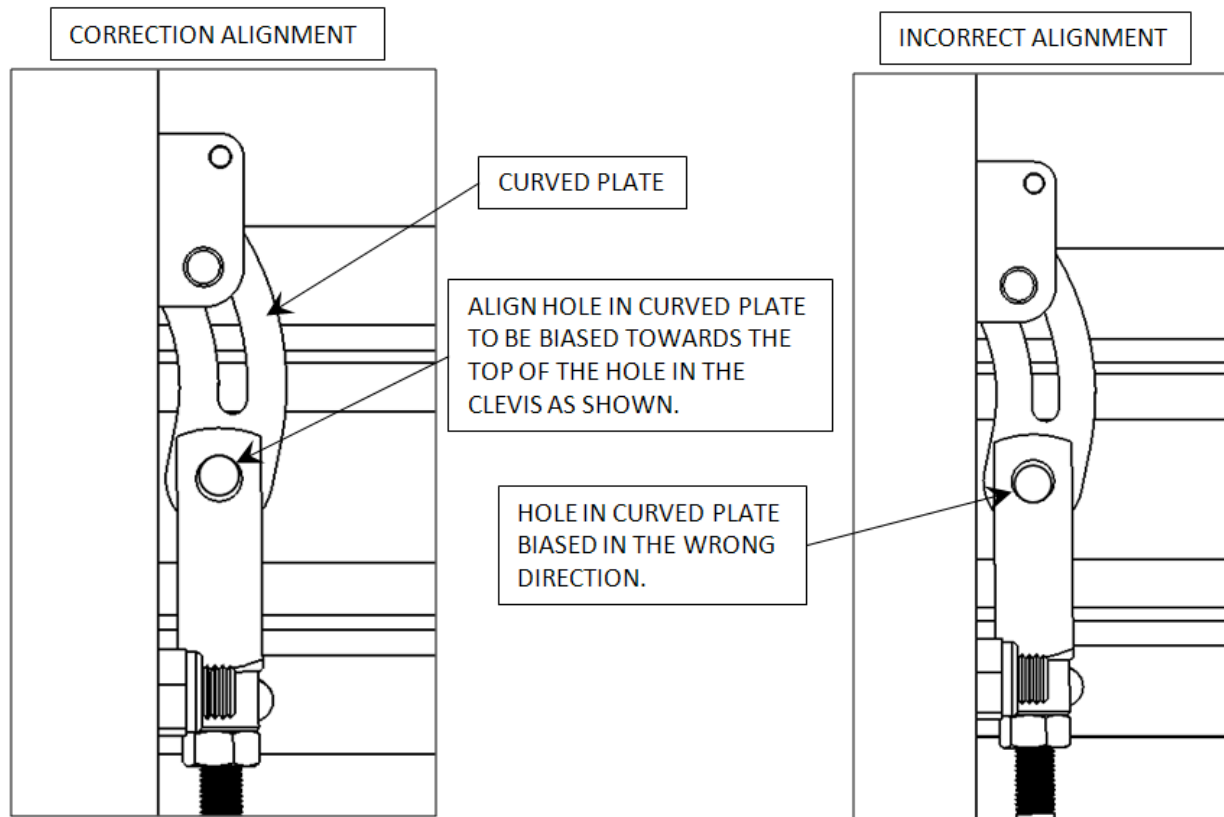
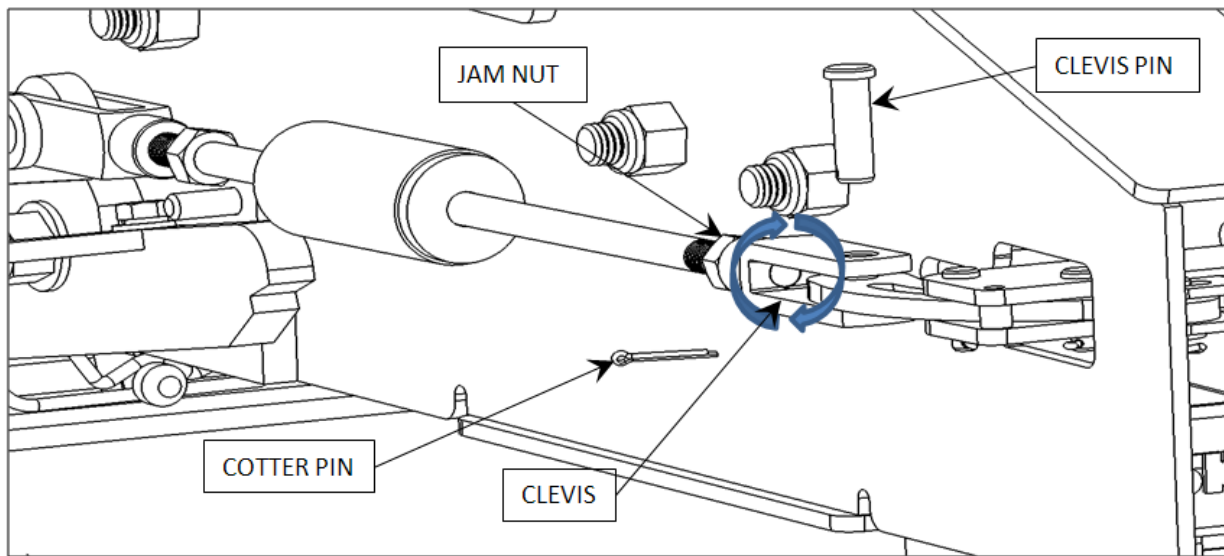
- If it does move without binding then proceed to next step, if it does not, go back to step 10.
- Return the handle to the driving position and slide the hitch assembly forward until it stops moving and the stops are engaged.
- Center pivot plate left to right and also ensure that the pivot stops are straight relative to the side of the housing and then tighten the 1/4" bolts to 8 lbs.-ft.



Partial top View of hitch assembly, some components removed to clarify instructions.

12. Check rotation of pivot plate and pivot stops to ensure it moves freely without binding.
13. With the hitch assembly in the driving position adjust the pivot stop surface so it just touches the stop tab by loosening the jam nut on the clevis/yoke; remove the cotter pin and clevis pin from the clevis that is furthest forward. Swing the clevis/yoke that is attached to the threaded shaft inwards away from the curved plate. Turn the clevis/yoke clockwise or counter clockwise to align the holes properly between the curved plate and the holes in the clevis/yoke as shown on page 13.





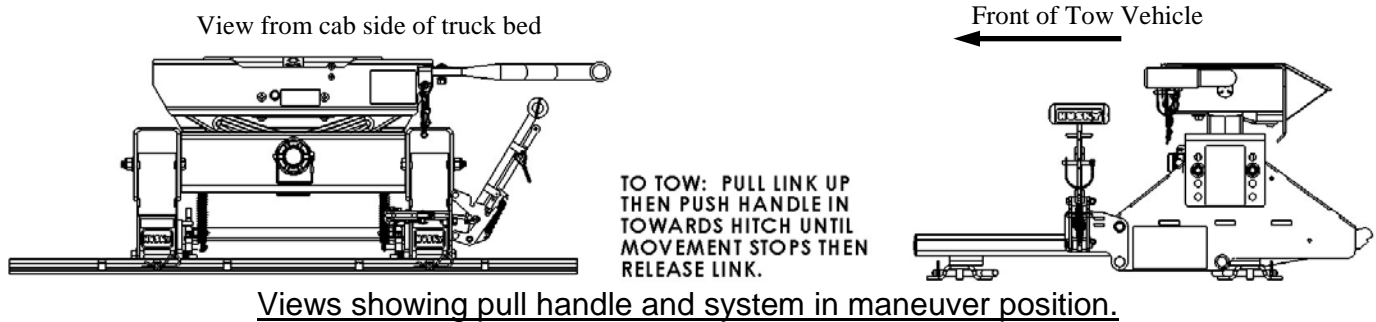
14. Re-install the clevis pin and the cotter pin.
15. Put the handle into the maneuver position and slide the hitch assembly into the maneuver position and confirm that the stop edge on the pivot stops touch the stop tab.
16. If all moves without binding and the pivot stop surface makes full contact with the stop tab in both positions then you are ready to complete the assembly by attaching the 5th wheel head and related components. Ensure cotter pin legs are bent over to prevent them from falling out.

# OPERATING INSTRUCTIONS

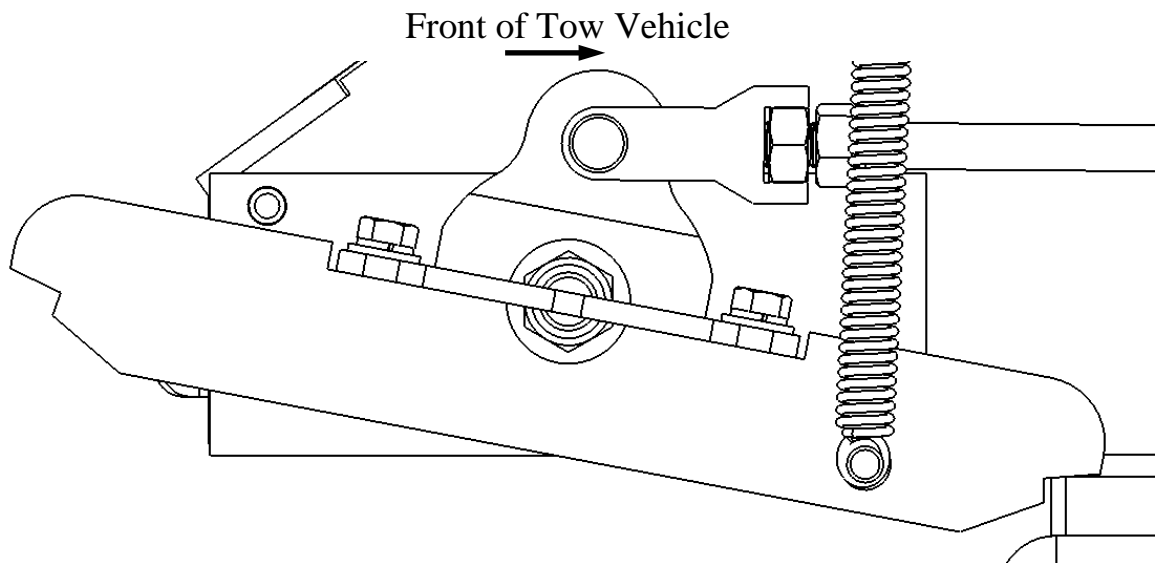
## To Maneuver:

The "HUSKY 10-16K" has an "anti-bind" feature that will allow you to change the locking handle position if the pivot stops are in a bind.

1. Align trailer and tow vehicle in a straight line on a level surface.
2. Pull up on link and out on handle then release link.



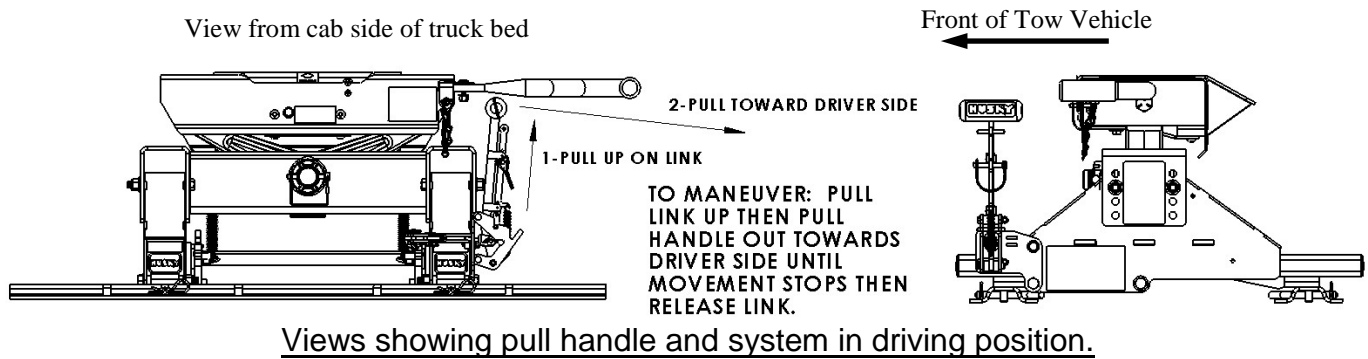
3. When the handle is put into the maneuver position, make note whether the pivot stops rotated or not. If they did then proceed to step 5.
4. If the pivot stops did not rotate then you will need to set the trailer brakes and then back the tow vehicle up slightly until you hear the pivot stops actuate. Then proceed to step 5.
5. Set the trailer brakes and slowly pull the tow vehicle forward until the "HUSKY 10-16K" stops moving and you hear the pivot stops engage.



View showing pivot stops in the maneuver "locked" position from inside of the driver side assembly.

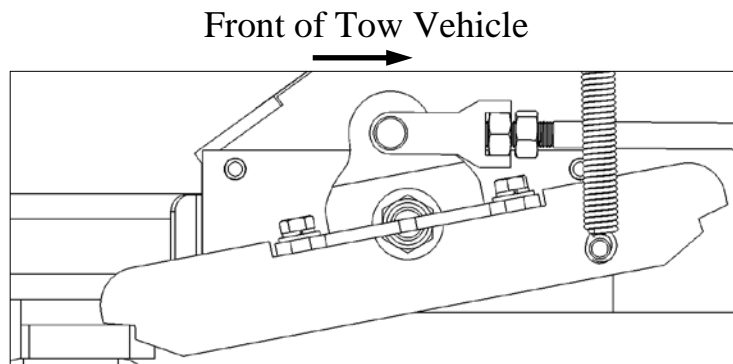
## To Tow:

1. Align trailer and tow vehicle in a straight line on a level surface.
2. Pull up on link and push in on the handle then release link.



Views showing pull handle and system in driving position.

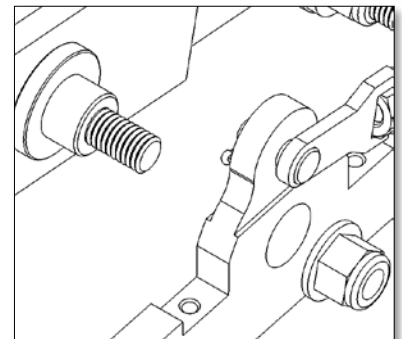
3. When the handle is put into the driving position, make note whether the pivot stops rotated or not. If they did then proceed to step 5.
4. If the pivot stops did not rotate then you will need to set the trailer brakes and then pull the tow vehicle forward slightly until you hear the pivot stops actuate. Then proceed to step 5.
5. Set the trailer brakes and slowly move the tow vehicle rearward until the "HUSKY 10-16K" stops moving and you hear the pivot stops engage.



View showing pivot stops in the driving "locked" position from inside of the driver side assembly.

## Maintenance and Care

1. Every 5,000 miles check all bolted connections to ensure the proper torque is applied. (See page 1 for proper torque values based on fastener size and grade.) Also, apply fresh grease to the pivot shafts to ensure trouble free movement of the pivot stops.
2. Using compressed air, clean cloth or hand brush periodically wipe off the sliding surface of the "HUSKY 10-16K".
3. **Do not** use any kind of lubrication on the lower sliding pad as this may affect sliding performance and accelerate wear.
4. Before each trip, it is a good idea to check the actuating mechanisms of the "16K Husky-10" for proper movement and make any corrections/adjustments if needed.
5. If system is removed from base rails with the cross member and pivot plate still installed and then replaced back into the base rails, no adjustments should be needed. **BUT**, it is a good idea to check all connections, settings and movement before towing and adjust as needed.

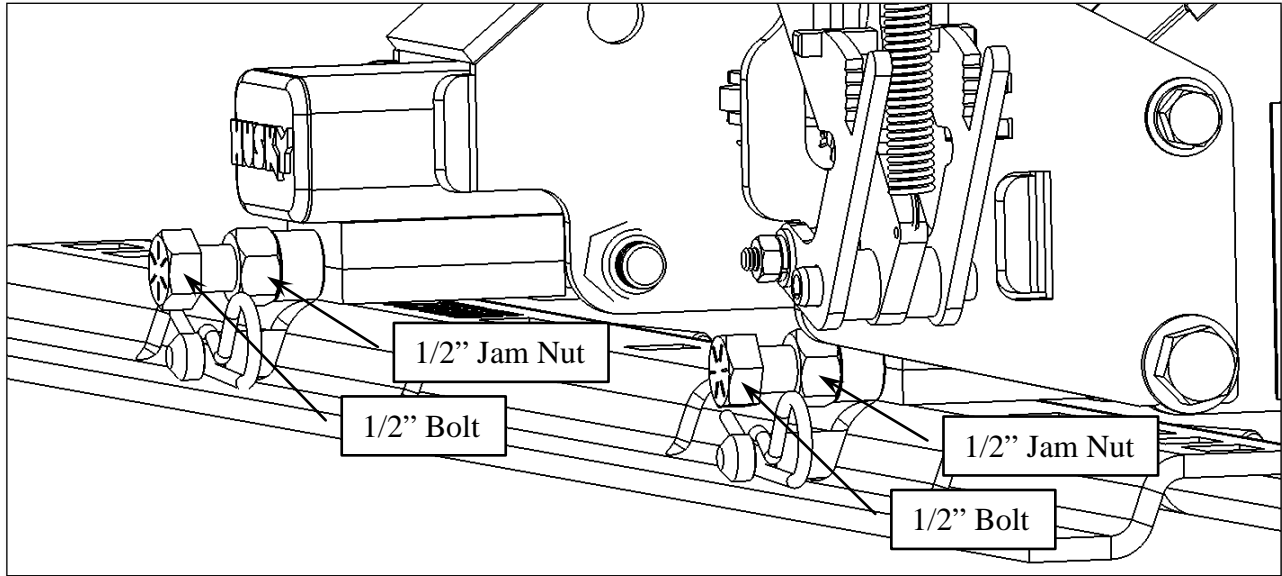




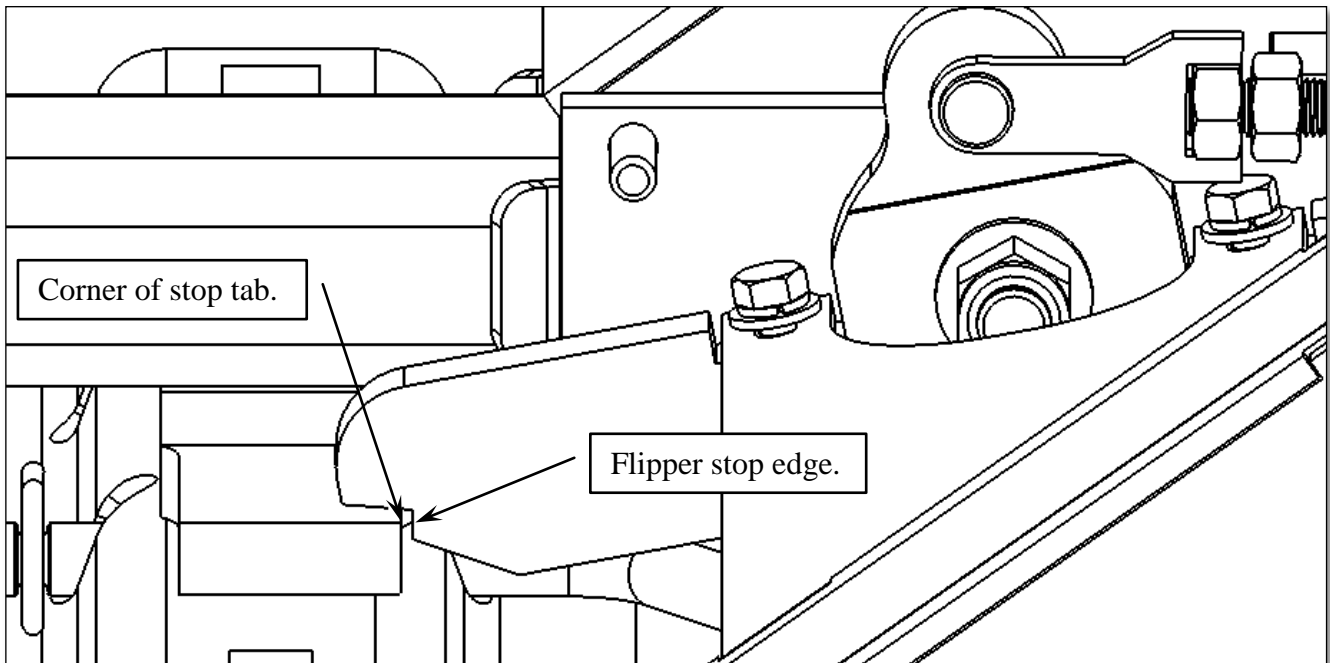
The "HUSKY 10-16K" comes from the factory with some pre-adjusted features.

### **Fore and Aft spacing bolts.**

The Fore and Aft spacing bolts are located at the forward end of the rails and are used to reduce the amount of fore and aft "free travel" the unit has during sudden speed reduction, stopping and taking off from a dead stop. You can reduce the amount of travel fore and aft by loosening the 1/2" jam nuts on the driver side and passenger side and then turn the 1/2" hex bolts clockwise 1/8-1/4 of a turn equally to both sides. You must ensure that the pivot plate and flippers can still fully rotate from the driving position to the maneuver position without binding. Once this is done tighten the 1/2" jam nuts to secure the 1/2" bolts in place.



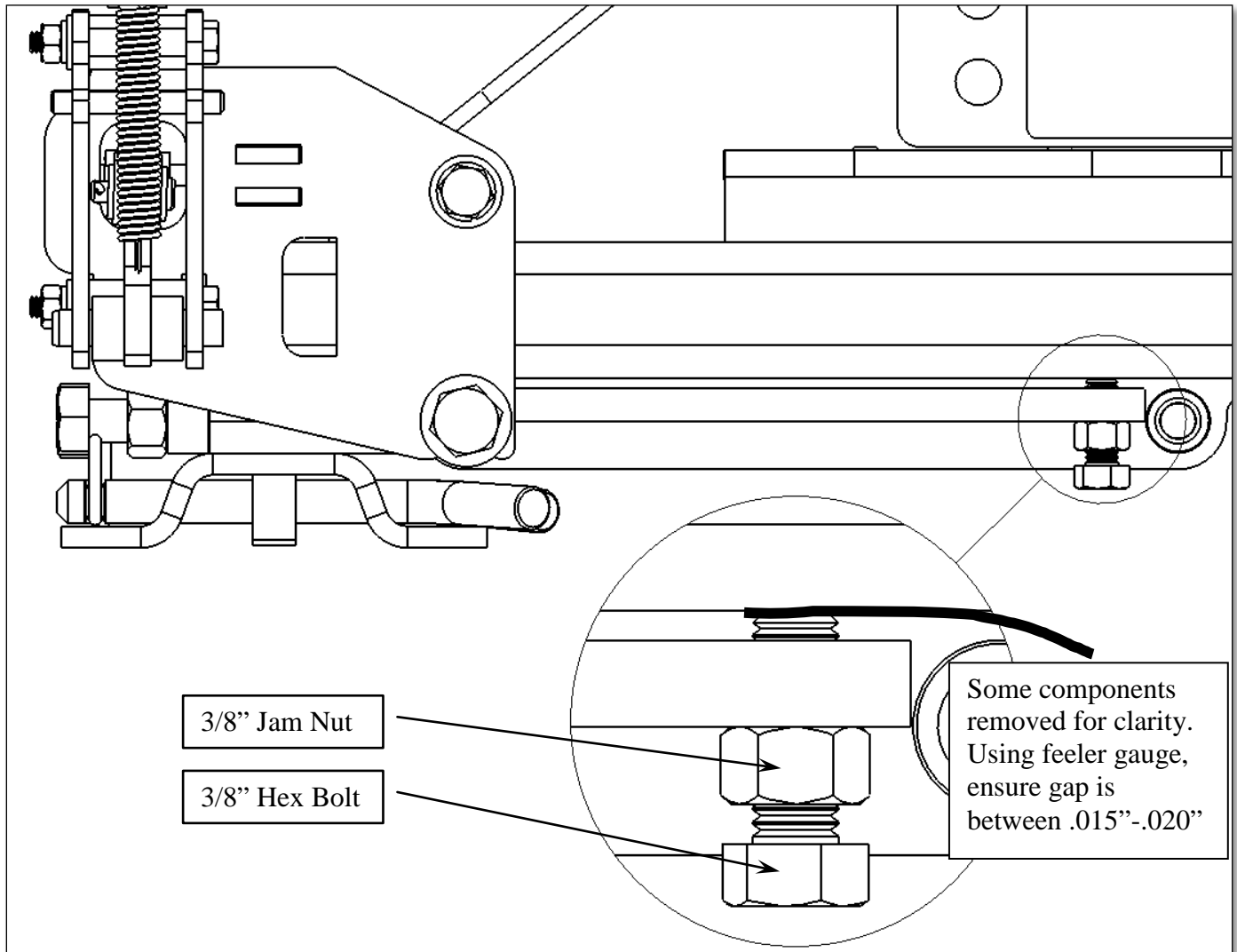
Loosen the 1/2" jam nuts and turn the 1/2" hex bolts 1/8-1/4 clockwise to reduce fore and aft movement.



The flipper stop edge must not come in contact with the corner of stop tab during rotation.

## Vertical spacing bolts.

The Vertical spacing bolts are located underneath the Driver side and Passenger side housing assemblies and are intended to reduce the amount of vertical negative load distance the housing assemblies can travel while still allowing the “system” to move fore and aft without binding. To check if the “gap” is correct, use a set of feeler gauges to check the space between the tip of the 3/8” hex bolt and the underside of the rail is no less than .015” and no more than .020”.



If gap needs to be adjusted, loosen 3/8” Jam Nut, then turn 3/8” Hex Bolt clockwise for less gap and counter clockwise for more gap. This should be checked on the driver side and the passenger side.

# Warranty Terms:

## **10-Year Limited Warranty:**

This warranty applies solely to 5<sup>th</sup> Wheel Hitches manufactured by DTS Manufacturing for Husky Towing Products.

DTS Manufacturing, Husky Towing Products and Coast Distribution make no guarantees or warranties for products not manufactured by DTS Manufacturing. Such products are covered solely under any applicable warranty of the manufacturer. It is always recommended that the operating instructions and guarantee instructions provided by the manufacturer are followed.

DTS Manufacturing warrants its products to be free from manufacturing and material defects to the original purchaser for the length of warranty stated above from the date of retail purchase. If any products are found to have a manufacturing or material defect, the product will be replaced or repaired at the option of DTS Manufacturing, Husky Towing Products and Coast Distribution with proof of purchase by the original purchaser. The original purchaser shall pay all transportation and shipping costs associated with the return of the defective product and the defective product shall become the property of DTS Manufacturing.

The Warranty applies to DTS manufactured products used for individual and recreational purposes. Commercial usage of the DTS manufactured products limits the warranty to 90-days from date of purchase.

The Warranty applies only to DTS manufactured products which are found to be defective in manufacturing or material. This warranty does not apply to normal wear and tear of to the finished placed on DTS manufactured products.

DTS Manufacturing, Husky Towing Products and Coast Distribution are not responsible for any labor costs incurred for removal or replacement of the defective product.

DTS Manufacturing, Husky Towing Products and Coast Distribution are not responsible for repair or replacement of any product under the limited warranty where the product was improperly installed, misapplied, altered, abused, neglected, overloaded, misused or damaged as a result of an accident, including any use of the product not in accordance with all product operating and safety instructions.

Without limiting the generality of the foregoing, DTS Manufacturing, Husky Towing Products and Coast Distribution shall under no circumstances be liable for any incidental or consequential loss or damage whatsoever arising out of, or in any way relating to any such breach of warranty or claimed defect in, or non-performance of the products. Some states do not allow the exclusion or limitation of incidental or consequential damages, so the above exclusion or limitation may not apply to you.

This limited warranty gives you specific legal rights, and you may also have other rights that vary from state to state.