



RAM 2500/3500
WITHOUT FLARES

FRONT MUD GUARD INSTALLATION INSTRUCTIONS

Please read instructions thoroughly before installation.

Tools Required

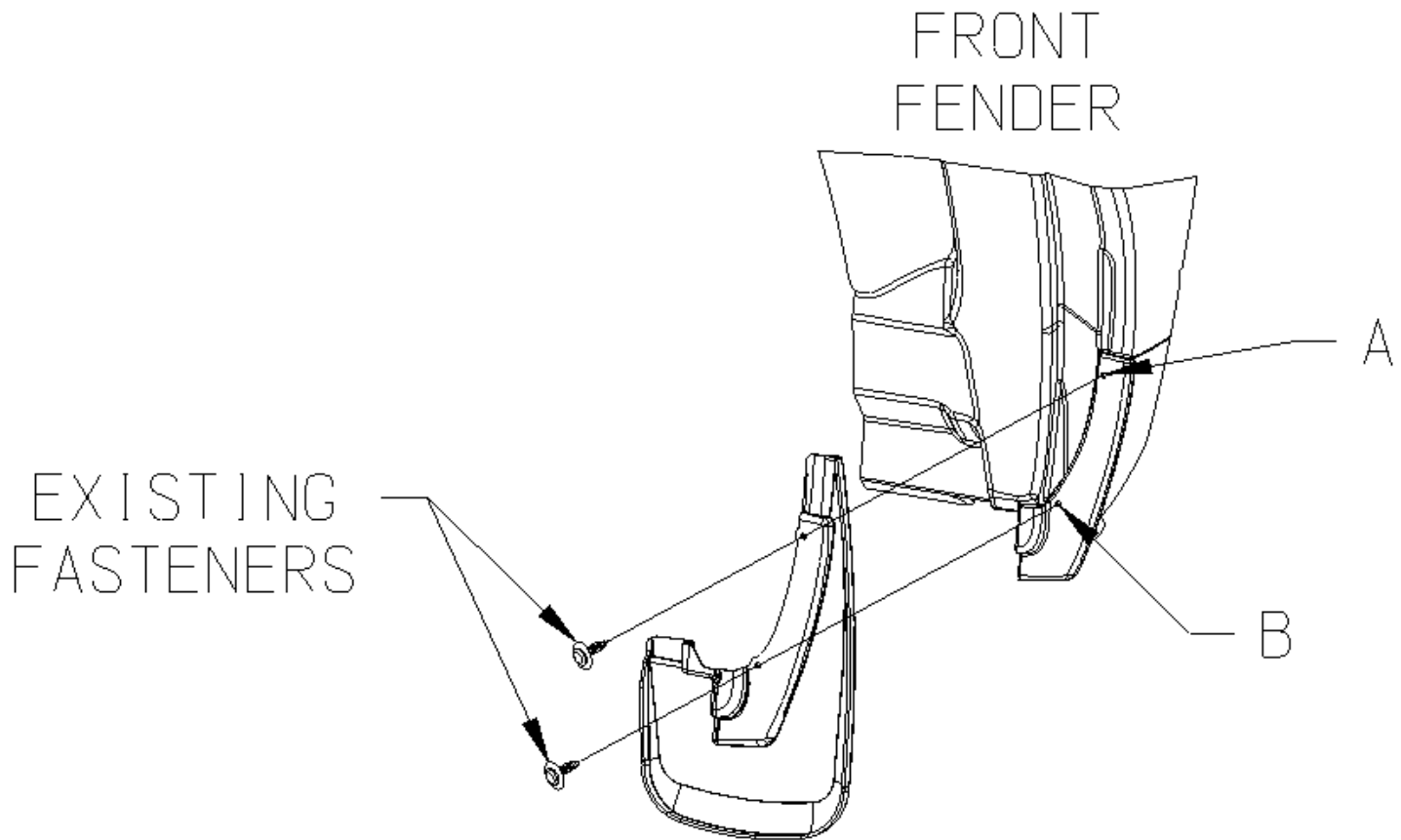
- 7/32 Socket / Driver

Package Contents

- Driver & Passenger Side Front Mud Guard
- Instruction Sheet

Determine which mudguard you have by locating the part number molded in the mounting flange (5804 DS and 5804 PS).

1. Clean and degrease the mud guard location area on the fender before installation.
2. Remove existing fasteners from locations A, and B.
3. Attach mud guard to front fender with factory fasteners at locations A and B; check fit and make sure mud guard is parallel to ground before tightening.





**RAM 2500/3500
WITHOUT FLARES**

REAR MUD GUARD INSTALLATION INSTRUCTIONS

Please read instructions thoroughly before installation.

Tools Required

- Short #2 Phillips Screwdriver
- 7/32 Socket / Driver
- 1/8" Drill Bit/Drill (Optional)

Package Contents

- Driver & Passenger Side Rear Mud Guard
- #10 SEM Screw (Qty 2)
- U-Clips (Qty 2)
- Instruction Sheet

NOTE: Depending on the tools being used for installation, it may be necessary to remove the wheels prior to installing

Determine which mud guard you have by locating the part number molded into the mounting flange (5904 DS and 5904 PS).

1. Clean and degrease the mud guard location area on the fender before installation.
4. Remove existing fasteners from locations A and B
5. Peel red protective cover from the 3M adhesive on the mud guard.
6. Attach mud guard to rear fender with factory fasteners at locations A and B, check fit and make sure mud guard is parallel to ground before tightening. Be sure to press firmly on the area with the 3M adhesive tape to make sure adhesive is set.

OPTIONAL FASTENER INSTALLATION

7. Using the mud guard as a template drill 1/8" holes at location C.
8. Install #10 SEM screw through the mud guard, fender liner and into U-clip positioned on the backside of the fender liner. The U-clip acts as a nut behind fender liner.

