



# INSTALLATION INSTRUCTIONS

## REGULATOR WARNING

This kit contains a flat diaphragm assembly that is designed to replace the old "bell" style (concave) diaphragm assembly. Because it will not fit in regulators with dual (high pressure) springs, it will not work in applications over 12 PSI. Old style diaphragm assemblies are no longer available.

Use Mallory Regulator 4305M for high pressure, fuel injected applications.

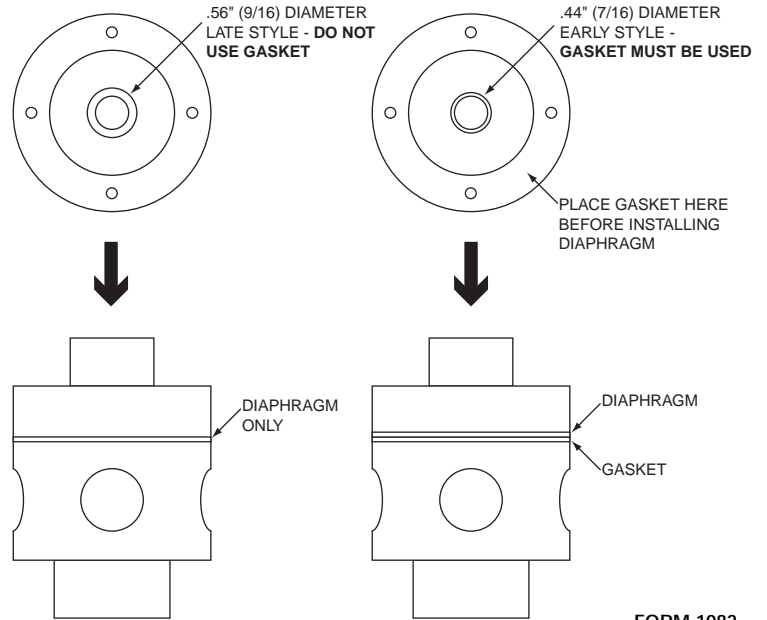
This kit is not recommended for use in fuel systems where the fuel pump produces more than 200 gallons per hour.

Use Mallory Regulator 4200, 4201, 4300M, or 4301M for fuel systems with pumps that produce more than 200 gallons per hour.

### IMPORTANT

This kit includes a .06" thick gasket. This gasket is for use ONLY with early style 4309/4310 housings that have a small diameter plunger seat.

To determine if the housing has a small or large seat diameter, remove the regulator cap and old diaphragm and look into the housing:



MALLORY IS A DIVISION OF THE MR. GASKET PERFORMANCE GROUP  
10601 MEMPHIS AVE. #12, CLEVELAND, OH 44144  
216.688.8300 FAX 216.688.8306 www.mrgasket.com

FORM 1082  
(REV. B) 09/03  
Made in U.S.A.  
Printed in U.S.A.



# INSTALLATION INSTRUCTIONS

## REGULATOR WARNING

This kit contains a flat diaphragm assembly that is designed to replace the old "bell" style (concave) diaphragm assembly. Because it will not fit in regulators with dual (high pressure) springs, it will not work in applications over 12 PSI. Old style diaphragm assemblies are no longer available.

Use Mallory Regulator 4305M for high pressure, fuel injected applications.

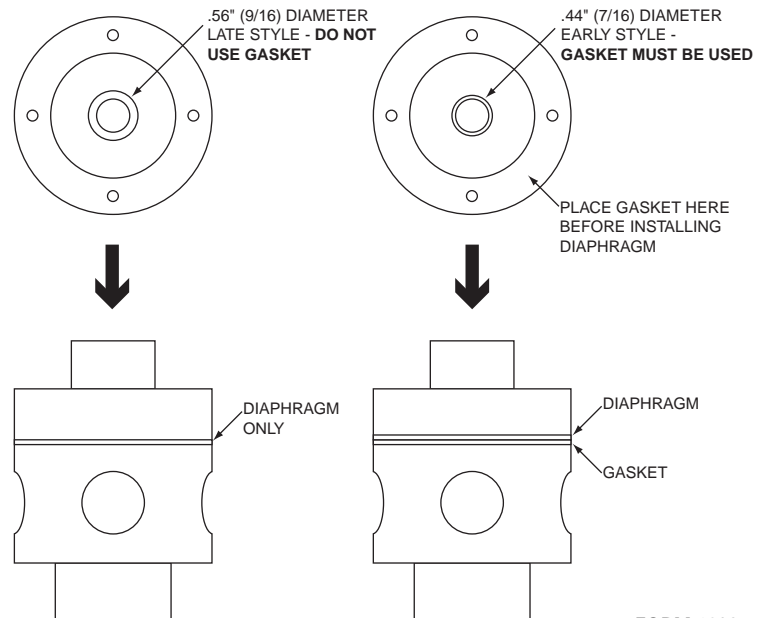
This kit is not recommended for use in fuel systems where the fuel pump produces more than 200 gallons per hour.

Use Mallory Regulator 4200, 4201, 4300M, or 4301M for fuel systems with pumps that produce more than 200 gallons per hour.

### IMPORTANT

This kit includes a .06" thick gasket. This gasket is for use ONLY with early style 4309/4310 housings that have a small diameter plunger seat.

To determine if the housing has a small or large seat diameter, remove the regulator cap and old diaphragm and look into the housing:



MALLORY IS A DIVISION OF THE MR. GASKET PERFORMANCE GROUP  
10601 MEMPHIS AVE. #12, CLEVELAND, OH 44144  
216.688.8300 FAX 216.688.8306 www.mrgasket.com

FORM 1082  
(REV. B) 09/03  
Made in U.S.A.  
Printed in U.S.A.