



## 11108 FLOWTECH I® - STANDARD FINISH HEADERS

## 31108 FLOWTECH II® - CERAMIC FINISH HEADERS

1967-1981	CHEVROLET CAMARO	283-400 V-8 ENGINE
1968-1987	CHEVROLET CHEVELLE	283-400 V-8 ENGINE
1968-1979	CHEVROLET NOVA	283-400 V-8 ENGINE
1970-1987	CHEVROLET MONTE CARLO	283-400 V-8 ENGINE
1971-1991	CHEVROLET PASSENGER	283-400 V-8 ENGINE

### WILL NOT FIT WITH STANDARD TRANSMISSION

We realize that you had many choices when you chose your headers, and we thank you for choosing ours. At FLOWTECH® we put many years of performance exhaust experience into every product we build. We feel and know you will agree that FLOWTECH® Headers are the best you can buy at any price.

As a result of the restricted room available in some engine compartments, you may experience a close fit to some body and chassis components. This is a normal condition. If this is your first time installing a set of headers, it may be time consuming. While not complex, stick with it. As soon as you start your engine, the reward of additional horsepower and performance will be well worth your efforts. Proper installation and periodic maintenance will result in maximum performance and life from your FLOWTECH Headers.

### READ THESE INSTRUCTIONS CAREFULLY BEFORE STARTING:

**For ease of installation, your vehicle must be raised a minimum of 36". Warning: should you decide to install any exhaust product yourself, be warned that the original equipment jack that came with the vehicle is intended for emergency use only. The use of a frame jack in conjunction with a floor jack as main support is highly recommended to minimize the accidental dropping of a vehicle while the installation proceeds. Never go under any vehicle that is supported only by a bumper jack!**

#### 1. PREPARE THE CAR FOR INSTALLATION:

- Disconnect the battery to prevent accidental damage to the electrical system.
- Remove the stock exhaust manifolds and stock headpipe.
- Disconnect the water temperature-sending unit.
- Remove the oil dipstick tube and spark plugs.

#### 2. CHECK THE CONDITION OF THE ENGINE MOUNTS

**INSTALLATION NOTES:** It is recommended that new engine mounts be installed before installing headers.

#### 3. LEFT SIDE HEADER INSTALLATION:

- Starting from below place the header into position over the exhaust ports. Do not start the bolts.
- Place the gasket into position. Install the front and rear header bolts. Do not tighten.
- Install the balance of the bolts. Tighten all header bolts progressively and evenly until they are tight.

- Check and reroute all hoses, wires, and brake lines, if necessary, making sure there is proper clearance.

#### 4. RIGHT SIDE HEADER INSTALLATION:

- Starting from above, (start from below if air conditioning equipped on right side of engine) work the header into position over the exhaust ports.
- Place the gasket into position. Install the front and rear header bolts. Do not tighten.
- Install the balance of the bolts. Tighten all header bolts progressively and evenly until they are tight.

#### 5. AFTER HEADERS ARE IN PLACE:

- Inspect all points with limited clearance. Relocate any points that have direct contact with the headers. Make sure there is adequate clearance around all lines (transmission, brake, fuel and electrical wires). Reroute as necessary. Before installing your exhaust system, replace any fluids that you may have removed or lost.
- Reinstall the oil dipstick tube.
- Reinstall the spark plugs and wires.
- Reconnect the temperature-sending unit.
- Reconnect the battery cable.

#### 6. CONNECT THE EXHAUST SYSTEM:

- Bolt the reducers and gaskets to the header collectors.
- Attach the exhaust system by either welding or clamping the exhaust pipes to the reducer adapters.

When you have finished installing your FLOWTECH® Headers, take the vehicle for a road test. Listen carefully for any exhaust leaks or other strange noises and make corrections. When the vehicle has been driven for a few days, retighten the header bolts. We find that periodically checking the bolts will prevent the flange from warping and the burning out of the header gaskets.

HOW DID WE DO? YOUR QUESTIONS AND COMMENTS ARE ALWAYS WELCOME AT FLOWTECH®. OUR TECHNICAL SERVICES DEPARTMENT IS OPEN MONDAY THROUGH FRIDAY, DURING THE HOURS OF 8:30 AM UNTIL 4:30 PM CENTRAL TIME. WE CAN BE REACHED AT:

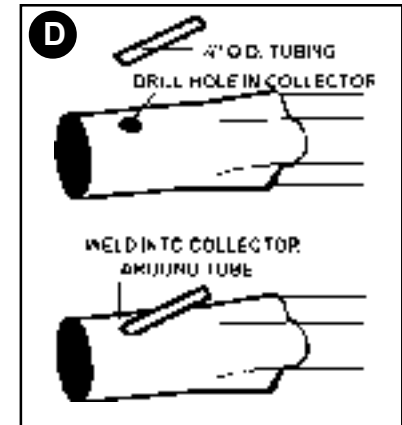
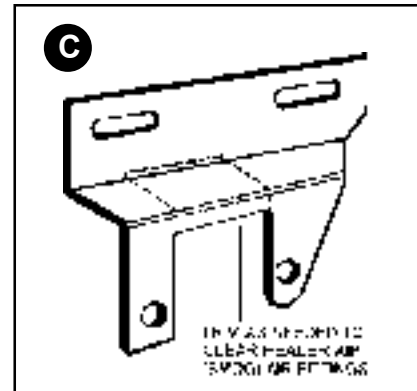
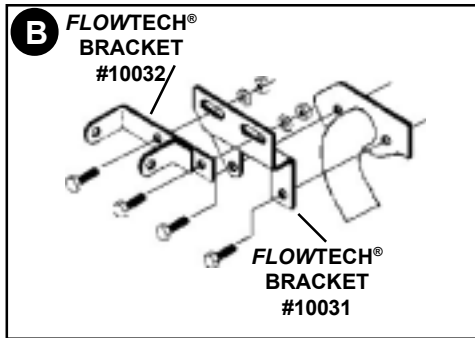
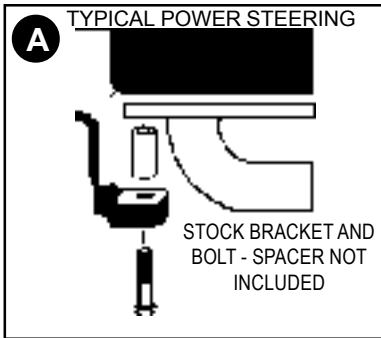
**1801 Russellville Road • Bowling Green, KY 42102**

**PHONE 270-781-9741 • FAX 270-781-9772**

**flowtech@support.holley.com**



P/N 11108 - REVISED 01/09/01



**FLOWTECH**  
by **Holley**

THE PERFORMANCE EXHAUST COMPANY™  
1801 Russellville Road • Bowling Green, KY 42102  
PHONE 270-781-9741 • FAX 270-781-9772  
flowtech@support.holley.com

**LIMITATION OF LIABILITY - DISCLAIMER:** The regulation of emissions production, noise levels and safety standards is undertaken by the federal government, each of the fifty state legislatures and by many local municipalities, towns and countries.

FLOWTECH makes no warranties of merchantability, of fitness for particular purpose. Or that its products are approved for general use, or that its products comply with laws, regulations or ordinances in the states where they may be sold to the ultimate purchaser, the consumer.

Unless expressly stated to the contrary in the accompanying catalog, instruction sheet or price list, the entire risk as to the conformity of any company product in any such state and as to repair should the product prove to be defective or nonconforming, is on the retail purchaser, the buyer, the ultimate consumer of such product and it is not upon the seller, distributor or manufacturer.

In the connection, the retail purchaser, the buyer, the ultimate consumer assumes the burden of the entire cost of any and all necessary service, alterations or repair.

**THE FOREGOING STATEMENT LIMITS THE LIABILITY OF THE MANUFACTURER.**

California vehicle code sections 27156 and 38391 prohibit the advertising, offering for sale, or installation of any device that modifies a vehicle's emissions control system unless exempted. Unless otherwise noted, FLOWTECH headers have not received an exemption from these code sections and are not legal for sale or use in California on vehicles originally equipped with catalytic converters. It is illegal, except for racing vehicles that may never be driven upon a highway. To remove or otherwise render inoperative any emission control device on regulated motor vehicles (check catalog listings to insure proper application). In the other 49 states, unless otherwise noted, FLOWTECH headers are not legal for pollution controlled motor vehicles, except for racing vehicles that may never be used upon a highway and are not intended or applicable for highway use.