

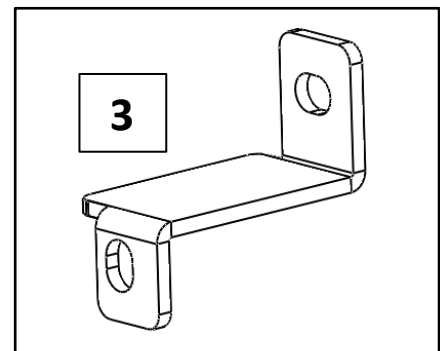
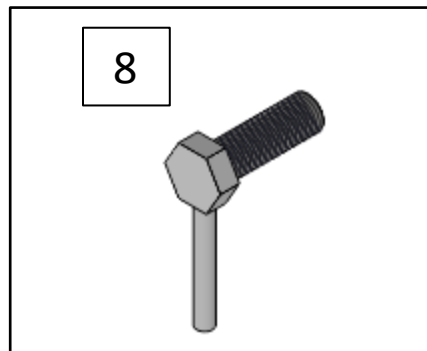
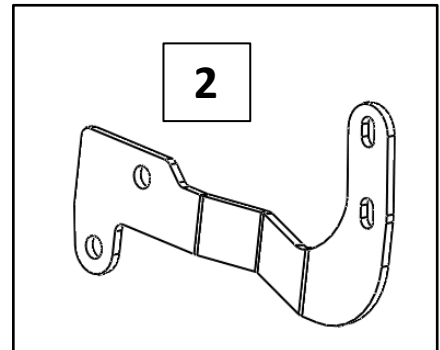
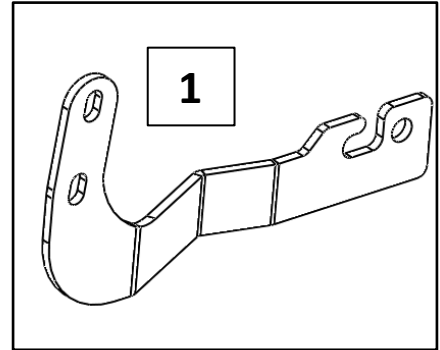
Installation Instructions RHINO CHARGER-RC2 Brackets Part # 55195

2014 GM Sierra 1500 SLT – All Terrain

**Do not attempt to install this product on any vehicle other than the one listed above!
Exc. Driver Alert Package**

Parts List

Item	Qty.	Part #	Description	Torque
1	1	524774AA	Driver Side Main Bracket	-
2	1	524774BA	Passenger Side Main Bracket	-
3	1	524774CA	Passenger Side Auxiliary Bracket	-
4	4	-	3/8"x 1" Carriage Head Bolt	30 Ft. Lbs.
5	4	-	3/8" Flat Washer	-
6	4	-	3/8 Lock Washer	-
7	4	-	3/8" Hex Nut	30 Ft. Lbs.
8	4	524760AA	1/2" Rod Bolt	65 Ft. Lbs.
9	1	-	1/2" x 1 1/2" Hex Bolt	65 Ft. Lbs.
10	5	-	1/2" Flat Washer	-
11	5	-	1/2" Lock Washer	-
12	5	-	1/2" Hex Nut	-



Tool Required:

18mm, 9/16" & 3/4" Socket
18mm, 9/16" & 3/4" Wrench
Ratchet & Ratchet Extension

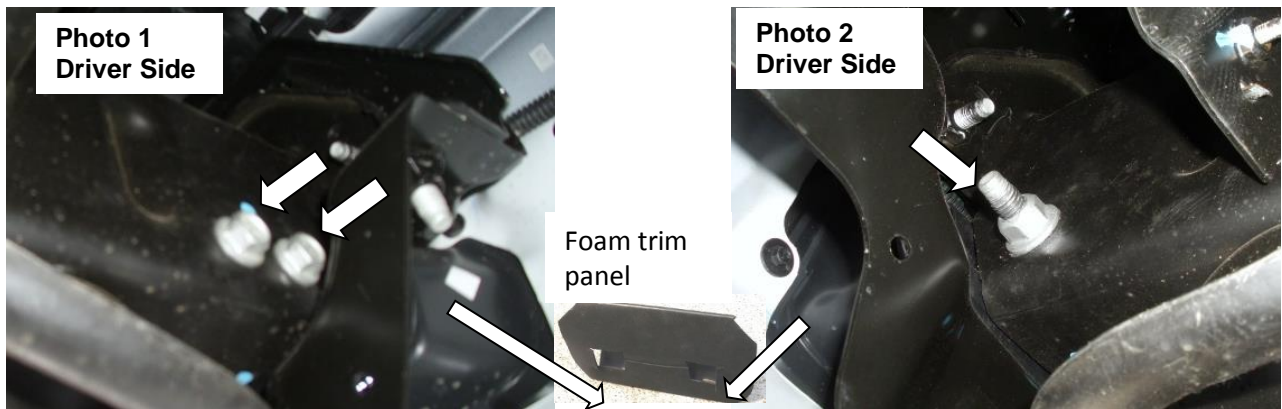
Approximate Installation Time: 45 min

Note: If your vehicle is not equipped with factory tow hooks, attach the main brackets and auxiliary bracket to the frame using the supplied 1/2" rod bolts, 1/2" flat washers, 1/2" lock washers and 1/2" hex nuts

Read the installation instructions completely and verify that all of the parts listed are accounted for. If you have defective, missing or damaged parts or need assistance, please contact *Go Rhino Products* for fast, friendly customer service at: 1-888-427-4466 or email: warranty@gorhino.com

Installation

Step-1 Beginning with the driver side, remove the tow hook rear bolt, nut from the front bolt, (Photo 1 & 2) and the foam trim panel from the tow hook opening.



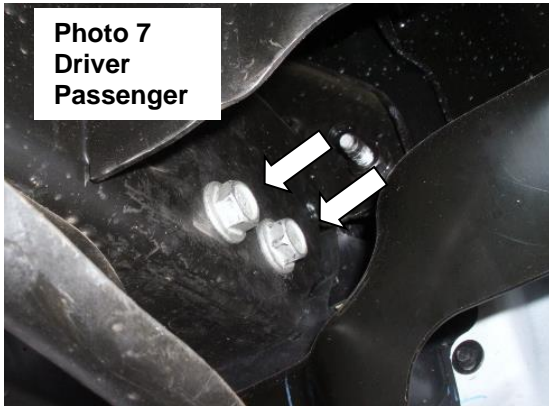
Step-2 Shift the front tow hook bolt toward the center of the vehicle, then from the tow hook opening, slide the vehicle attachment end of the driver side main bracket under the frame, and rotate the bracket, (Photo 3 & 4).



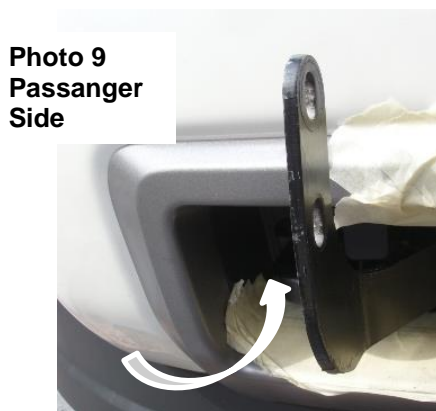
Step-3 Hook the slot in the bracket over the shank of the front tow hook bolt, reinstall the front bolt nut and rear tow hook bolt to secure the bracket to the side of the frame, (Photo 5). Leave the nut and bolts loose for final adjustment.



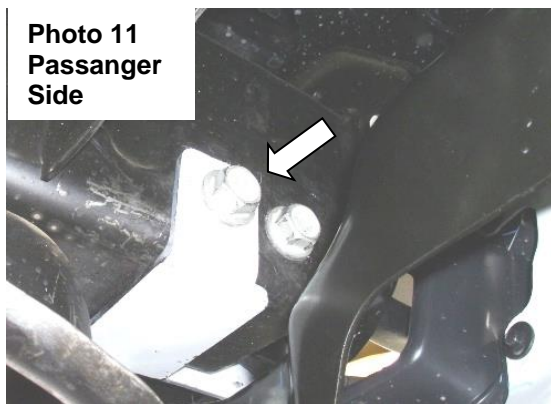
Step-4 Passenger side, remove the tow hook rear bolt, nut from the front bolt, (Photo 7 & 8) and the foam trim panel from the tow hook opening.



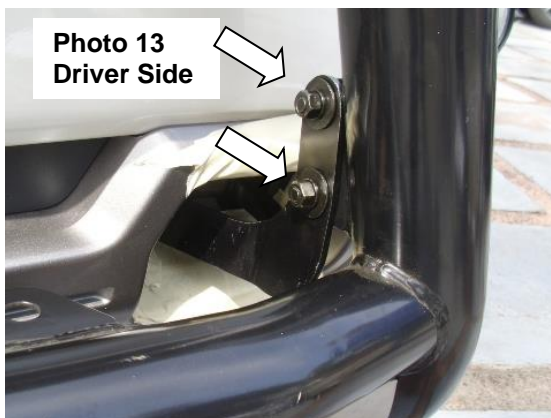
Step-5 From the tow hook opening, slide the vehicle attachment end of the passenger side bracket under the frame, rotate the bracket and position the upper attachment hole in the bracket over the shank of the front tow hook bolt and reinstall the nut, (Photo 9 & 10). Leave the nut and bolt loose for final adjustment.



Step-6 Attach the passenger side auxiliary bracket to the side of the frame using the tow hook rear bolt and to the passenger side main bracket using (1) 1/2" x 1 1/2" hex bolt, (1) 1/2" flat washer, (1) 1/2" lock washer and (1) 1/2" hex nut, (Photo 11 & 12). Leave the factory and supplied nuts and bolts loose for final adjustment.



Step-7 With assistance, position the RHINO CHARGER up to the main brackets and attach the mounting flanges to the outside of each bracket using (2) 3/8" x 1" carriage bolts, (2) 3/8" flat washers, (2) 3/8" lock washers and (2) 3/8" hex nuts, (Photo 13 & 14).



Step-8 Align the RHINO CHARGER with the vehicle and tighten all factory and supplied nuts and bolts.

Remember to check and retighten the nuts and bolts periodically.

