

**INSTALLATION INSTRUCTIONS**  
**PART#4346(B-C-PS)**  
**05-13 FRONTIER KING CAB. (USA)**

<b>Parts List:</b>	(1) Hardware kit including:
<b>QTY</b>	T01 (12) M8 Hex nut
P01 (1) Side bar set Driver & Passenger	T02 (12) 5/16" Flat washer
P02 (3) Main mounting brackets set Driver & Passenger	T03 (12) 5/16" Lock washer
	T04 (12) 3/8 x 1 1/4" Hex. Head bolt
	T05 (12) 3/8" Flat washer
	T06 (12) 3/8" Lock washer

<b>Tools required:</b>	Ratchet
Socket & Wrench 13 mm	Extension to ratchet
Socket & Wrench 9/16"	

**Instructions:** **Approximated installation time: 30 min.**

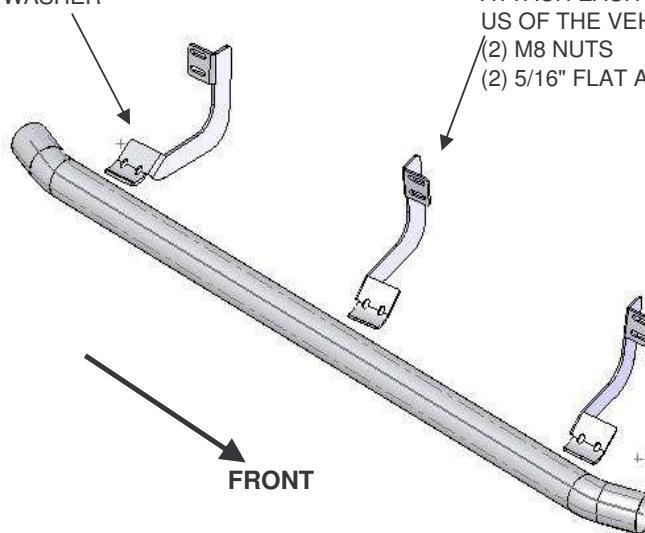
1. Read and understand instructions completely before beginning installation.
2. Identify the correct side before installing, the track but near the fold of the Side bar it is towards atras of vehicle.
3. Identify below in the rocker panel, in the sides, spiral per us to the front, center and rear of vehicle.
4. Install brackets on spiral per us to the front, center and atras of vehiculo and attach with ( 2 ) nuts M8, ( 2 ) flat and lock washer 5/16". Leave loose.
5. It mounts the Side bar on brackets and attach with ( 2 ) 3/8 x 1 1/4" hex head bolt, ( 2 ) flat and lock washer ,by each bracket. Leave loose.
6. Make any final alignment to the side bar and tighten all bolts.
7. Remember to check and re-tighten all bolts periodically.

**Assembly Diagram:**

**ILLUSTRATION**

ATTACH THE SIDE BAR TO EACH BRACKET  
 WITH:  
 (2) 3/8 x 1 1/4" HEX HEAD BOLT  
 (2) 3/8" FLAT AND LOCK WASHER

ATTACH EACH BRACKET TO THE SPIRAL PER  
 US OF THE VEHICLE WITH:  
 (2) M8 NUTS  
 (2) 5/16" FLAT AND LOCK WASHER



THE ILLUSTRATION SHOWS THE PASSENGER SIDE.

**Cleaning and care instructions:**

Diseño:

Calidad:

Protect the finish with a non-abrasive automotive wax, (e.g. Pure Carnauba) on a regular basis. The use of any soap, polish, or wax that contains an abrasive is detrimental to the finish, as the compounds scratch the finish and cause corrosion.