

INSTALLATION INSTRUCTIONS

4108

00 – 04 Dodge Dakota P.U. Quad Cab 4 Dr

Parts List :

QTY

- (1) Sidebar set
(Driver & Passenger)
- (2) Front mounting bracket
- (2) Front auxiliary mounting bracket (4WD models)
- (2) Rear mounting bracket

(1) Hardware kit including :

- (2) 1/2 x 2" Flat head bolt
- (2) 1/2 x 2 1/2" Hex head bolt
- (2) 1/2 x 7 1/2" hex head bolt
- (6) 1/2" Flat washer
- (6) 1/2" Lock washer
- (2) 1/2" Hex nut

Tools Required :

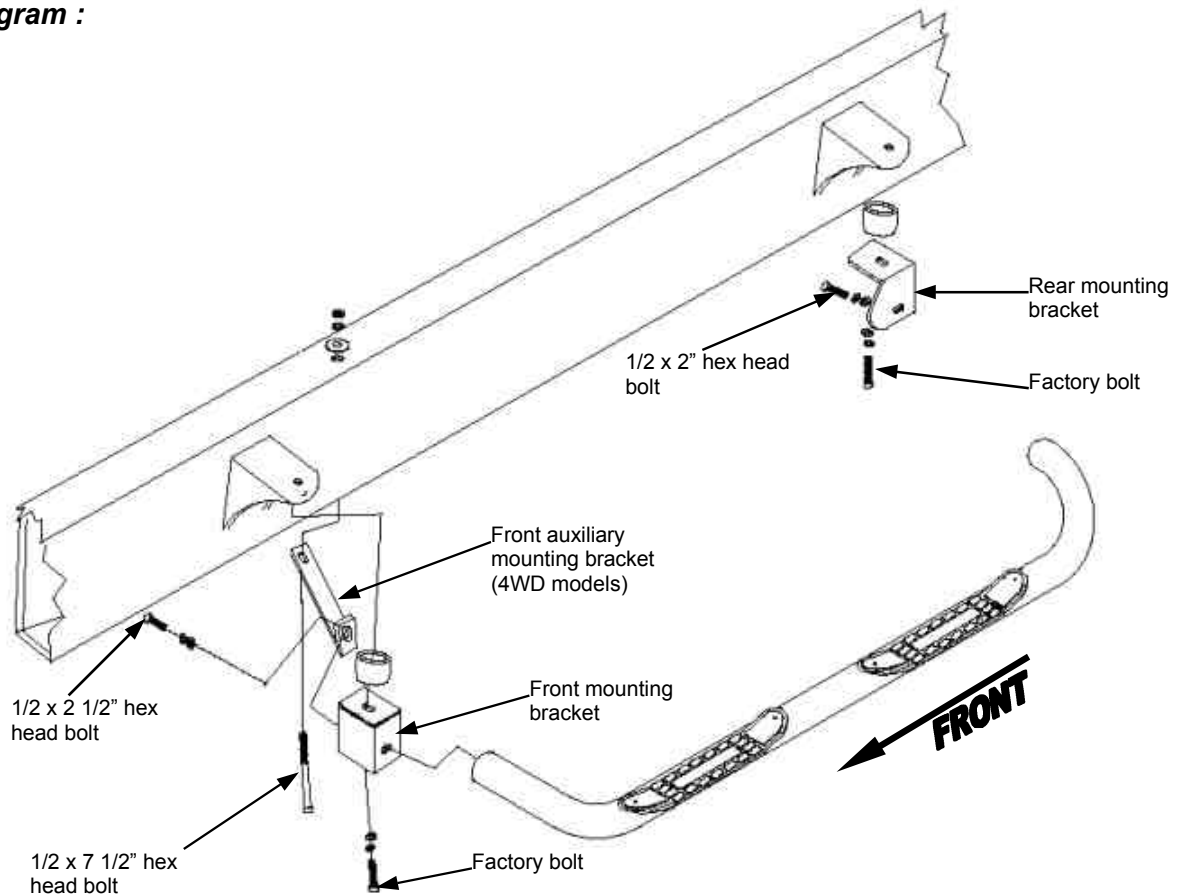
- 3/4" Socket
- 3/4" Wrench
- Ratchet
- 19mm Socket

Instructions :

Approximated installation time: 30 min.

1. Read and understand instructions completely before beginning installation.
2. Sidebar set consist of a driver and passenger side. The longest leg is the front leg. Be sure to determinate the correct side before installation.
3. Remove the body mounting bolts from mounts located under the cab of the vehicle. Place the front/rear mounting brackets up to the body mounts and attach using the bolts removed. Leave loose.
4. To install front auxiliary mounting bracket onl y 4WD models , bolt to the bottom side of the vehicle frame, (just inside the front body mount), using a 1/2 x 7 1/2" hex head bolt, flat & lock washers and hex nut. Leave loose.
5. Place the sidebar up to the mounting brackets. Bolt front mounting brackets using 1/2 x 2 1/2" hex head bolt, flat and lock washers. Bolt rear mounting bracket using the 1/2 x 2" hex head bolt, flat and lock washers. Leave loose.
6. Make any final adjustments to the alignment of the sidebar and tighten all bolts. Repeat for the opposite side.
7. You may need to periodically re-tighten the bolts.

Assembly Diagram :



Cleaning and care instructions :

Protect the finish with a non-abrasive automotive wax, (e.g. Pure Carnauba) on a regular basis. The use of any soap, polish, or wax that contains an abrasive is detrimental to the finish, as the compounds scratch the finish and cause corrosion.