



WILDERNESS ROOF RACK

UNIVERSAL-CLAMP ON-LIGHT BRACKET [4" SIDE RACK]

Part # 88134

Parts List

- 1-Front Light Bracket(4" High)
- 1-Rear Support Plate(2" x 4")
- 2-5/16 x 2 Carriage Bolts
- 2-5/16 Regular Nylon locknuts
- 2-5/16 Flatwashers

Installation Instructions

1. Clamp light bracket anywhere on the roof rack.
2. The light bracket can be mounted in the high position or low, as shown in figure 2.

FIGURE 1

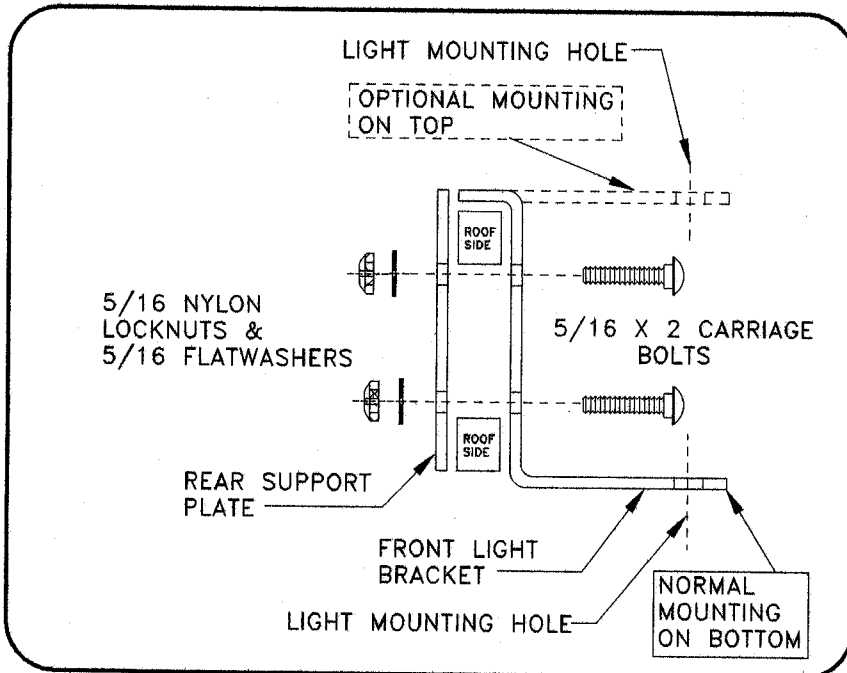
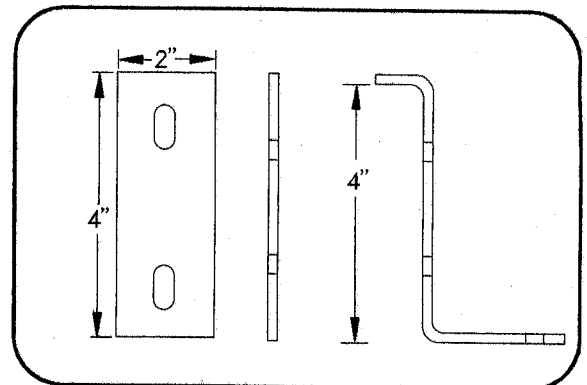


FIGURE 2



[DRAWING# WA88134]

MFG. BY GARVIN INDUSTRIES 316 MILLAR AVE. EL CAJON, CA. 92020 [619]-440-7415