



*Manufacturers of Specialty Products
for Sport Utility and 4X4 Vehicles*

316 Millar Avenue; El Cajon, CA 92020
Phone (619)440-7415; FAX (619)440-0851

Wilderness Jeep Expedition Rack

Part #: 34076

Parts List

2-Rack Ends(4'6" x 4")
2-Sides(48" x 4")
7-Floors(66")
4-Top Crossbar Brackets
2-Front Support Brackets(Right & Left)
2-Inside Top Support Brackets

Rack and Flooring

14-Black End Caps
14-1/4 x 1 1/2 Bolts
14-1/4 Lockwashers
14-1/4 H.D. Flatwashers(1 1/4" Dia.)
8-5/16 x 1 Bolts
8-5/16 Nylon Locknuts
16-5/16 Flatwashers(9/16" Dia.)

License Plate

4-1/4 x 3/4 Bolts
4-1/4 Flatwashers
4-1/4 Nylon Locknuts
1-2" Soft Velco Strip

Roof Rack Top Mounting

4-3/8 x 2 Carriage Bolts
4-3/8 H.D. Flatwashers(1 3/8" Dia.)
4-3/8 Regular Nylon Locknuts

Tilt Brackets

4-5/16 x 2 All Thread Bolts
4-5/16 Nuts
2-5/16 Wingnuts

2-Rear Support Brackets(Right & Left)
2-Top Support Brackets
2-Lower Support Brackets(Right & Left)6 1/2" Long
2-Inside Support Angles
2-Tilt Support Brackets

Front Support Brackets

4-5/16 x 1 1/4 Bolts
4-5/16 Lockwashers
4-5/16 Flatwashers
4-3/8 Nylon Washers(1 1/8" Dia.)

Lower Support & Top Support

6-5/16 x 1 Carriage Bolts
2-5/16 x 1 Bolts
10-5/16 Flatwashers
8-5/16 Nylon Locknuts
4-5/16 Nylon Washers

Roof Rack Rear Support

4-3/8 x 2 1/4 Bolts
8-3/8 Flatwashers(1" Dia.)
6-3/8 Nylon Washers(1 1/8" Dia.)
4-3/8 Regular Nylon Locknuts

Wilderness Jeep Expedition Rack

Part# 34076

Installation Instructions

1. Remove license plate, remove taillight. Cut off license plate bracket, as shown on page 3. Re-install taillight.
2. Measure and drill 6-3/8" dia. holes as shown on page 3. Double check measurements before drilling.
3. Remove the two rear body mount bolts, refer to page 3, figures AA & B, and page 8, figure N. Loosen the three body mount bolts, located below the door about three turns, refer to page 8, figure N.
4. On one side, use a long screwdriver or pry bar and raise the body away from the rear body mount and top washer. Take the lower support bracket and slide under the body and on top of the rubber mount washer, as shown on page 4, figure E. Lower body on rubber mount and re-install rear body mount bolt, leave loose. Line up the square hole in the support bracket with the 3/8" dia. round hole that was drilled. Install the 5/16 x 1 carriage bolt through the square hole and round hole as shown on page 4, figure E. Repeat procedure on other side.
5. Install the inside support angle bracket(long side up) as shown on page 4, figure E. On some vehicles a rubber covering must be moved to gain access to the area.
6. Tighten all mounting hardware and all body mounting bolts at this time.
7. Install top support brackets and inside supports as shown on page 4, figure D. Level brackets and slightly tighten to hold in place
8. Install the rear support brackets to the lower support and top support brackets, slightly tighten to hold in place, as shown on page 4, figure C.
9. Install front support brackets as shown on page 5, figures F & G. Adjust front brackets and tighten all mounting hardware.
10. Assemble roof rack as shown on page 6.
11. Install the black caps on the flooring and install the flooring to roof rack crossbars, as shown on page 7. Refer to yellow caution sheet before tightening floors.
12. With some help, set the assembled roof rack and flooring on the four roof rack support brackets and secure as shown on page 4, figure C(Rear) and page 5, figure F(Front). Align roof rack and tighten mounting hardware.
13. Install spring load license plate bracket to the license plate bracket on left rear support arm. Install soft Velcro to upright to prevent chipping. Page 4, figure C.
14. Re-check and tighten all mounting hardware.
15. Assemble tilt brackets as shown on page 8, figure M. The tilt brackets are to be kept in vehicle until used to hold the rack in place for soft top removal.
16. To raise the empty roof rack, refer to page 8, figure M.
17. This type of product is subject to nicks and scratches. Touch-up all nicks or scratches with a rust preventing satin black paint. Failure to touch up will result in rusting.

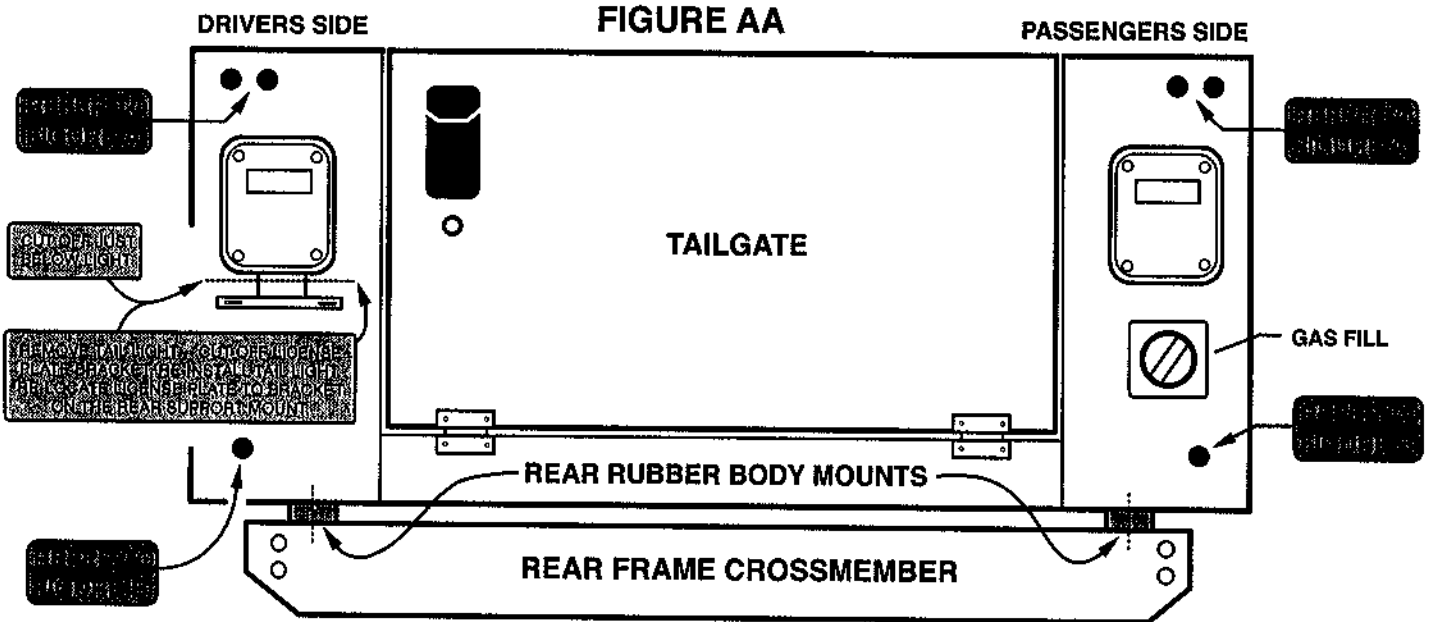
FACTORY JEEP VIN DECAL PLATES MUST BE REMOVED & REINSTALLED AT DIFFERENT LOCATIONS ON THE VEHICLE.

WILDERNESS ROOF RACK

MOUNTING KIT PART # 34076 CJ-7

INSTRUCTIONS FOR DRILLING REAR MOUNTING HOLES

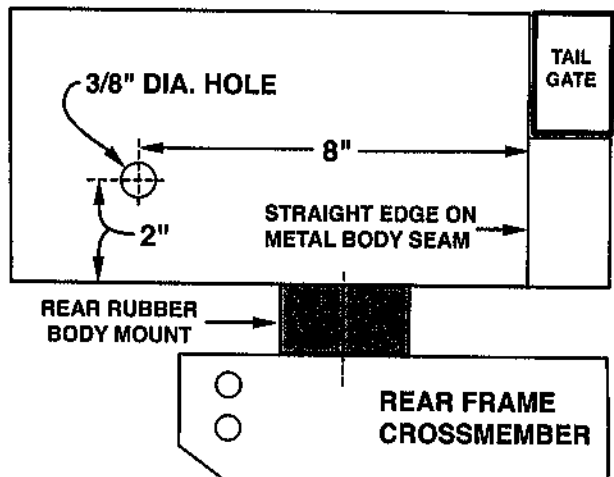
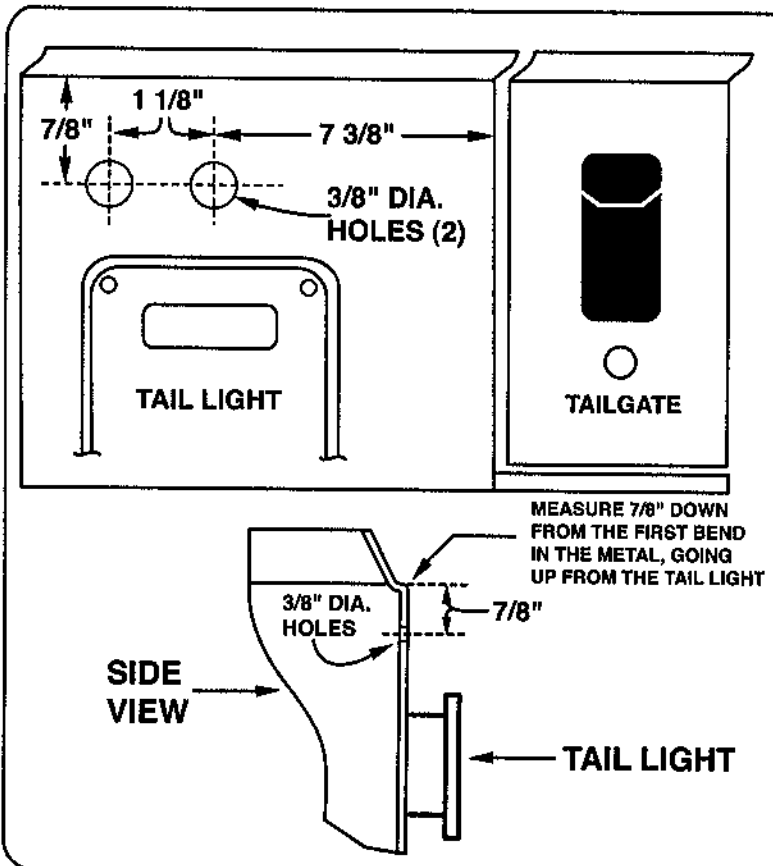
6- 3/8" DIAMETER HOLES (3 ON EACH SIDE)



Always use the correct fasteners and torque specifications for your vehicle. Always use proper safety procedures when working with tools and equipment.

FIGURE A

FIGURE B



- DRILLING TIPS**
- 1- PLACE MASTING TAPE ON THE AREA TO BE DRILLED, MARK THE HOLE POSITION ON THE MASTING TAPE. DRILL A SMALL PILOT HOLE (1/8" DIA.) THEN ENLARGE TO 3/8" DIA.
 - 2- RE-CHECK YOUR MEASUREMENTS BEFORE DRILLING.
 - 3- COAT THE INSIDE OF THE HOLES WITH PAINT (SMALL BRUSH OR Q-TIP) OR CLEAR NAIL POLISH TO HELP PREVENT CORROSION.
 - 4- THE MEASUREMENTS SHOWN ARE THE SAME FOR ALL 1978 THRU 86 C-7 JEEP VEHICLES
 - 5- AFTER READING THESE INSTRUCTIONS, IF YOU STILL HAVE ANY QUESTIONS CONTACT OUR CUSTOMER SERVICE M-F 7:00 AM TO 3:30 PM PACIFIC TIME AT (619) 440 - 7415.

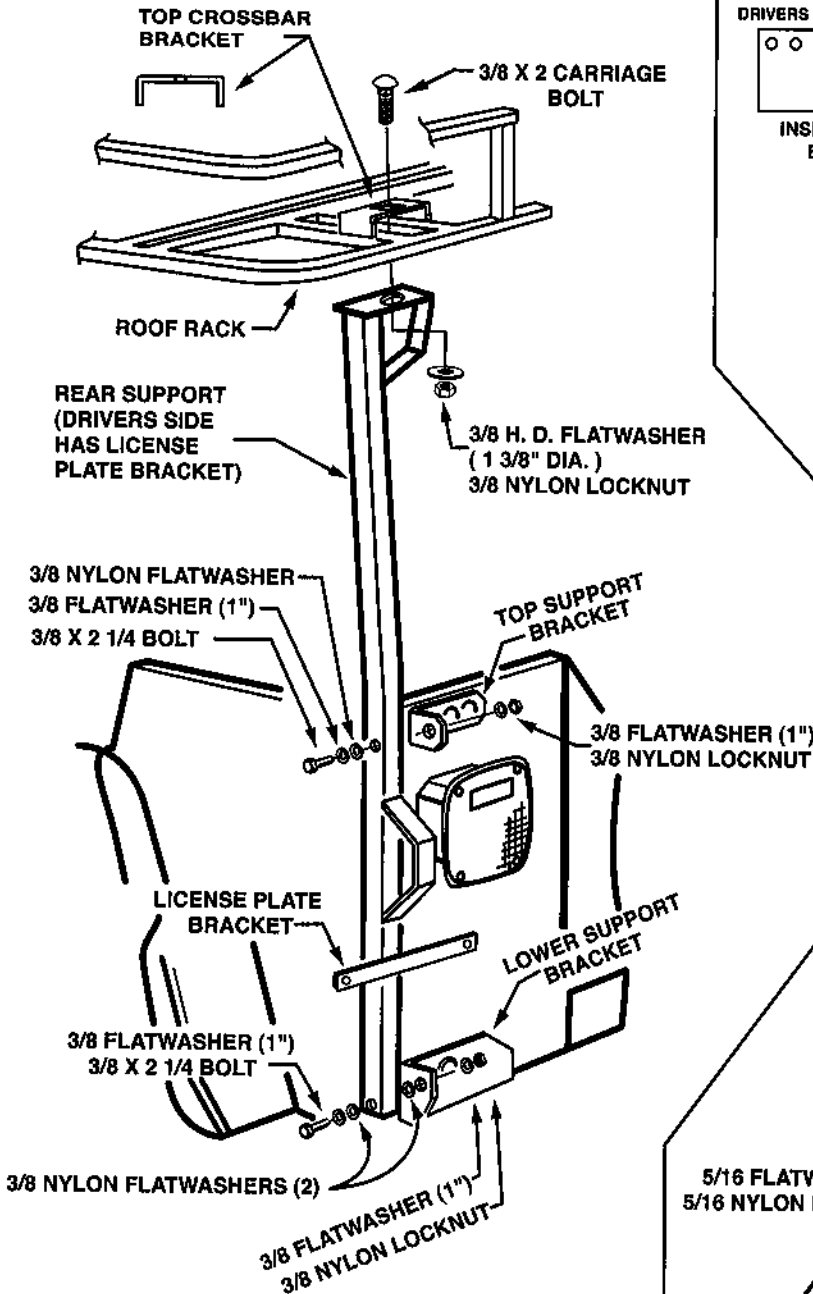
WILDERNESS RACK

PART # 34076 REAR ROOF RACK SUPPORTS --- INSTALLATION DRAWINGS



PAGE 4 OF 8

FIGURE C (REAR SUPPORT)



LICENSE PLATE INSTRUCTIONS

- 1- REMOVE LICENSE PLATE FROM FACTORY BRACKET, CUT FACTORY BRACKET AS SHOWN ON PAGE 3.
- 2- INSTALL LICENSE PLATE ON LEFT REAR R/R SUPPORT MOUNT WITH HARDWARE PROVIDED.

FIGURE D (TOP SUPPORT BRACKET)

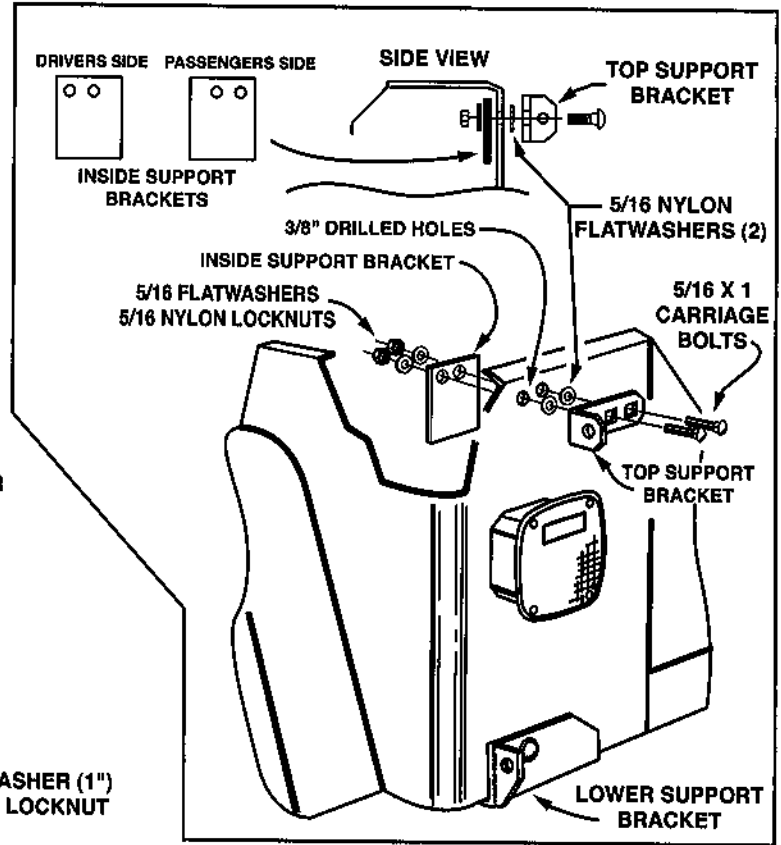


FIGURE E (LOWER SUPPORT BRACKET)

