

# FRONT DOOR INSTALLATION



## INSTALLATION INSTRUCTIONS

### SLIMLINE WINDOWVISOR

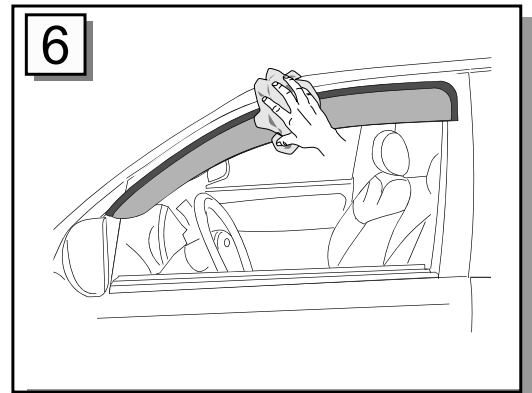
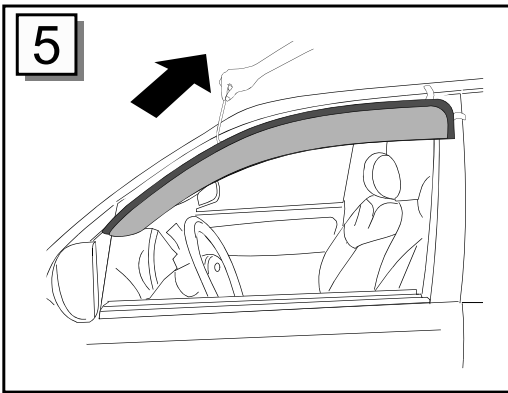
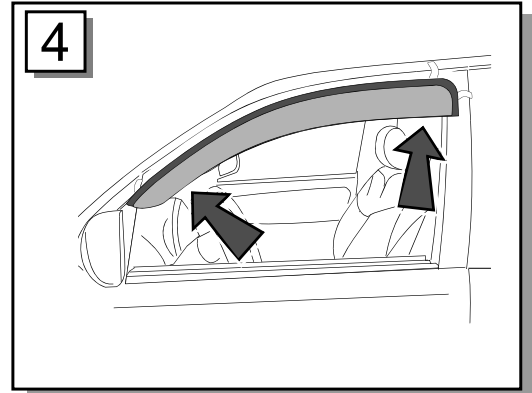
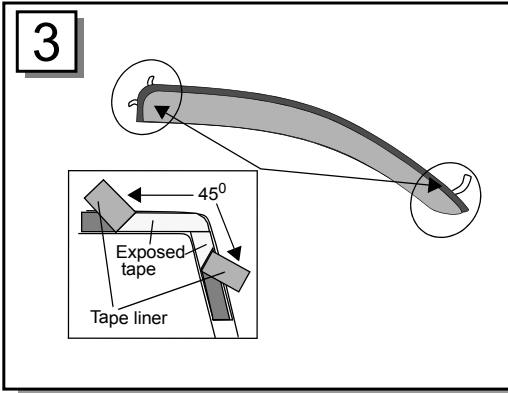
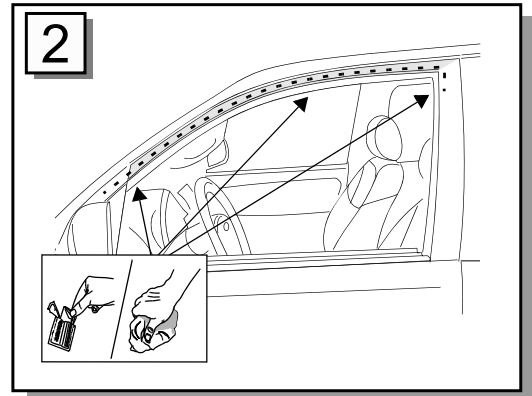
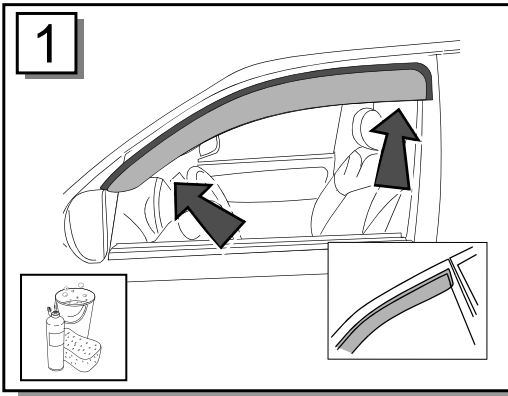


MADE IN USA

#### INSTALLATION INSTRUCTIONS

1. Clean and dry upper door frame. Trial fit **WINDOWVISOR** onto door frame. Note tape attachment areas. **DO NOT REMOVE TAPE LINER.**
2. Prepare tape attachment areas with alcohol wipes provided. Remove residue with a clean, dry cloth. Wipe dry with a clean cloth.
3. Peel back approx. 50mm (2") of tape liner from EACH of the three tape sections and fold at 45° to outside of **WINDOWVISOR**. **DO NOT TOUCH EXPOSED SURFACE OF TAPE.**
4. Position **WINDOWVISOR** on door frame with the bottom step positioned over the mirror support. Apply light pressure to exposed tape areas.
5. Peel off remaining tape liner by pulling on exposed ends of liner, and apply firm pressure around attachment areas.
6. Using a clean, soft cloth rub down firmly around attachment area 4 times to ensure maximum adhesion.

**IMPORTANT:** Before fitting product, read instruction fully. Reverse the above procedure to remove this product.  
**TO CLEAN:** Use mild detergent and water solution. (Do NOT use solvents). Avoid the use of automatic "Brush Style" car washes.



# REAR DOOR INSTALLATION



## INSTALLATION INSTRUCTIONS

### SLIMLINE WINDOWVISOR



MADE IN USA

#### INSTALLATION INSTRUCTIONS

7. Clean and dry upper door frame. Trial fit **WINDOWVISOR** onto door frame. Note tape attachment areas. **DO NOT REMOVE TAPE LINER.**
8. Prepare tape attachment areas with alcohol wipes provided. Remove residue with a clean, dry cloth. Wipe dry with a clean cloth.
9. Peel back approx. 50mm (2") of tape liner from EACH of the three tape sections and fold at 45° to outside of **WINDOWVISOR**. **DO NOT TOUCH EXPOSED SURFACE OF TAPE.**
10. Align **WINDOWVISOR** with door frame. Apply light pressure to exposed tape areas.
11. Peel off remaining tape liner by pulling on exposed ends of liner, and apply firm pressure around attachment areas.
12. Using a clean, soft cloth rub down firmly around attachment area 4 times to ensure maximum adhesion.

**IMPORTANT:** Before fitting product, read instruction fully. Reverse the above procedure to remove this product.  
**TO CLEAN:** Use mild detergent and water solution. (Do NOT use solvents). Avoid the use of automatic "Brush Style" car washes.

