



INSTALLATION INSTRUCTIONS CANISTER TO SPIN-ON FILTER ADAPTER - GM V8 PART # 15761

Please read these instructions completely before beginning installation

KIT CONTENTS

QTY.	DESCRIPTION	QTY.	DESCRIPTION
1	Canister to Spin-On Filter Adapter	2	5/16"-18 x 2" Bolts
1	O-ring	2	5/16" Washers
1	Felt Washer	1	13/16" Nipple
2	1/4"-20 x 2" Bolts		
2	1/4" Washers		

TOOLS NEEDED

Ratchet
7/16" Socket
1/2" Socket

IMPORTANT

Do not discard original equipment By-Pass Relief Valve Assembly. It must be reused with this kit.

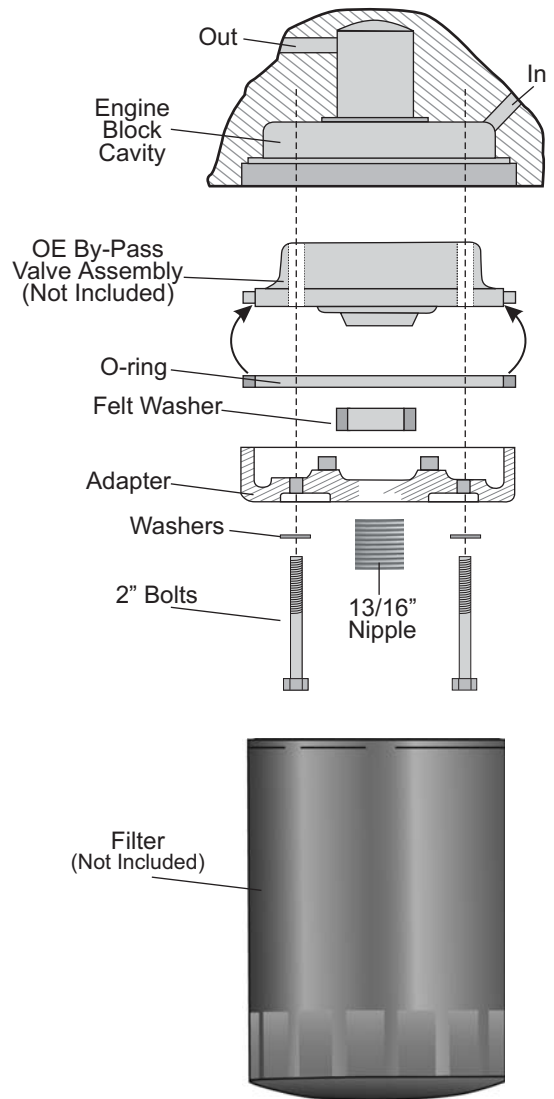
INSTALLATION

1. Remove filter shell (with cartridge) from engine and discard.
2. Remove the two bolts holding the By-Pass Valve Assembly in the engine block. Remove assembly and old gasket. Discard bolts and gasket only.

Note: Do not discard By-Pass Valve Assembly it must be installed for the O-ring to seat and seal properly.

3. Clean By-Pass Valve Assembly in solvent and clean O-ring groove in block.
4. Install new O-ring around outside of By-Pass Valve Assembly. Position it to where it is about in the middle of the outside section.
5. Remove the protective paper from the felt washer and install on the inside of the Adapter.
6. Place adapter on By-Pass Valve Assembly so the Felt Washer on the Adapter contacts flat sealing surface of the By-Pass Plate. Line up holes in By-Pass Plate and insert 2" Bolts & washers. Be sure to use the correct bolts for your application
7. Holding the assembly together, carefully insert into engine block cavity and tighten bolts equally until hand tight. Then tighten each bolt one turn with wrench. (Note: Max. Torque 8ft. Lbs.)
8. Thread the 13/16" Nipple into the Adapter until it is fully engaged against the knurled surface on the threads.
9. Install oil Filter. Fram PH13 or equivalent.
10. Add sufficient oil for filter. Run engine (just above idle) for 5 minutes and check for leaks. Recheck oil level.

Diagram #1



Warning: Installation of accessories should only be undertaken by those with mechanical knowledge and are familiar with working on vehicles. Always use eye protection (goggles, safety glasses or shield). Park the vehicle in a well lit area, on level ground and apply the parking brake. Only work on a cold vehicle that has been sitting overnight, failure to do so will result in severe burns and injury. Before starting the vehicle, make sure no tools or any other items are left under hood that could interfere with or be drawn into moving parts of the engine. Failure to follow instructions can lead to severe damage and personal injury.