

INSTALLATION INSTRUCTION

S/S Bull Bar w/ Skid Plate

15-16 Ford Edge

PART # BB049705-SP



**BLACK HORSE
OFF ROAD**

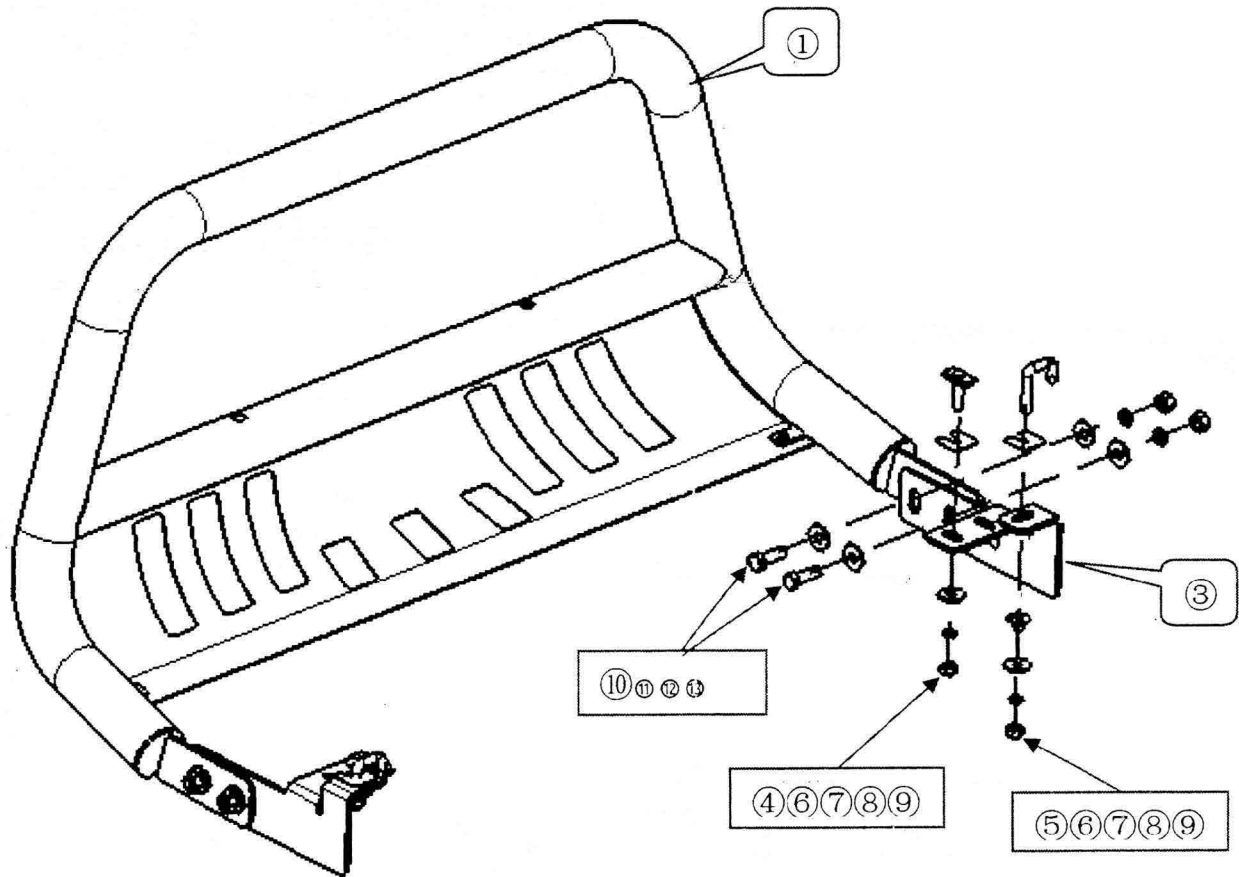
Attention:

- Please read this installation menu before installing this part. Protect your car properly in case there is any scratch might happen.
- You may need to periodically to re-tighten all hardware for safety use after installation.
- Installation pictures are only for your reference, there might be some differences between pictures and real parts but no affection for your fitting.

PART LIST

NO.	NAME	QTY	REMARK	NO.	NAME	QTY	REMARK
①	Bull Bar	1		⑧	Spring Washer	4	φ10
②	Left Bracket	1		⑨	Hexagon Nut	4	M10
③	Right Bracket	1		⑩	Hexagon Bolt	4	M12x35
④	T Bolt	2	M10*40	⑪	Large Washer	8	φ12x30x3.0
⑤	Deformed Bolt	2	M10*35	⑫	Spring Washer	4	φ12
⑥	PVC Fixture	4	Φ10	⑬	Hexagon Nut	4	M12
⑦	Large Washer	4	φ10x30x2.5				

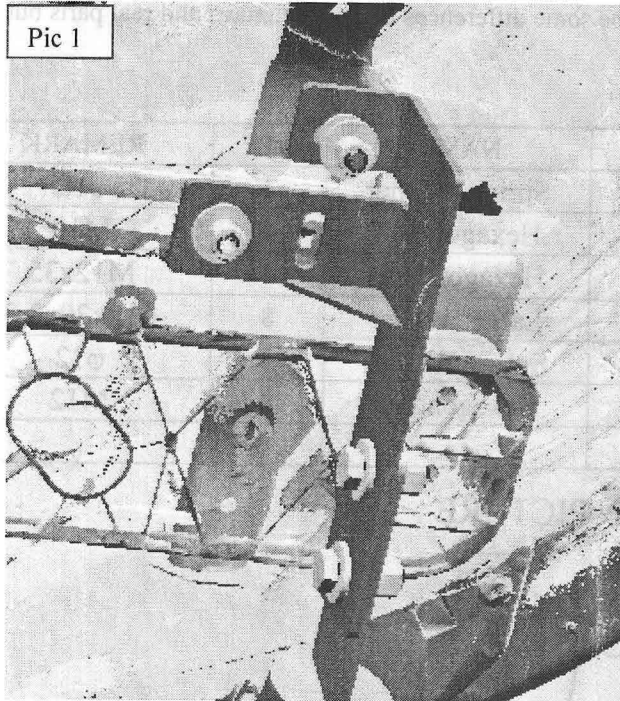
INSTALLATION PICTURE



INSTALLATION PROCEDURES

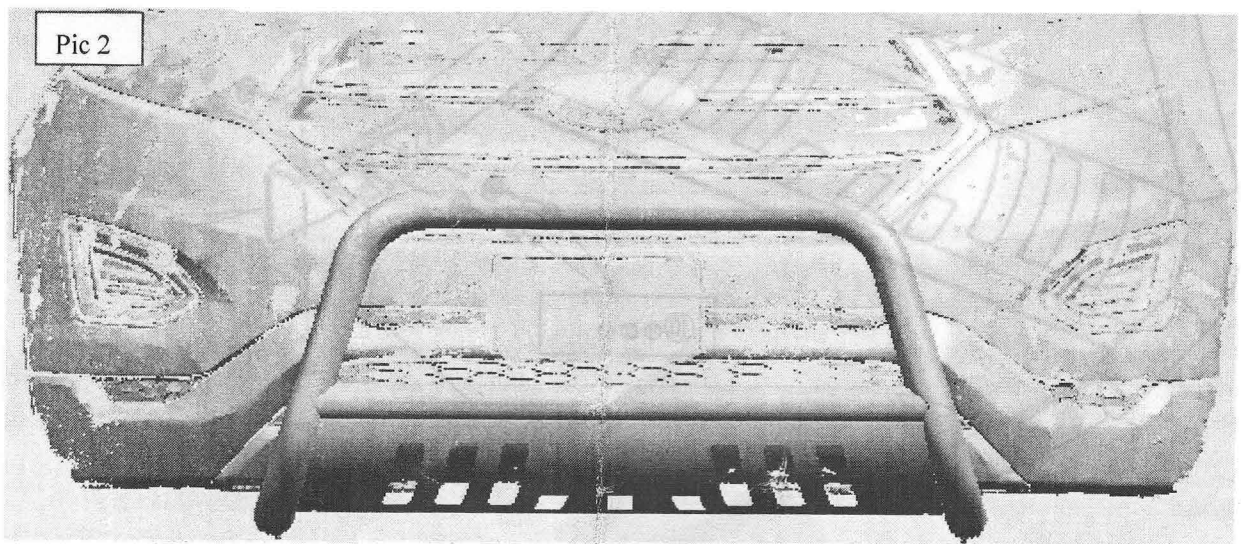
Step 1: Refer to Part List and Installation Picture to check if all hardware are included.

Step 2: Refer to the following picture to install left and right brackets.



Step 3: Install the bull bar on the brackets and then adjust them to the proper positions.

Step 4: Check if all hardware are installed and then fasten all to complete the installation.



Disclaimer: Caused due to improper installation initiates or some related problem and losses, are beyond our company's quality assurance.