



baja designs[®]
The Scientists of Lighting

OEM, Ford Raptor Mount Kit



PN: 64-0088

Installation Manual

Baja Designs • 185 Bosstick Blvd. • San Marcos • CA • 92069

Phone 760.560.2252 • Fax 760.560.0383 • info@bajadesigns.com

www.bajadesigns.com



baja designs[®]
The Scientists of Lighting

LIMITED LIFETIME WARRANTY

Baja Designs proudly offers a LIFETIME WARRANTY against manufacturer's defect on all of the products that we manufacture.

These are comprehensive warranties; other than the exclusions below – you're covered. If your LED or HID bulb burns out, you're covered. Additionally, cutting off our connector or changing your lenses does not automatically void your warranty.

Exclusions:

Installation errors, abuse, misuse or crash damage. You must be the original owner of the product and be able to supply proof of purchase.

Li-Ion or Li-Po Batteries: carry a 2 year warranty.

NiCad DSK Batteries: carry a 90 day warranty

Dual Sport Kit Switches: carry a 1 year warranty.

Baja Designs manufactures its own products as well as resells products manufactured by others. Baja Designs makes no express or implied warranties on products not manufactured by Baja Designs including without limitation any warranties or merchantability and fitness for a particular purpose. We will however, pass on all warranties made by the manufacturer, who has sole responsibility for performing such warranties.

Baja Designs will pay the freight if your product is less than 90 days old, otherwise defective products must be returned to Baja Designs, Inc., freight prepaid. At our option, we will repair or replace items in question and return them at no charge. If the identical product is no longer available we will replace with a similar product of equal value. Baja Designs Inc. will not be responsible for any indirect or consequential damages in connection with defective merchandise.

Indemnification:

Buyer hereby acknowledges off roading, racing and driving at night are dangerous activities and that the products and/or supplies purchased from Baja Designs are used in an inherently dangerous activity that may endanger life and limb; and in no event shall the seller, or seller's heirs and assigns, be held liable for consequential damages, nor shall seller's liability on any claim for damages arising out of or connected with the sale, delivery, or use of purchased products and/or supplies exceed the purchase price of the products and/or supplies.



baja designs
The Scientists of Lighting

Customer satisfaction stands at the core of who Baja Designs is as a company. BD gives you a full 30 days to test out your new light and if you are not 100% satisfied with your purchase, you can send it back for an exchange or refund of the purchase price and applicable tax.

Exclusions:

Items purchased through a Baja Designs authorized dealer must be returned through the dealer. Only available on LED auxiliary lights and product must be in sellable condition at MSRP. Product that has been damaged in any way after the original purchase date will be excluded from this guarantee.

Parts List

QTY	Part Number	Description
2	64-0086	OEM, Mount Add On Bracket
1	64-0080	Raptor LED Mounting Brackets LH & RH
6	20-1286	Hardware, ¼ - 20 Nyloc Nut SS
12	20-1282	Hardware, ¼ Flat Washer SS
2	20-1275	Hardware, ¼ – 20 x 1.25” Hex Head Bolt SS
4	20-1287	Hardware, ¼ - 20 x 7/8” Hex Head Bolt SS
4	20-1236	Hardware, 8x25 Socket Cap Screw SS
4	20-1006	Hardware, 8mm Nyloc Nut
2	64-0092	Raptor Fender Washer

Please read this manual prior to installation.

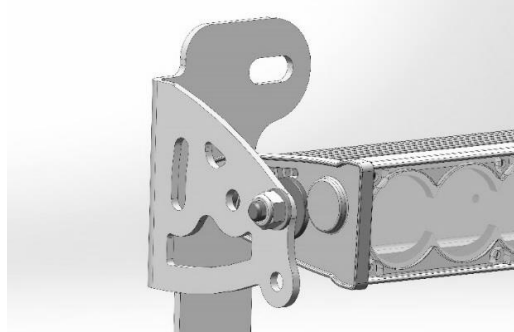
Thank you for purchasing the Baja Designs Ford F-150/Raptor LED Mount Kit. This mounting kit has been designed for one 20” Stealth LED Light Bar, one 20” OnX6 LED Light Bar or two Stealth LED Light Bars.

Single Stealth Configuration:

Remove the (2) 6mm nyloc nuts that are securing the original Stealth mounting brackets to the LED bar. There is a star washer under each original bracket so be careful not to lose these as you will be re-using them. Install the “Raptor” mounting brackets on to the Stealth LED bars as shown in the image below. Note where the (2) 6x18mm washers are to be installed.

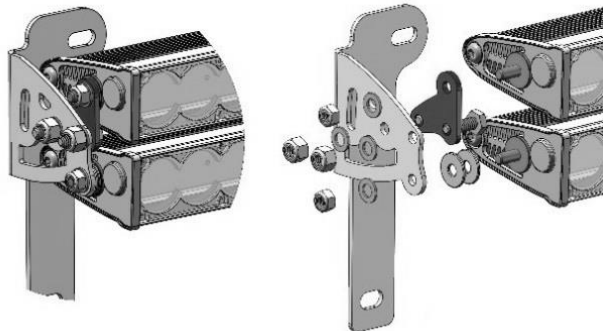


baja designs
The Scientists of Lighting



Double Stealth Configuration:

Remove the (2) 6mm nyloc nuts that are securing the original Stealth mounting brackets to the LED bar. There is a star washer under each original bracket so be careful not to lose these as you will be re-using them. Install the “Raptor” mounting brackets on to the Stealth LED bars as shown in the image below. Note where the (2) 6x18mm washers are to be installed.

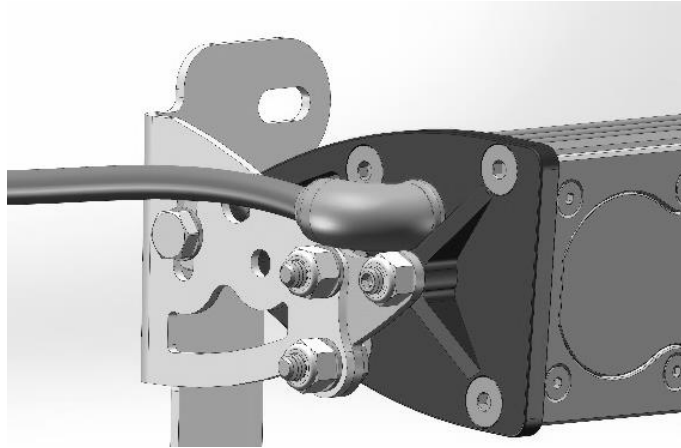


Single OnX6 Configuration:



baja designs.
The Scientists of Lighting

The image below shows the configuration of the mounting brackets and hardware when using the OnX6 LED Light Bar.



Modifying Bumper:

Step 1: For this installation you will need to trim the bumper pods in order for the LED bar to fit in the grill opening. The template is wide enough for the Double Stealth and the single OnX6. If you are using the single Stealth then you can take 1" off of the template height from the center line.



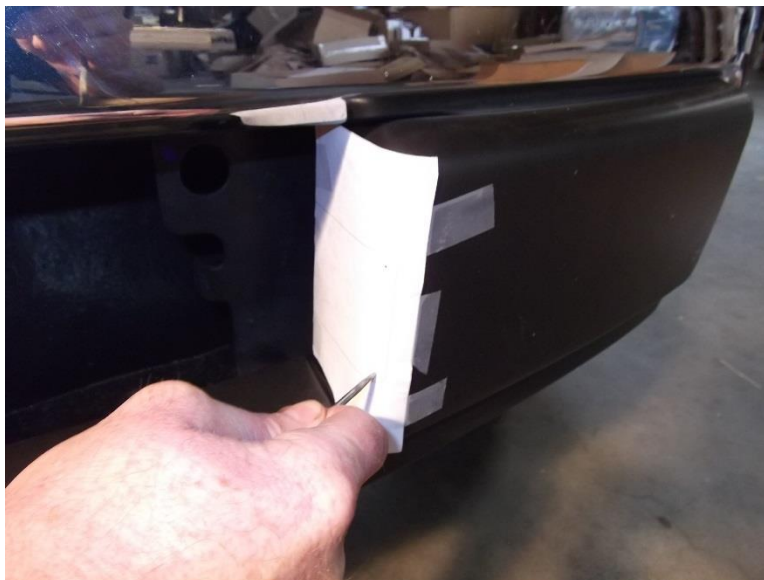


baja designs
The Scientists of Lighting

Step 2: Use the template located at the end of these instructions to aid in trimming the pods. Line the template up and tape it in place as shown in the photo.



Step 3: Use a scribe or a punch and poke through the template to mark the pod at the center point of the corners.



Step 4: Use an exacto knife or razor knife to scribe the pod using the template as your guide.



baja designs
The Scientists of Lighting



Step 5: Use a pilot drill and a step bit to drill the holes in the corners where you transferred the marks.



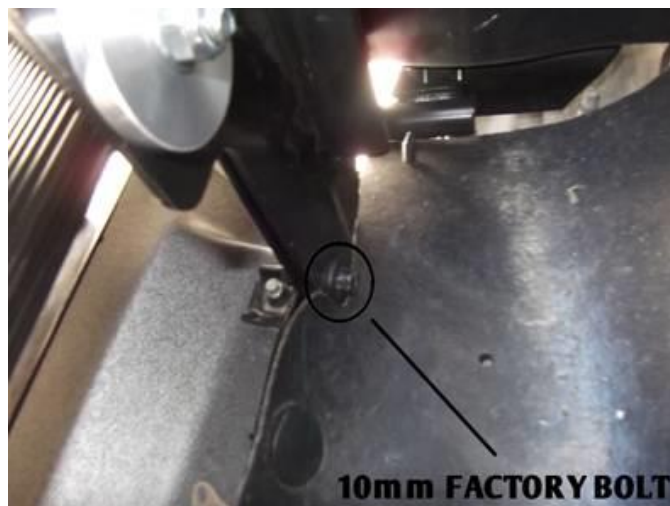


baja designs
The Scientists of Lighting

Step 6: Once you have the holes drilled cut along the lines that you created using an air saw or something comparable. Clean the edges up with sand paper and a file.



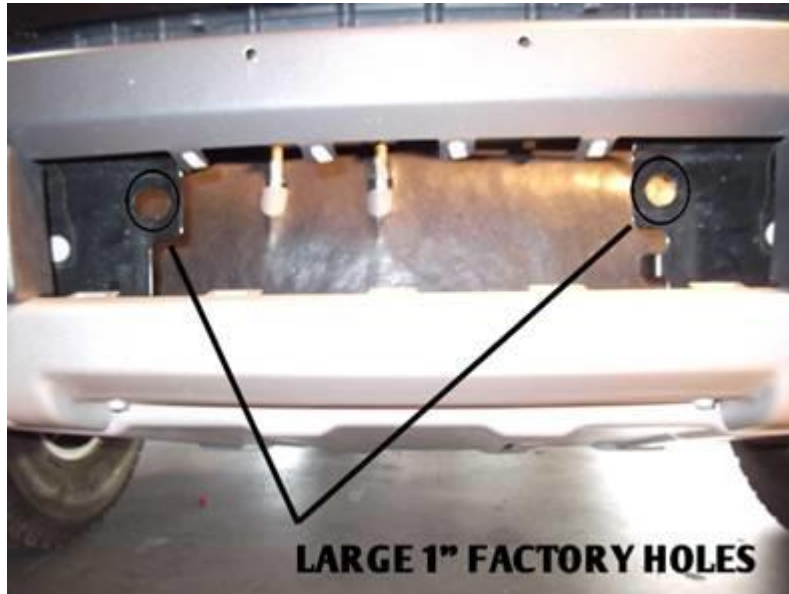
Step 7: With a 10mm socket, remove the (2) lower bolts to the left and right just inside the grill opening. Remove the factory threaded clips; you will be replacing them with the supplied 8 mm bolts and nuts.



Step 8: Insert the light through the grill opening.



baja designs
The Scientists of Lighting



Step 9: Insert two of the 8x25mm bolts supplied in the mount kit into the upper holes of the Baja Designs stealth mounting bracket. These bolts will go through the large 1" factory holes highlighted in the photo above. Insert the large washer and 8mm nyloc nut to the backside of the factory bracket covering the large 1" hole. Use the remaining two 8mm bolts to secure the bottom of the brackets.

Use Large Washer





baja designs[®]
The Scientists of Lighting

Step 10: Make sure the light is centered in the grill opening before tightening the four mounting bolts.



Wiring:

If you have purchased the Baja Designs Universal Stealth Harness (part # 64-0118) refer to the wiring instructions that come with that kit. If you plan on making your own harness note that the white wire is Positive, the black wire is ground, and the green wire is the mode wire. If you do not want to use the “mode” option of your Stealth LED then you don’t need to do anything with the green wire. If you choose to use the mode function then you will need to mount a momentary push button switch somewhere in the cab. You will need to run a wire from the green Baja Designs wire to one side of the momentary switch inside the cab. Run another wire from the other side of the momentary switch to a chassis ground. You can choose a ground location under the dash for this.



baja designs[®]
The Scientists of Lighting

