



baja designs[®]
THE SCIENTISTS OF LIGHTING

S1 Moto kit Instructions (EFI, Kickstart Version)



185 Bosstick Boulevard • San Marcos • CA • 92069

Phone 760-560-2252 x3 • Fax 760-560-0383

info@bajadesigns.com • www.bajadesigns.com



baja designs[®]
 THE SCIENTISTS OF LIGHTING

LIMITED LIFETIME WARRANTY

Baja Designs proudly offers a LIFETIME WARRANTY against manufacturer's defect on all the products that we manufacture.

These are comprehensive warranties; other than the exclusions below – you're covered. If your LED or HID bulb burns out, you're covered. Additionally, cutting off our connector or changing your lenses does not automatically void your warranty.

Exclusions:

Installation errors, abuse, misuse or crash damage. You must be the original owner of the product and can supply proof of purchase.

Baja Designs manufactures its own products as well as resells products manufactured by others. Baja Designs makes no express or implied warranties on products not manufactured by Baja Designs including without limitation any warranties or merchantability and fitness for a purpose. We will, however, pass on all warranties made by the manufacturer, who has sole responsibility for performing such warranties.

Baja Designs will pay the freight if your product is less than 90 days old, otherwise defective products must be returned to Baja Designs, Inc., freight prepaid. At our option, we will repair or replace items in question and return them at no charge. If the identical product is no longer available, we will replace with a similar product of equal value. Baja Designs Inc. will not be responsible for any indirect or consequential damages in connection with defective merchandise.

Items purchased through a Baja Designs authorized dealer must be returned through the dealer. Only available on LED auxiliary lights and product must be in sellable condition at MSRP. Product that has been damaged in any way after the original purchase date will be excluded from this guarantee.

Indemnification:

Buyer hereby acknowledges off-roading, racing and driving at night are dangerous activities and that the products and/or supplies purchased from Baja Designs are used in an inherently dangerous activity that may endanger life and limb; and in no event shall the seller, or seller's heirs and assigns, be held liable for consequential damages, nor shall seller's liability on any claim for damages arising out of or connected with the sale, delivery, or use of purchased products and/or supplies exceed the purchase price of the products and/or supplies

***This kit requires purchase of an additional harness from this selection.**

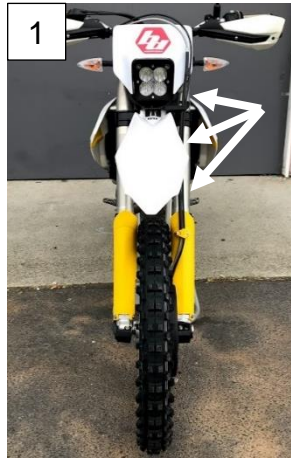
12-9039	- CRF250R/450R ('09)
12-9040	- CRF250R/450R ('10-'12)
12-9041	- CRF250R/450R ('13-'16)
12-9042	- YZ250F/450F ('14-'17)
12-9046	- YZ250F ('14-'18), YZ450F (10-13)
12-9044	- RMZ250F/450F (08-16)
12-9043	- KX250F/450F (09-18)

S1 Moto Kit Instructions

Tools Required

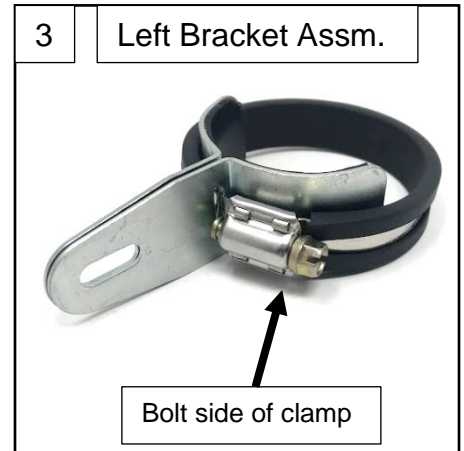
- 7/16" wrench and socket
- Phillip's head screwdriver
- 8mm Socket Wrench w/ extension
- T10 Torx Bit

1. To begin, determine where the lights can be mounted to the forks without interference from the gas tank, radiator, or shrouds. Turn the bars back and forth to see the clearance that is available along the forks. **Do not mount where the lower fork guards will interfere when compressed.**

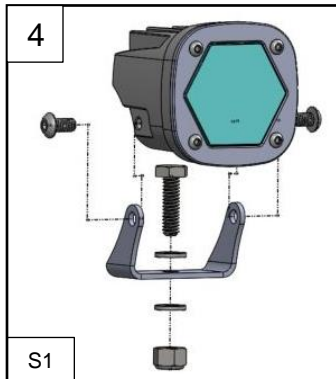


2. Remove the headlight. Unplug necessary headlight features such as, turn signals, ignition switch, etc.

3. Assemble the brackets as shown.



4. The S1 light and bracket assembly exploded view is on the right. Use the 7/16" wrench and socket to attach the S1 bracket to the bracket assembly from step 3. Hold off on mounting the light for now.



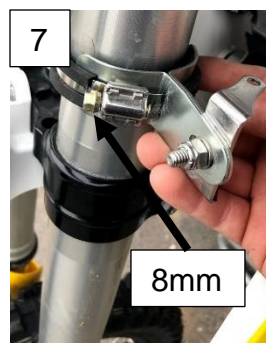
5. The bezels may need to be rotated for proper lens alignment (Branding right side up). Use the T10 Torx bit to remove the four bezel bolts. Take care not to let the reflector fall out of the light. Spin the bezel and lens together, make sure o-ring is clean and seated, and screw the bolts in and tighten (5 in*lbs).



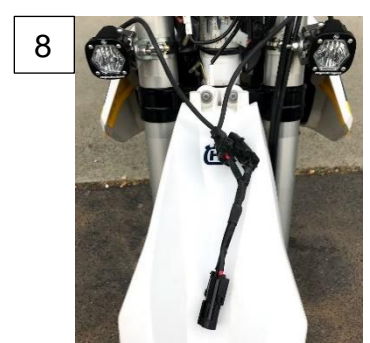
6. There are multiple ways to configure the brackets. The bracket can extend out to the front of the vehicle or extend out to the side.



7. Once the mounting locations and configuration is chosen, carefully wrap the hose-clamp around the forks and through the slot in the brackets. Rotate the clamp to the desired location. Tighten with the 8mm socket wrench. Repeat for the other side.



8. Route the S1 power chords to the front of the steering tube area. Attach supplied splitter harness to the lights.



9. Run the splitter through the triple clamps along the frame. Make sure the wires will allow the bike to steer with no potential interference.

10. Use the instructions provided with the bike specific EFI wiring harness to complete the wiring.

Re-torque all the fasteners after 100 miles.

Your install is now complete! Thank you for choosing Baja Designs.