



baja designs[®]
The Scientists of Lighting

2019 Honda CRF450X Squadron (Pro & Sport) Kit



PN: 49-0051, 55-0051

Installation Manual

Baja Designs • 185 Bosstick Blvd. • San Marcos • CA • 92069

Phone 760.560.2252 • Fax 760.560.0383 • info@bajadesigns.com

www.bajadesigns.com



baja designs[®]
The Scientists of Lighting

LIMITED LIFETIME WARRANTY

Baja Designs proudly offers a LIFETIME WARRANTY against manufacturer's defect on all the products that we manufacture.

These are comprehensive warranties; other than the exclusions below – you're covered. If your LED or HID bulb burns out, you're covered. Additionally, cutting off our connector or changing your lenses does not automatically void your warranty.

Exclusions:

Installation errors, abuse, misuse or crash damage. You must be the original owner of the product and can supply proof of purchase.

Baja Designs manufactures its own products as well as resells products manufactured by others. Baja Designs makes no express or implied warranties on products not manufactured by Baja Designs including without limitation any warranties or merchantability and fitness for a purpose. We will however, pass on all warranties made by the manufacturer, who has sole responsibility for performing such warranties.

Baja Designs will pay the freight if your product is less than 90 days old, otherwise defective products must be returned to Baja Designs, Inc., freight prepaid. At our option, we will repair or replace items in question and return them at no charge. If the identical product is no longer available, we will replace with a similar product of equal value. Baja Designs Inc. will not be responsible for any indirect or consequential damages in connection with defective merchandise.

Items purchased through a Baja Designs authorized dealer must be returned through the dealer. Only available on LED auxiliary lights and product must be in sellable condition at MSRP. Product that has been damaged in any way after the original purchase date will be excluded from this guarantee.

Indemnification:

Buyer hereby acknowledges off-roading, racing and driving at night are dangerous activities and that the products and/or supplies purchased from Baja Designs are used in an inherently dangerous activity that may endanger life and limb; and in no event shall the seller, or seller's heirs and assigns, be held liable for consequential damages, nor shall seller's liability on any claim for damages arising out of or connected with the sale, delivery, or use of purchased products and/or supplies exceed the purchase price of the products and/or supplies.

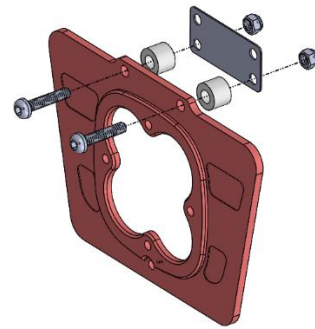


baja designs
The Scientists of Lighting

1. Start by removing the factory headlight shell and lens assembly from your CRF/X. Please keep track of the Philips head screws as you will need to re-use them for this installation.



2. Assemble the silver bracket to the squadron bezel plate as shown in the exploded view below. Use the provided M5 button head bolt with the spacer and nut.



3. Place the Squadron LED bezel plate onto the headlight shell and insert the adjuster bolt and spring supplied in this kit. Align the screw with the 5mm threaded hole on the bottom of the Squadron LED and start the screw. You will have to compress the spring at the same time you turn the screw. Be careful not to cross thread the screw.
4. Once you have successfully started the adjuster screw re-install the factory Phillip's head screws that were securing the upper mount on the stock lens assembly.
5. Re-install the light on your CRF/X and make sure the back of the Squadron LED does not interfere with any wiring when you turn the handlebars from side to side.
6. Plug in the OEM harness adapter to the Squadron plug and the plug coming from the bike. Adapter pictured below.



7. Install the headlight and mask assembly and you are finished!