



baja designs[®]
The Scientists of Lighting

**Chevy, 1500 (19-On) & 2500/3500 (20-On),
Fog Pocket Kit Instructions
(44-7517, 44-7518, 44-7528, 44-7529)**



185 Bosstick Boulevard • San Marcos • CA • 92069

Phone 760-560-2252 • Fax 760-560-0383

info@bajadesigns.com • www.bajadesigns.com



baja designs[®]
The Scientists of Lighting

LIMITED LIFETIME WARRANTY

Baja Designs proudly offers a LIFETIME WARRANTY against manufacturer's defect on all the products that we manufacture.

These are comprehensive warranties; other than the exclusions below – you're covered. If your LED or HID bulb burns out, you're covered. Additionally, cutting off our connector or changing your lenses does not automatically void your warranty.

Exclusions:

Installation errors, abuse, misuse or crash damage. You must be the original owner of the product and can supply proof of purchase.

Baja Designs manufactures its own products as well as resells products manufactured by others. Baja Designs makes no express or implied warranties on products not manufactured by Baja Designs including without limitation any warranties or merchantability and fitness for a purpose. We will however, pass on all warranties made by the manufacturer, who has sole responsibility for performing such warranties.

Baja Designs will pay the freight if your product is less than 90 days old, otherwise defective products must be returned to Baja Designs, Inc., freight prepaid. At our option, we will repair or replace items in question and return them at no charge. If the identical product is no longer available, we will replace with a similar product of equal value. Baja Designs Inc. will not be responsible for any indirect or consequential damages in connection with defective merchandise.

Items purchased through a Baja Designs authorized dealer must be returned through the dealer. Only available on LED auxiliary lights and product must be in sellable condition at MSRP. Product that has been damaged in any way after the original purchase date will be excluded from this guarantee.

Indemnification:

Buyer hereby acknowledges off-roading, racing and driving at night are dangerous activities and that the products and/or supplies purchased from Baja Designs are used in an inherently dangerous activity that may endanger life and limb; and in no event shall the seller, or seller's heirs and assigns, be held liable for consequential damages, nor shall seller's liability on any claim for damages arising out of or connected with the sale, delivery, or use of purchased products and/or supplies exceed the purchase price of the products and/or supplies.



baja designs
The Scientists of Lighting

'19 Chevy Silverado Fog Pocket Kit Instructions

Tools Required

7mm socket (1/4" drive)

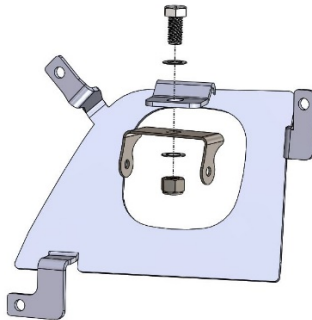
9/16" wrench

9/16" socket

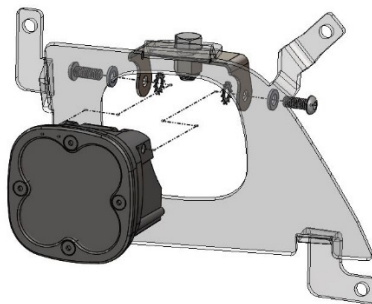
4mm Allen wrench

2.5mm Allen wrench

1. To begin, layout the entire contents of the kit on a flat surface and locate the squadron parts bag. With the 9/16" socket and wrench, assemble the squadron bracket onto the fog pocket bracket with the provided 3/8" bolt, washers, and nylon locking nut. Refer to the driver side exploded sketch below.



2. This kit places each Squadron light upside down inside the fog pocket. Using the 2.5mm Allen wrench, remove the four bezel bolts on the face of the light. Remove and spin the bezel and lense 180 degrees, then reinstall. Assemble the light onto the bracket with the rest of the hardware in the parts bag (see exploded view below). Tighten lightly for adjustment later. Repeat steps 1 and 2 for the opposite side light and bracket assembly.



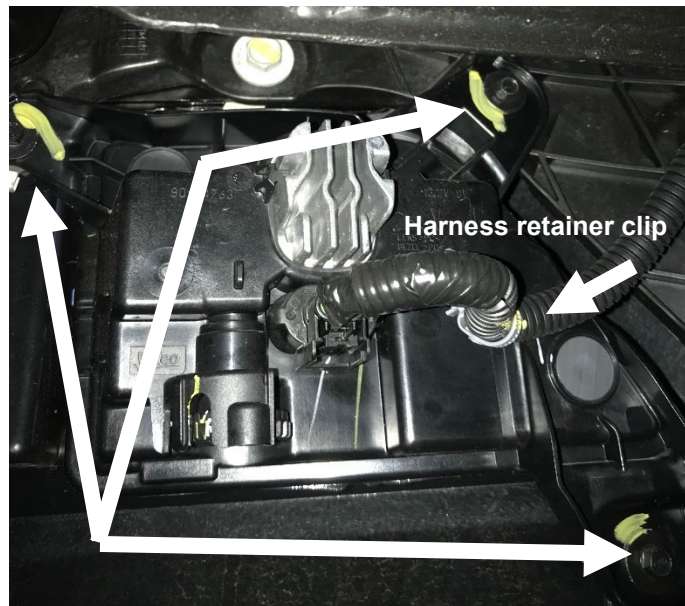


baja designs
The Scientists of Lighting

3. Locate the de-pinned harness adapter and the two pin weather pak Squadron plug. Insert the black wire terminal into A and the brown wire terminal into B. Clasp the wire lock. Repeat for the other harness adapter and plug. Plug both assembled harness adapters into each Squadron power cord weather pak connector.



4. Now it is time to remove the stock fog lamp from the vehicle. On either side, Unplug the connector and unclip it from the harness retainer clip. With the 7mm socket wrench, remove the three fog lamp mounting bolts (see passenger side image below). Remove the stock light assembly. Repeat for opposite side of the vehicle.



5. Mount the new Squadron fog lamp assemblies onto the stock mounting points using the stock 7mm head bolts and tighten. Aim the lights and securely tighten the rest of the hardware. Repeat for the opposite side of the vehicle.
6. Plug in each Squadron adapter harness into the factory fog lamp connectors to complete the assembly.

Re-torque all the fasteners after 100 miles.

See the instructions supplied with the wiring harness to complete wiring needs.

Your install is now complete! Thank you for choosing Baja Designs.