



# Installation Instructions Supertop for Trucks

Vehicle Application:  
Chevrolet Silverado & GMC Sierra 2019-Current 6.5' Bed  
Part Number 77319

## Installation Tips

Before you begin installing your new Supertop, please read all the instructions thoroughly.

It is recommended that two people install this Bestop product.

### For a smooth fit:

For easier installation, the top should be installed at a temperature above 72° F. Below this temperature, the fabric may contract an inch or more, making it difficult to fit the vehicle. You may let the fabric sit in the sun for 15-20 minutes before installing to let the fabric warm up.

It is normal for the fabric to contract and wrinkle when stored in the shipping carton. Within a few days after installation, the fabric will relax and the wrinkles will disappear.




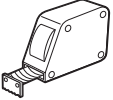








**WARNING** Do not rely in any way on the components of this product to protect against injury or death in the event of an accident. Never operate the vehicle in excess of manufacturer's specifications.


Read and follow, precisely, all installation instructions provided when installing this product. Failure to do so may result in a poor fit and could place occupants of the vehicle in a potentially dangerous situation.

**CAUTION** Safety glasses should be worn at all times when installing this product.

**WEAR SEAT BELTS AT ALL TIMES**



Tools				
 Ratchet	 9/16" Socket	- OR -	 9/16" Wrench	 Tape Measure
 Safety Glasses	 1/8" Allen Wrench	 Wire Stripper-Crimper	 Heat Gun	 Utility Knife
 Pliers	 Phillips Screwdriver	 Wire Ties (Not included)		

Installation Time
 <b>2 hours</b>

Skill Level
<div style="display: flex; justify-content: space-around; align-items: center;"> <div style="border: 1px solid black; border-radius: 50%; width: 30px; height: 30px; display: flex; align-items: center; justify-content: center;">1</div> <div style="border: 1px solid black; border-radius: 50%; width: 30px; height: 30px; display: flex; align-items: center; justify-content: center;">2</div> <div style="border: 2px solid black; border-radius: 50%; width: 30px; height: 30px; display: flex; align-items: center; justify-content: center;">3</div> <div style="border: 1px solid black; border-radius: 50%; width: 30px; height: 30px; display: flex; align-items: center; justify-content: center;">4</div> </div> <p><b>3 - Moderately Difficult</b></p>

Support
<p>We're here to help! Go to: <a href="https://www.bestop.com">https://www.bestop.com</a> and click on <b>Need Help?</b></p>

<p><a href="https://www.bestop.com/video-library">https://www.bestop.com/video-library</a></p>



## Installation Instructions Supertop for Trucks

Vehicle Application:  
Chevrolet Silverado & GMC Sierra 2019-Current 6.5' Bed  
Part Number 77319

### Sugerencias de Instalación

**Antes de empezar a instalar esta unidad, lea atentamente todas las instrucciones.**

**Para un buen ajuste:**

Para facilitar la instalación, el producto debe instalarse a temperaturas superiores a 72 °F (22 °C).

Por debajo de esta temperatura, la tela puede encogerse una pulgada o más, lo que dificultaría su ajuste al vehículo.

Es normal que la tela se contraiga o arrugue cuando está guardada en la caja de empaque. A los pocos días después de la instalación, la tela se relajará y las arrugas desaparecerán.



#### ADVERTENCIA

Este producto se diseñó principalmente para mejorar la apariencia del vehículo y proteger a los ocupantes de las condiciones climáticas comunes. De ninguna manera piense que los componentes de este producto pueden servir como medio de contención para los ocupantes del vehículo o que pueden protegerlos contra lesiones o la muerte en caso de accidente. Este producto no protegerá a los ocupantes contra caídas de objetos. Nunca conduzca este vehículo fuera de las especificaciones del fabricante.

#### USE LOS CINTURONES DE SEGURIDAD EN TODO MOMENTO

Lea y siga con precisión todas las instrucciones de instalación que se proporcionan para instalar este producto. Si no lo hace, podría producirse un mal ajuste que colocaría a los ocupantes del vehículo en una situación potencialmente peligrosa.



#### PRECAUCIÓN

Debe usar gafas protectoras en todo momento durante la instalación de este producto.

### Conseils pour l'installation

**Lire toutes les instructions au complet avant de commencer l'installation de cet assemblage.**

**Pour un ajustement sans problème :**

Afin de faciliter l'installation, ce produit doit être installé à des températures au-dessus de 72 °F (22 °C).

Sous cette température, le tissu peut rétrécir d'un pouce (2,5 cm) ou plus, ce qui rendra l'ajustement sur le véhicule difficile.

Il est normal que le tissu rétrécisse et plisse pendant qu'il est dans la boîte d'expédition. En quelques jours après l'installation, le tissu se détendra et les plis disparaîtront.



#### AVERTISSEMENT

Ce produit est conçu principalement pour améliorer l'apparence du véhicule et pour protéger les occupants des conditions météorologiques usuelles. Ne jamais se fier aux composants de ce produit pour se protéger de blessures ou de la mort en cas d'accident. Ce produit ne protégera pas les occupants des chutes d'objets. Ne jamais utiliser le véhicule au-delà des caractéristiques techniques indiquées par le fabricant.

#### PORTER UNE CEINTURE DE SÉCURITÉ EN TOUT TEMPS

Lire et suivre, très fidèlement, toutes les instructions d'installation fournies lors de l'installation de ce produit. Ne pas suivre cette consigne peut causer une installation inadéquate et mettre les occupants du véhicule dans une situation potentiellement dangereuse.



#### MISE EN GARDE

Des lunettes de sécurité doivent être portées en tout temps lors de l'installation de ce produit.

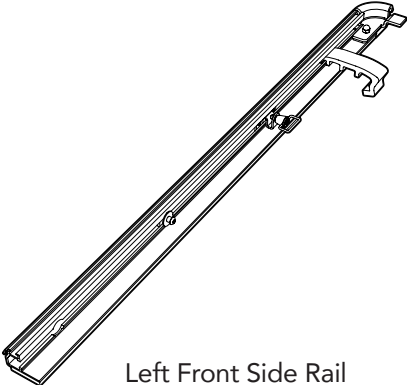
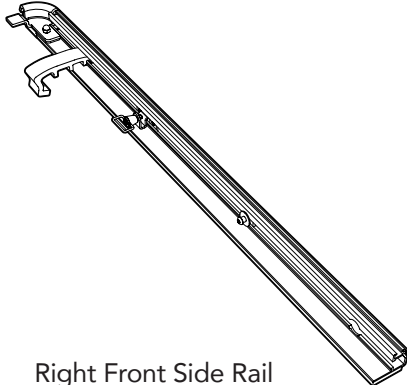
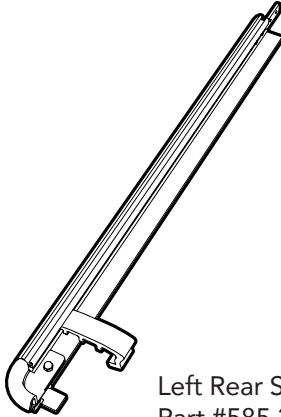
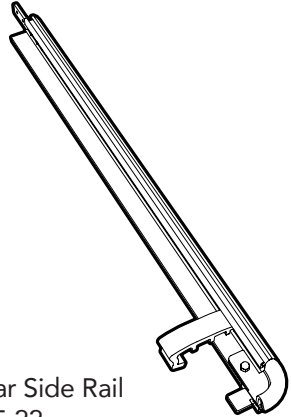
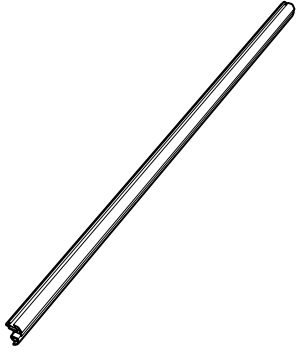
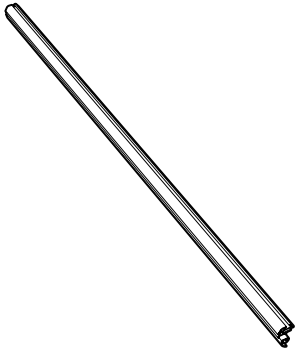
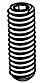
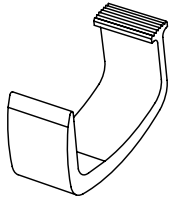
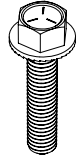
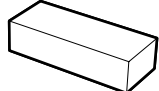


# Installation Instructions Supertop for Trucks

Vehicle Application:  
Chevrolet Silverado & GMC Sierra 2019-Current 6.5' Bed  
Part Number 77319

## Parts List

- Required parts for installation - Page number in Installation Guide

Sections 1 & 2		Side Rails		Pages 5 to 7 of Guide	
 <p>Left Front Side Rail Part #585.21 Qty. 1</p>	 <p>Right Front Side Rail Part #585.20 Qty. 1</p>	 <p>Left Rear Side Rail Part #585.23 Qty. 1</p>	 <p>Right Rear Side Rail Part #585.22 Qty. 1</p>		
Sections 2 to 4		Hardware, Front and Rear Rails		Pages 6 to 9 of Guide	
 <p>Front Rail Part #584.94 Qty. 1</p>	 <p>Rear Rail Part #584.95 Qty. 1</p>	 <p>Set Screw Part #573.17 Qty. 4</p>	 <p>Lower Clamp Part #579.23 Qty. 4</p>	 <p>Hex Head Bolt Part #578.39 Qty. 4</p>	 <p>Rubber Pad Part #720035 Qty. 8</p>

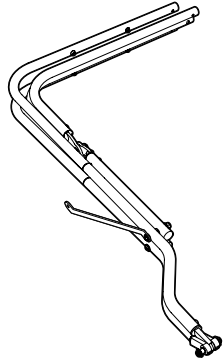
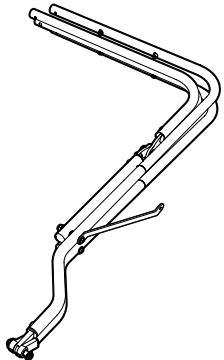
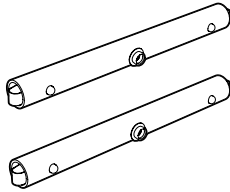
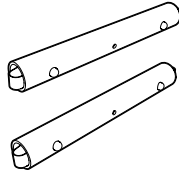

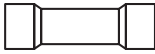


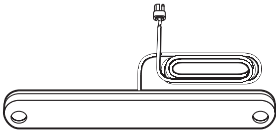
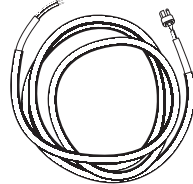
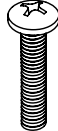



# Installation Instructions Supertop for Trucks

Vehicle Application:  
Chevrolet Silverado & GMC Sierra 2019-Current 6.5' Bed  
Part Number 77319

## Parts List

- Required parts for installation - Page number in Installation Guide


Sections 5 to 15		Bow Stacks, Bow Couplers, Wire Connectors		Pages 10 to 21 of Guide	
					
Bow Stack - Driver Side Part #579.39 Qty.1	Bow Stack - Passenger Side Part #579.38 Qty.1	Bow Coupler #1 & #4 Bows Part #573.77 Qty. 2	Bow Coupler #2 & #3 Bows Part #573.79 Qty. 2	Wire Tap Part #577.58 Qty. 2	Butt Connector Part #588.13 Qty. 2

Sections 12 to 16		CHMSL; Wire Harness; Top, Window, Side Curtains		Pages 12 to 25 of Guide	
					
Center High-Mount Stop Light (CHMSL) Qty. 1	29' Wire Harness Qty. 1	#10-32 Screw Qty. 2	Flat Washer Qty. 2		
<b>Parts Kit #576.71</b>					
			#10-32 Nut Qty. 2		

**Step 1**

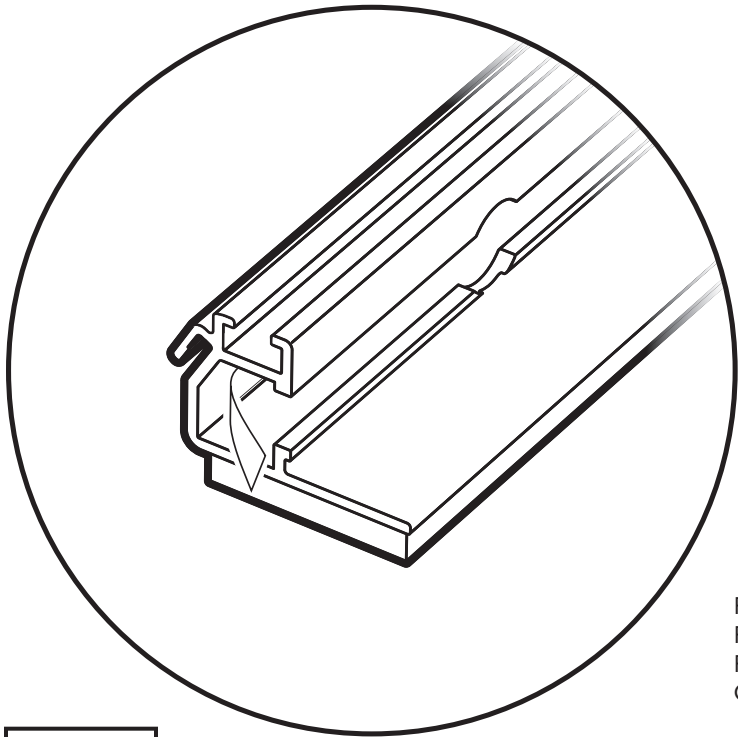
**Hardware**

<b>Step 2</b>	573.17	585.20	585.21	585.22
				585.23

 Set Screw  
Part #573.17  
Qty. 4

Front Side Rail  
Part #585.21 - Left (shown)  
Part #585.20 - Right  
Qty. 1 of each

Rear Side Rail  
Part #585.23 - Left (shown)  
Part #585.22 - Right  
Qty. 1 of each



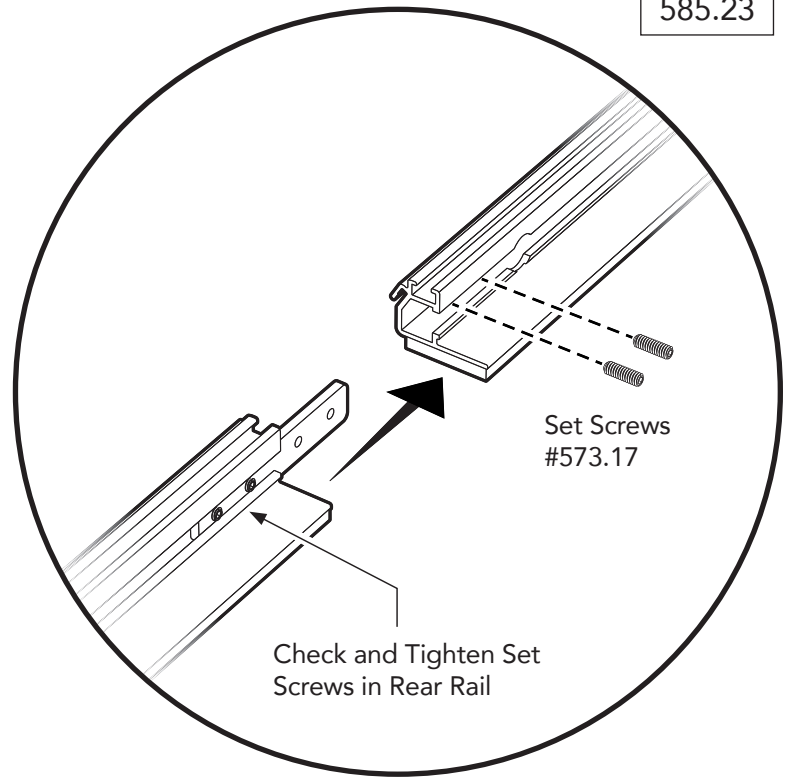
**Step 1**

Locate the Foam Tape on the Left and Right Side Rails, and remove the paper backing from the foam tape.

Repeat with the both Side Rails.

**Tools**

  
1/8" Allen Wrench



**Step 2**

Assemble the Left Front Side Rail #585.21 and the Left Rear Side Rail #585.23.

Slide the rails together, and secure using two set screws #573.17.

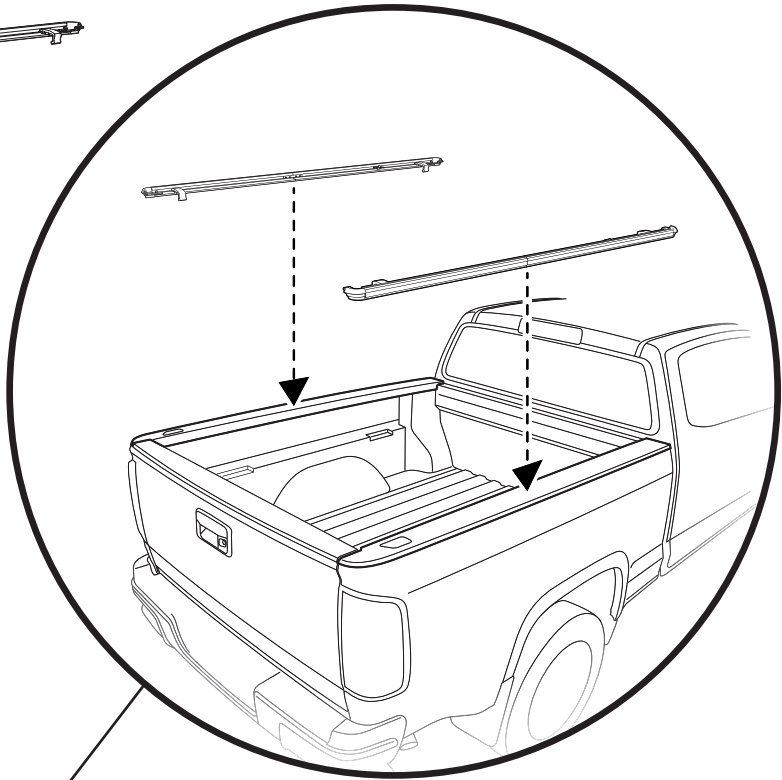
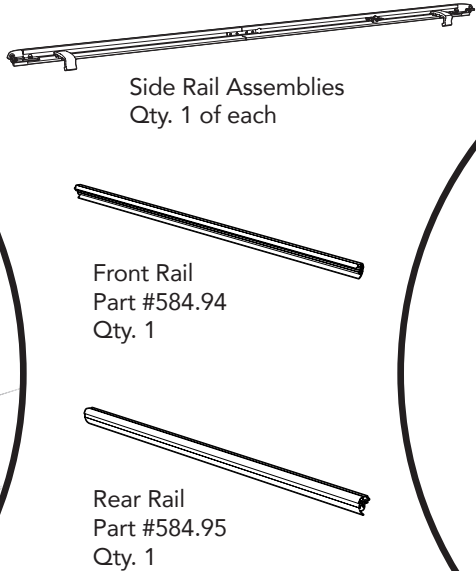
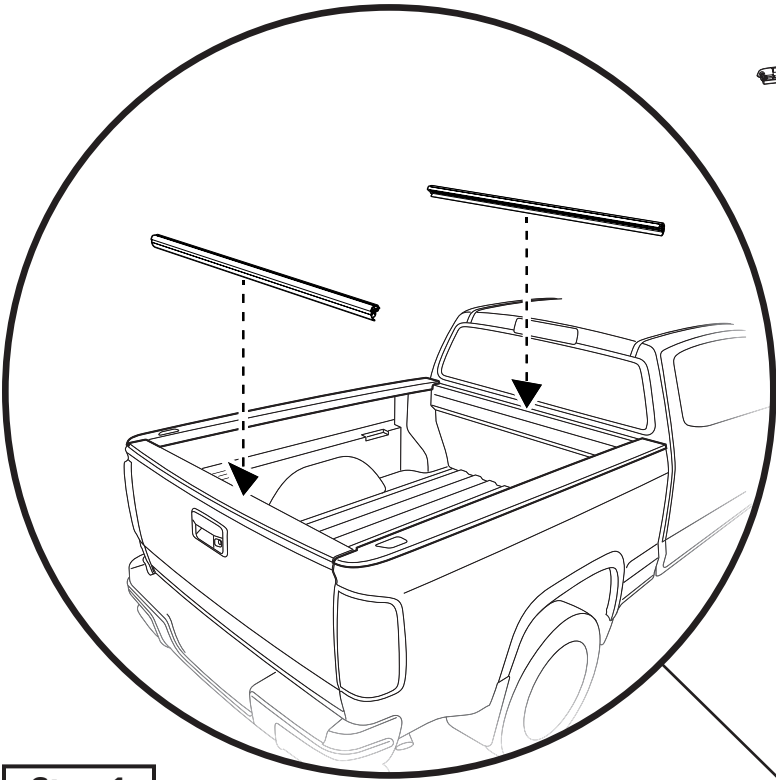
Check and tighten the two (2) set screws in the rear rail.

Repeat with the Right Side Rails #585.20 and #585.22.

Step 1 584.94 584.95

Hardware

Step 2 Side Rail Assemblies



**Step 1**

Place the Front Rail #584.94 and Rear Rail #584.95 onto the truck bed.

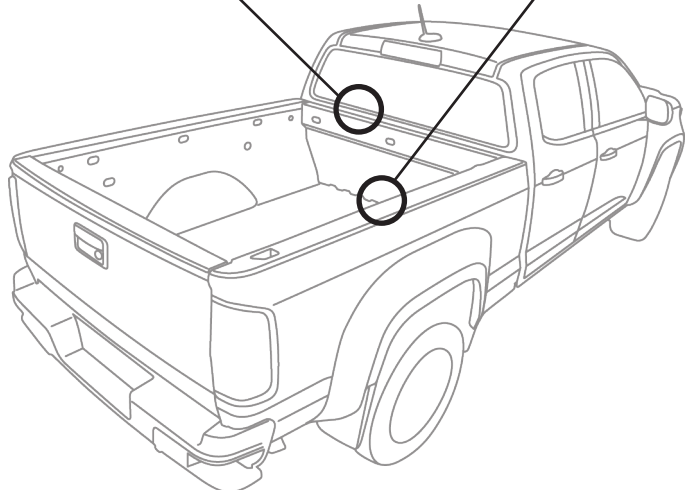
Lay the Rails on top of the truck bed in front, and on top of the plastic bed protector at the rear.

**NOTE:** The Front Rail is longer than the Rear Rail.

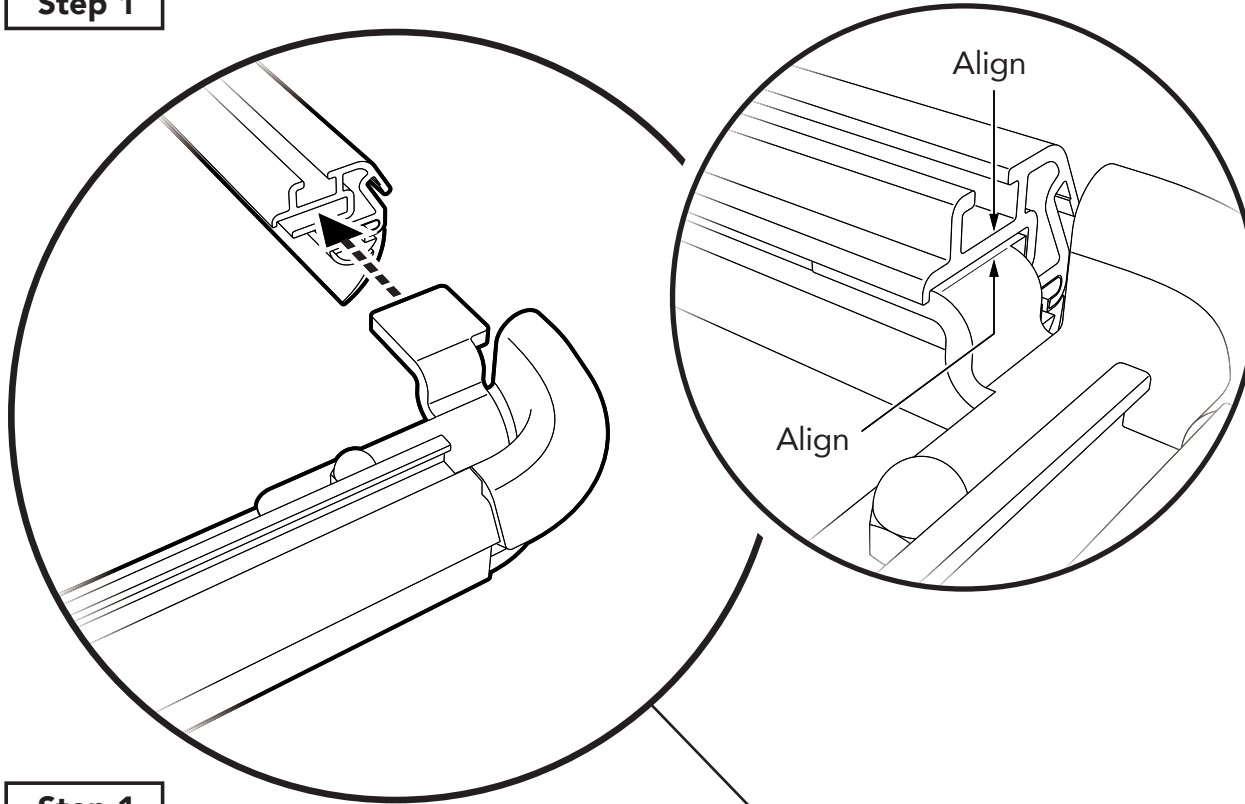
**Step 2**

Place Side Rail assemblies onto the truck bed. Lay the Rails on top of the plastic bed protectors.

Attach the Side Rails to the Front and Rear Rails.



Step 1



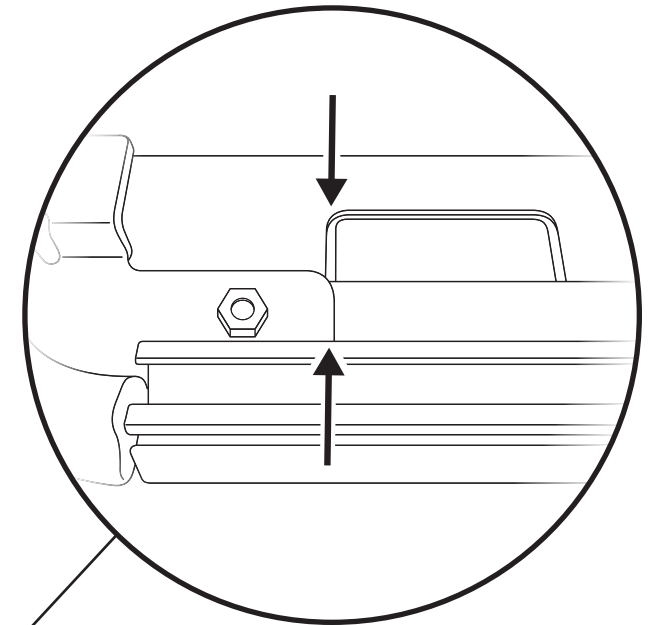
Step 1

Attach the Front and Rear Rails to the Side Rail Assemblies.

Slide the tabs at the front and rear of the Side Rail Assemblies into the slots in the Front and Rear Rails.

Make sure that the ends of the Front Rail and Rear Rail extrusions are aligned with the tongue of the attachment feature, where the tongue bends, and the small corner protrudes.

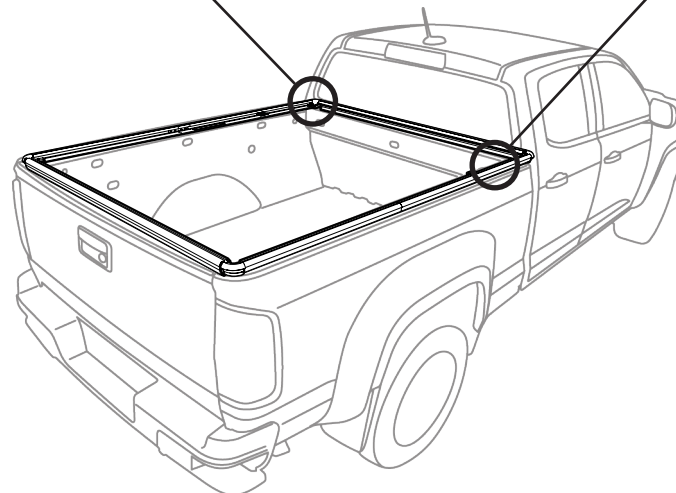
Step 2



Step 2

Align the edge of the flanges at the front of each Side Rail Assembly with the forward edge of the recessed line in the top of the plastic bed protector, as shown in the diagram above.

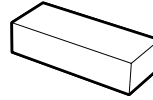
Align the Side Rails on both sides of the vehicle.



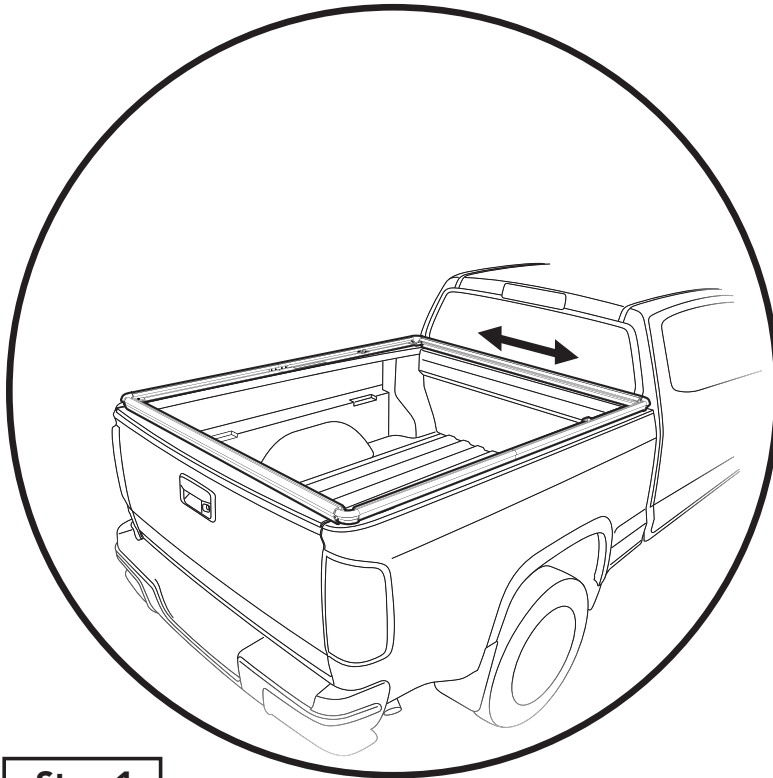
Rail Assembly

Hardware

**Step 2** 720035

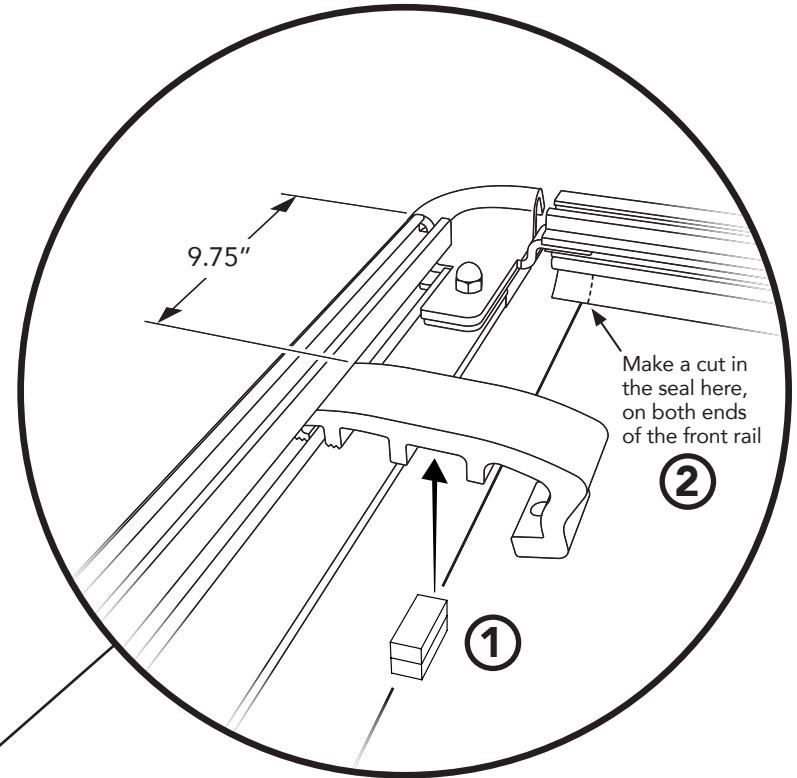


Rubber Pad  
Part #720035  
Qty. 4



**Step 1**

Adjust the Side and Front and Rear Rail assembly right-to-left to center it on the bed width.



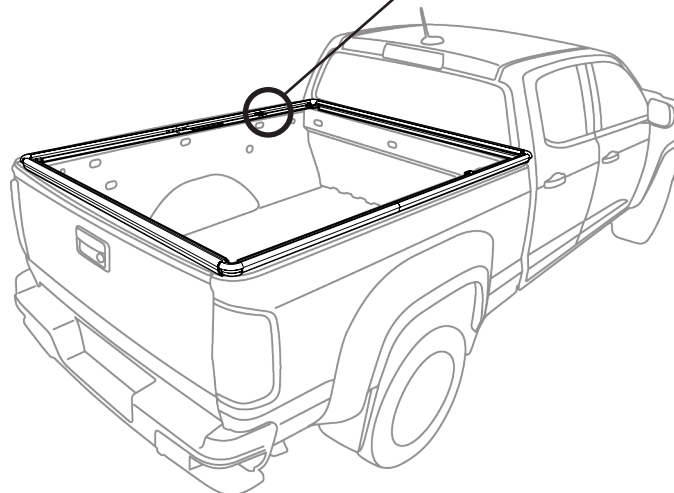
**Step 2**

① Attach two (2) Rubber Pads #720035 together, and stick them to the Front Rail Clamp, between the rib farthest from the rail, and the next rib.

The rubber pads must rest on top of the bed rail cap after installation.

Front Clamp should be located 9.75" from the end of the Front Side Rail.

② Make two cuts in the seal on the bottom of the front rail, in line with the inner edge of the bed rail cap, so that the seal will lay flat against the bed bulkhead.



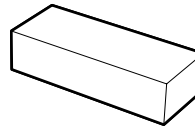
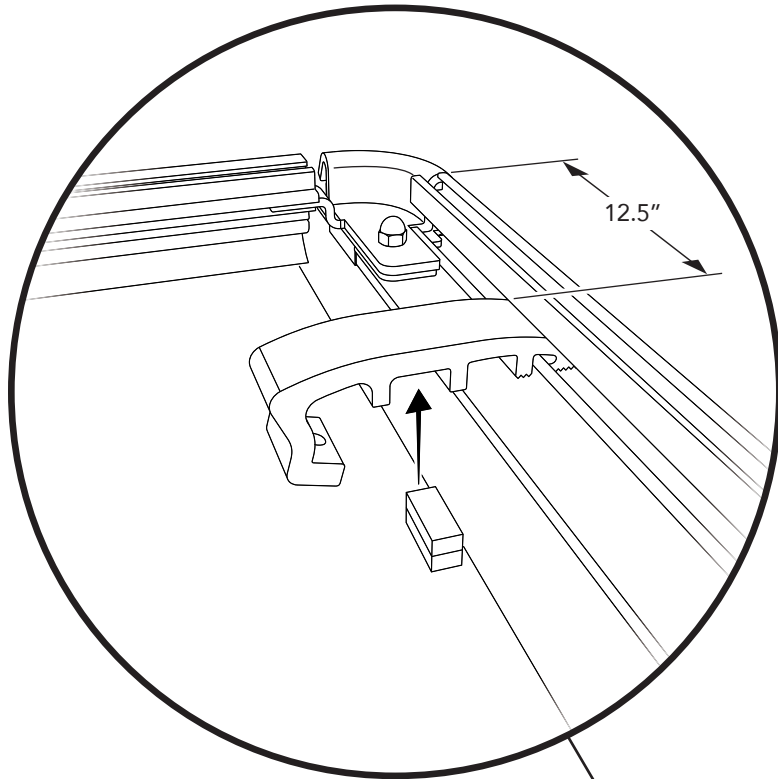


720035

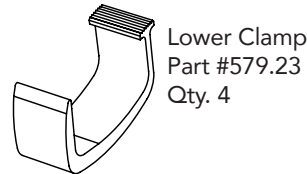
Step 2

579.23

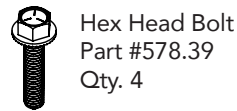
578.39



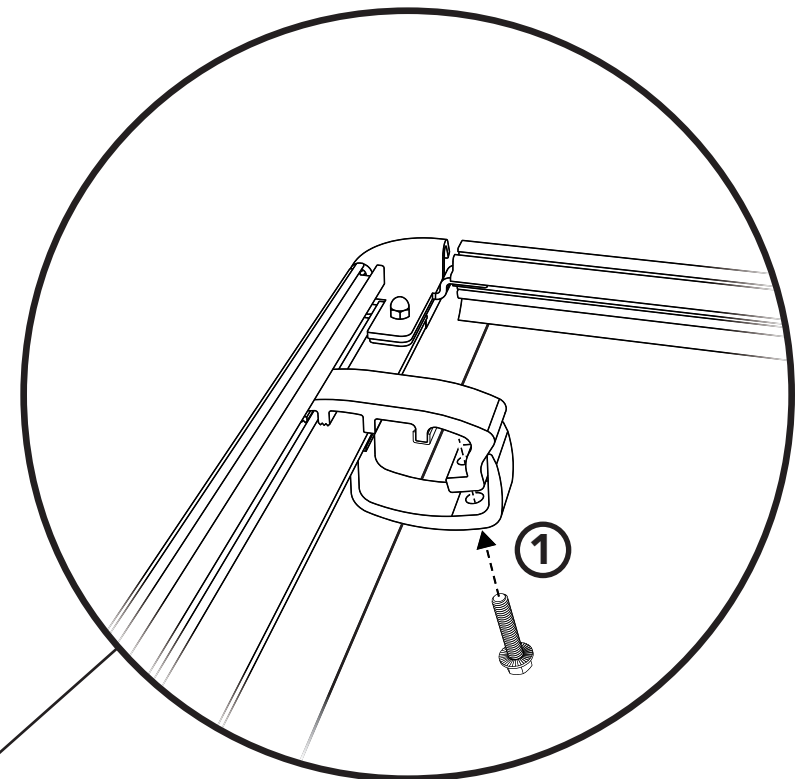
Rubber Pad  
Part #720035  
Qty. 4



Lower Clamp  
Part #579.23  
Qty. 4



Hex Head Bolt  
Part #578.39  
Qty. 4



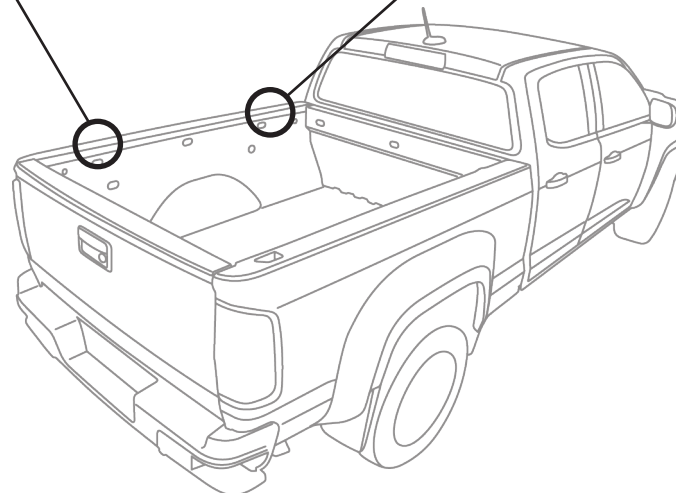
**Step 1**

Attach two (2) Rubber Pads #720035 together, and stick them to the Rear Rail Clamp, between the rib farthest from the rail, and the next rib.

The rubber pads must rest on top of the bed rail cap after installation.

Rear Clamp should be located 12.5" from the end of the Rear Side Rail.

**NOTE:** Make sure that the Rubber Pads are lined up on top of the vehicle's bed rail cap.



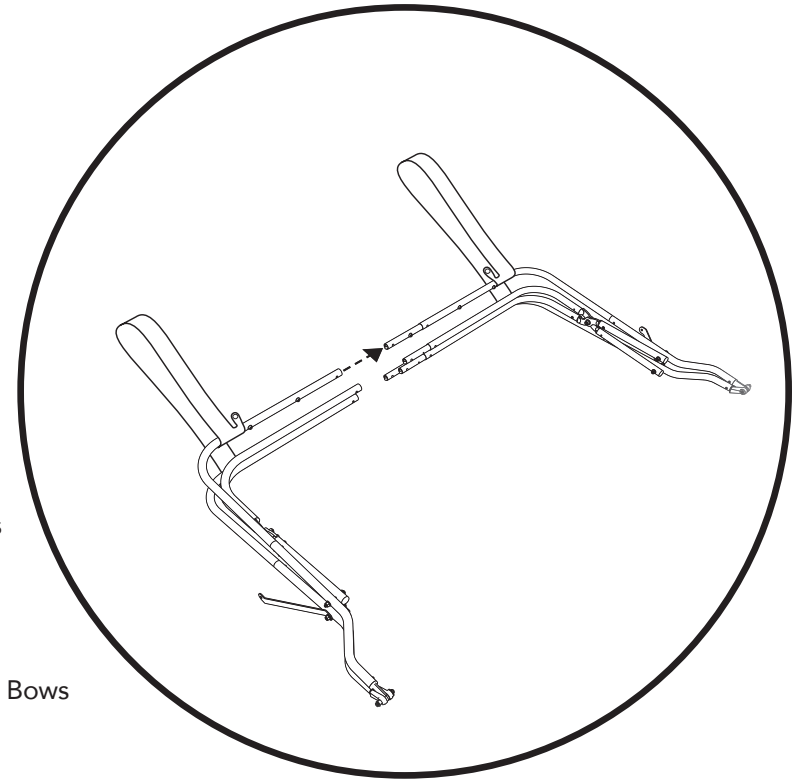
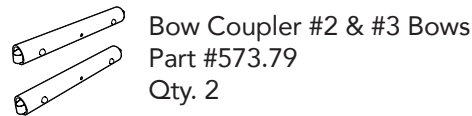
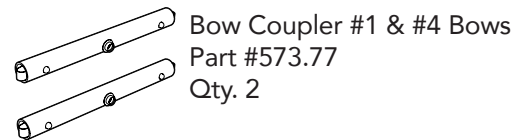
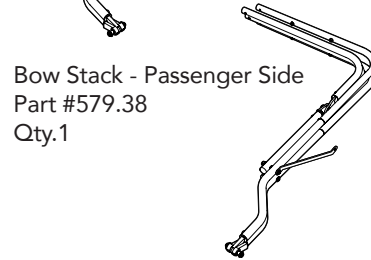
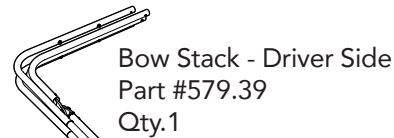
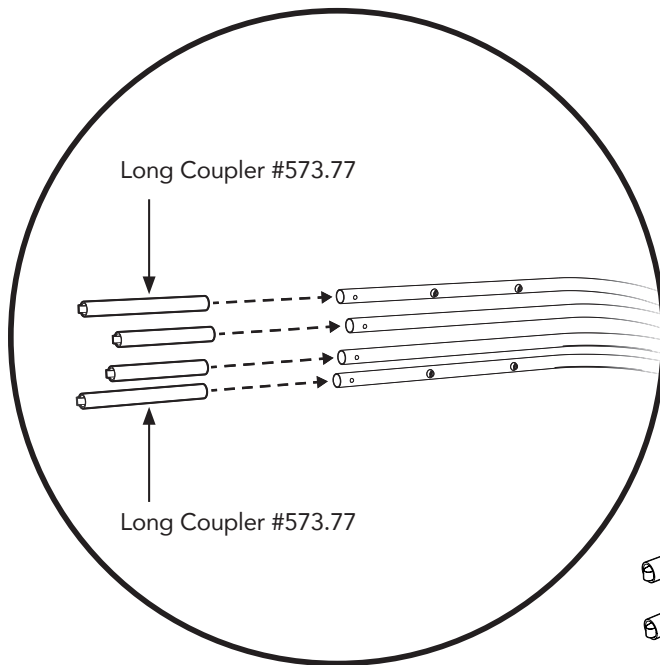
**Step 2**

① Attach Lower Clamps #579.23 to the pre-assembled Upper Clamps on the Side Rails, using one (1) Hex Head Bolt #578.39 for each clamp.

Check alignment of the Rail Assembly and tighten all bolts.

573.77 573.79 579.38

579.38 579.39



**Step 1**

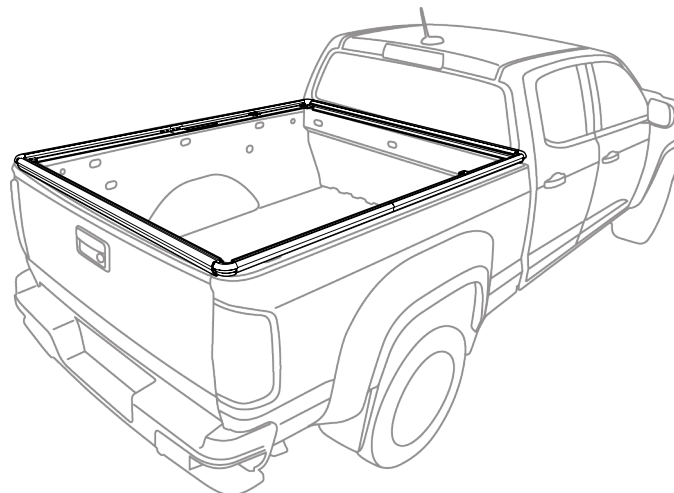
Attach Bow Couplers #573.77 and #573.79 to the Passenger Side Bow Stack #579.38.

Insert Long Couplers #573.77 into the outer bows #1 and #4.

Insert Short Couplers #573.79 into the inner bows #2 and #3.

**For Easier Installation:**

Slide all bows and couplers together before snapping the spring clips into the holes in the bows.



**Step 2**

Attach Driver Side Bow Stack #579.39 to Passenger Side Bow Stack #579.38.

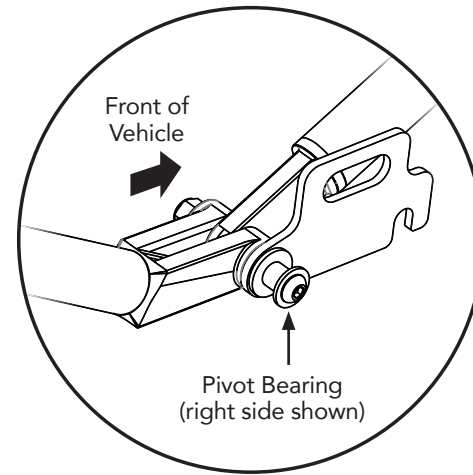
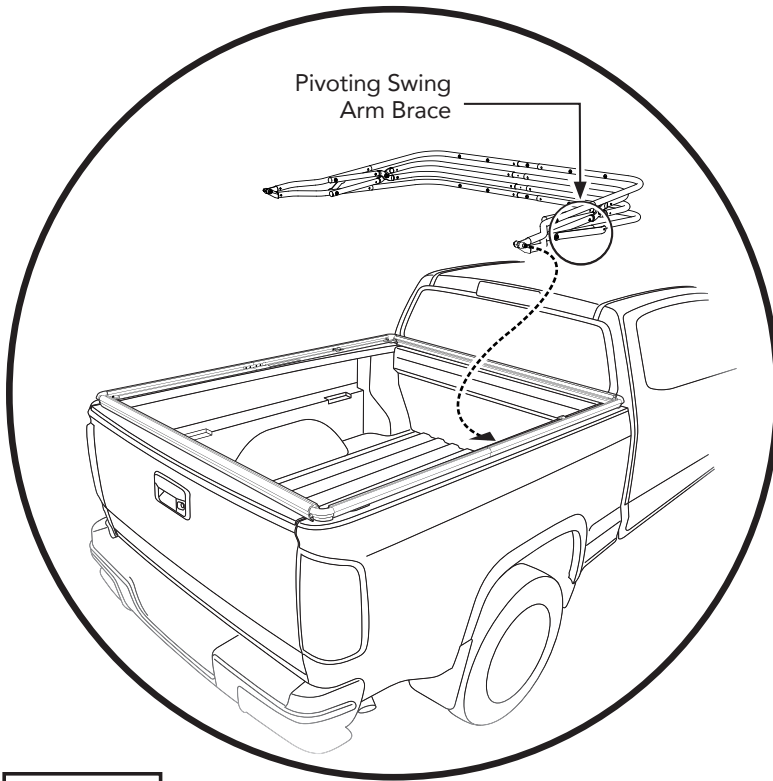
Bow Stacks attach using the Couplers installed in Step 1.

Slide the Couplers installed in the Passenger Side Bow Stack into the ends of the bows on the Drivers Side Bow Stack.

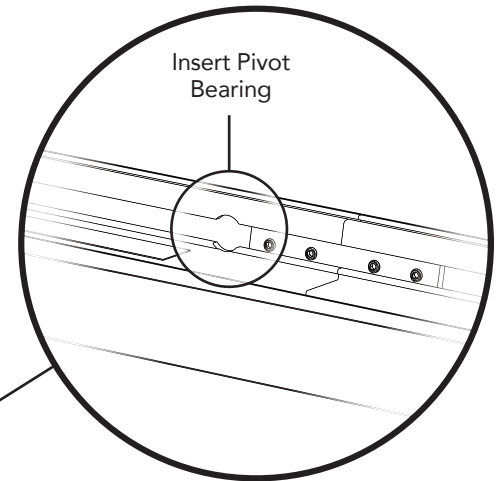
**NOTE:** Before attaching couplers to bow stacks, make sure to pull the bond coat straps out and away from the bows, and lay them flat.

Step 1 Bow Assembly

Details



Details



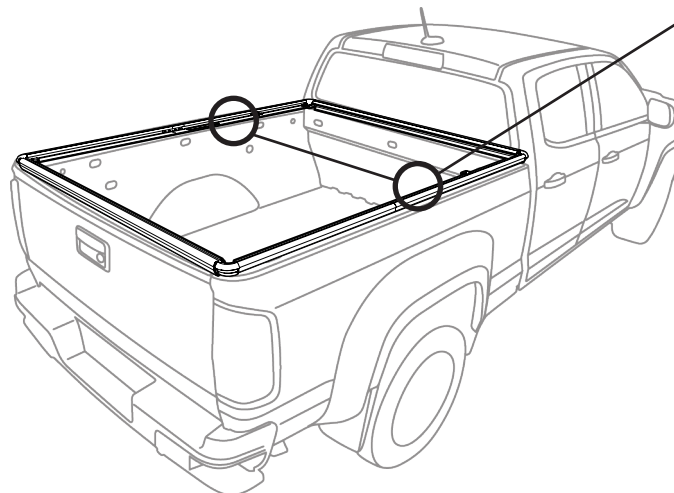
Step 1

**NOTE:** Two People Are Required for This Portion of the Installation Process.

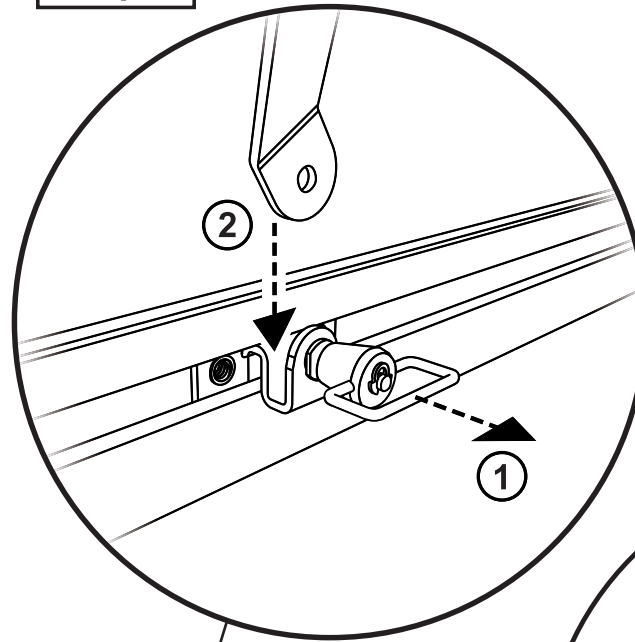
Place the folded Bow Assembly on the Side Rails. Make sure that the pivot swing arm braces are on the lowest bow.

Insert the Pivot Bearings into the receiving holes in the inside of the side rails

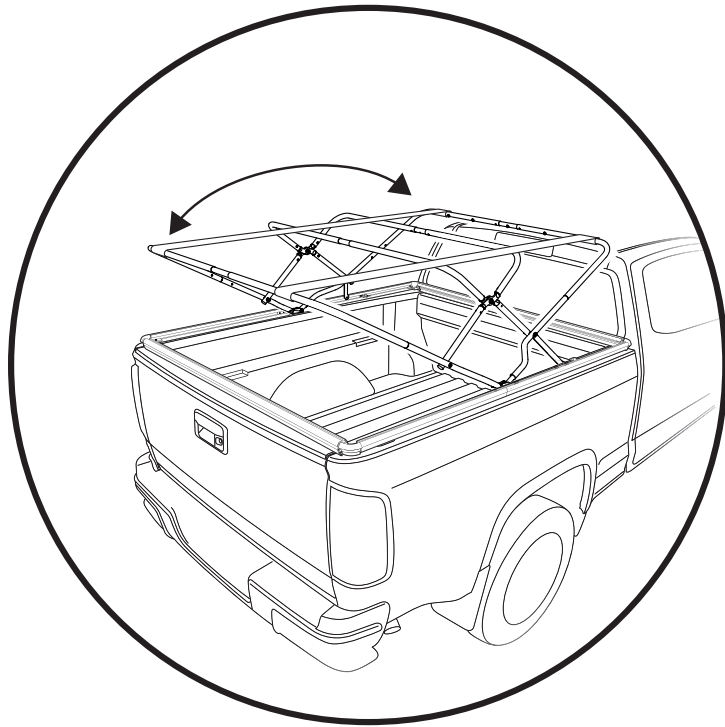
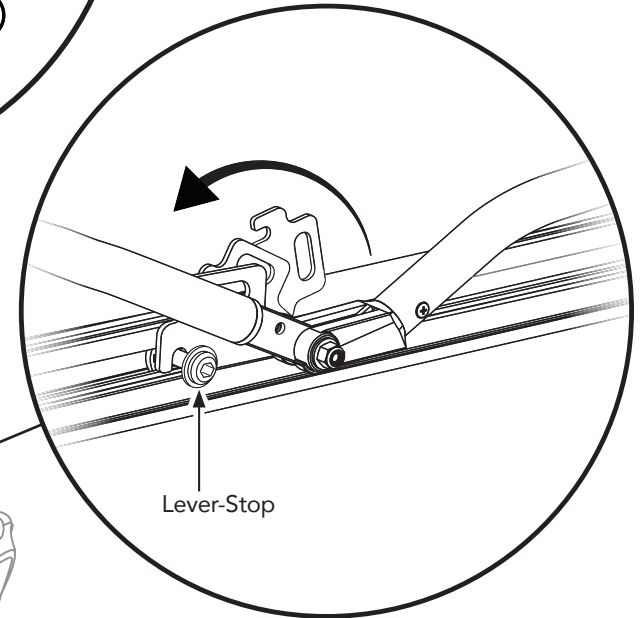
See Details.



Step 2



Step 3



Step 1

Unfold the Bow Assembly.

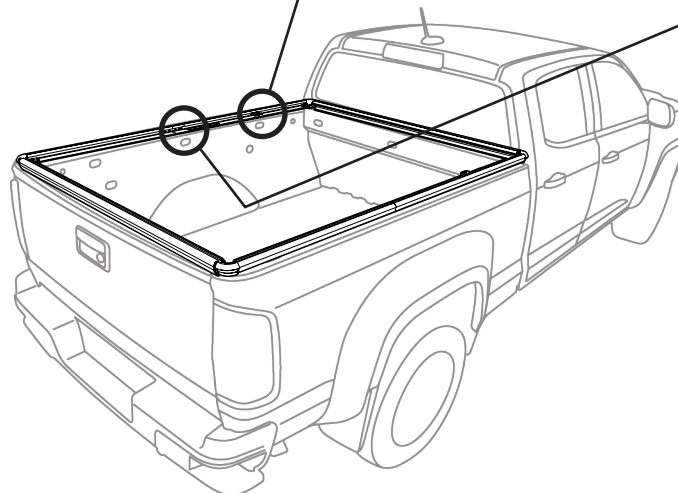
Step 2

- ① Pull back on the Pivot Knuckle release knob;
- ② Snap the Pivot Arm Brace into place, on both sides of the truck.

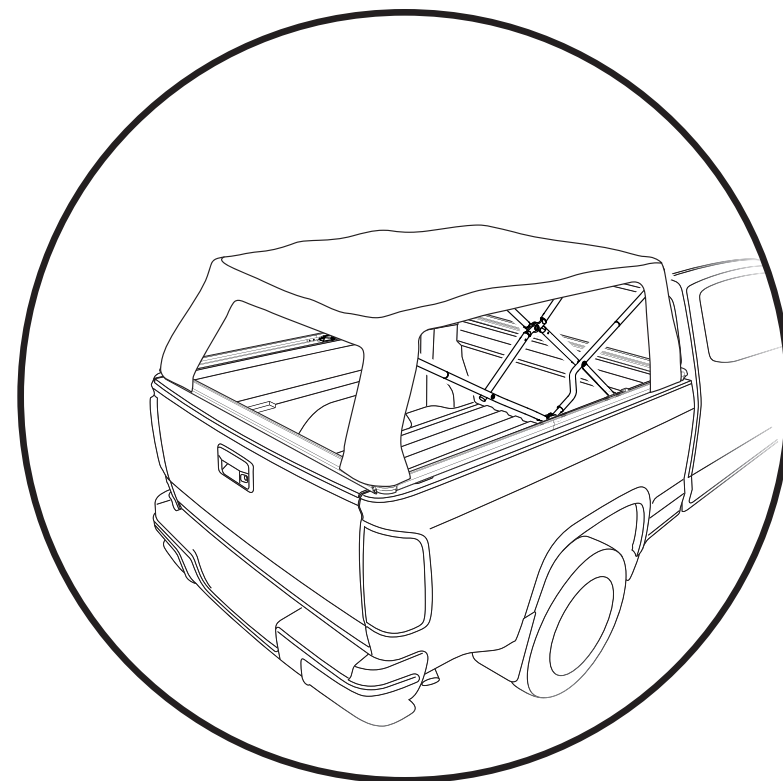
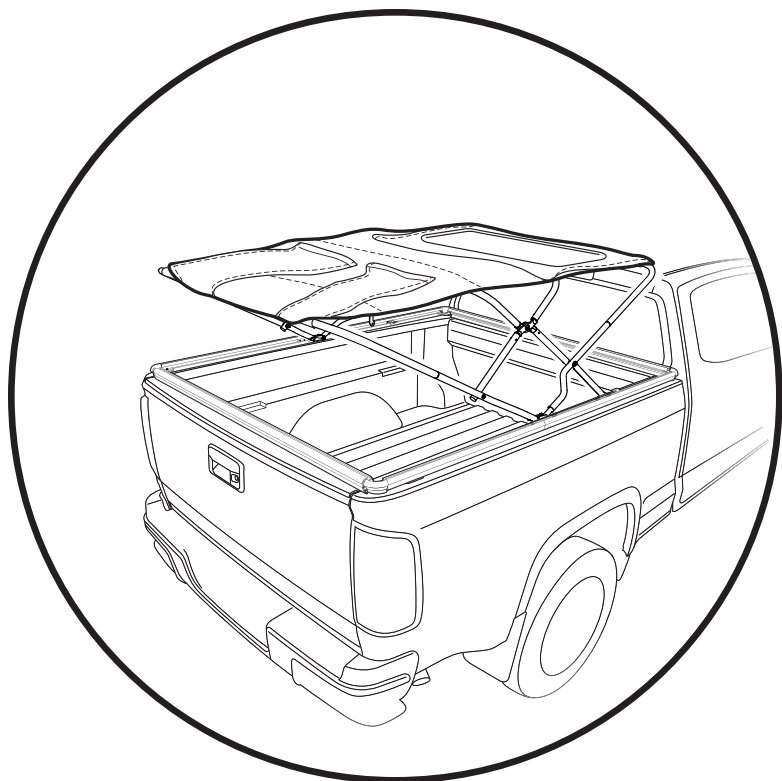
Step 3

Engage the Locking Lever on both sides of the truck.

**NOTE:** The Lever-Stop Assemblies are pre-installed at the factory at 31.5" from the front edge of each Side Rail.



**Step 2**

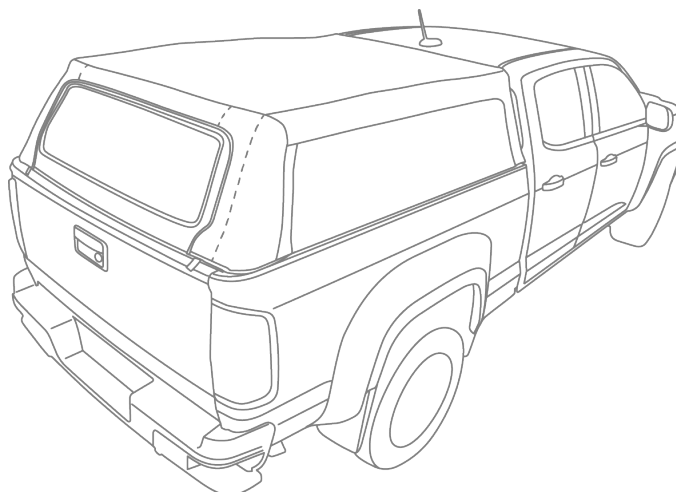


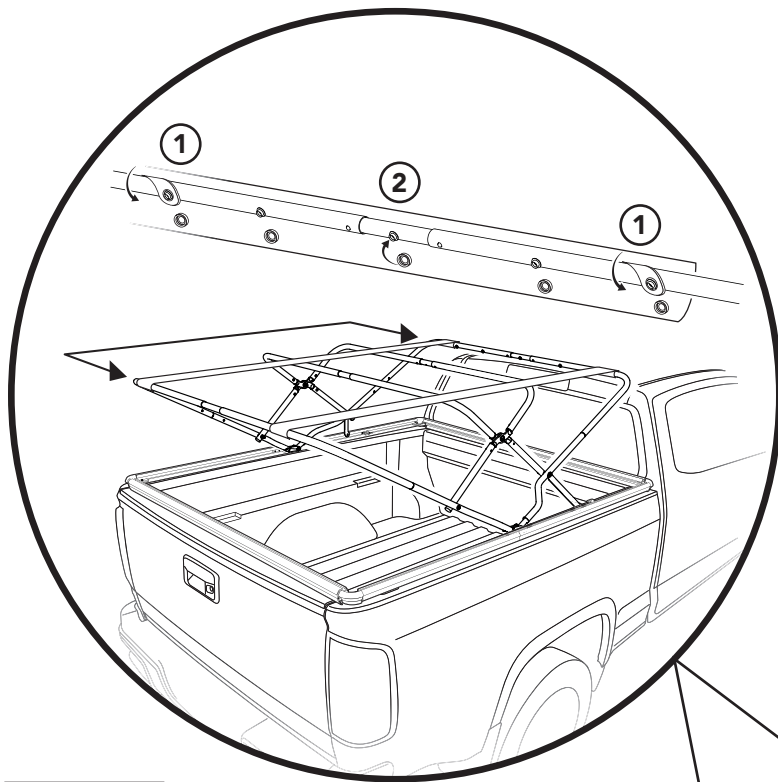
**Step 1**

Place the folded Soft Top onto the unfolded Bow Assembly.

**Step 2**

Unfold the front and back of the Top over the #1 and #4 Bows.





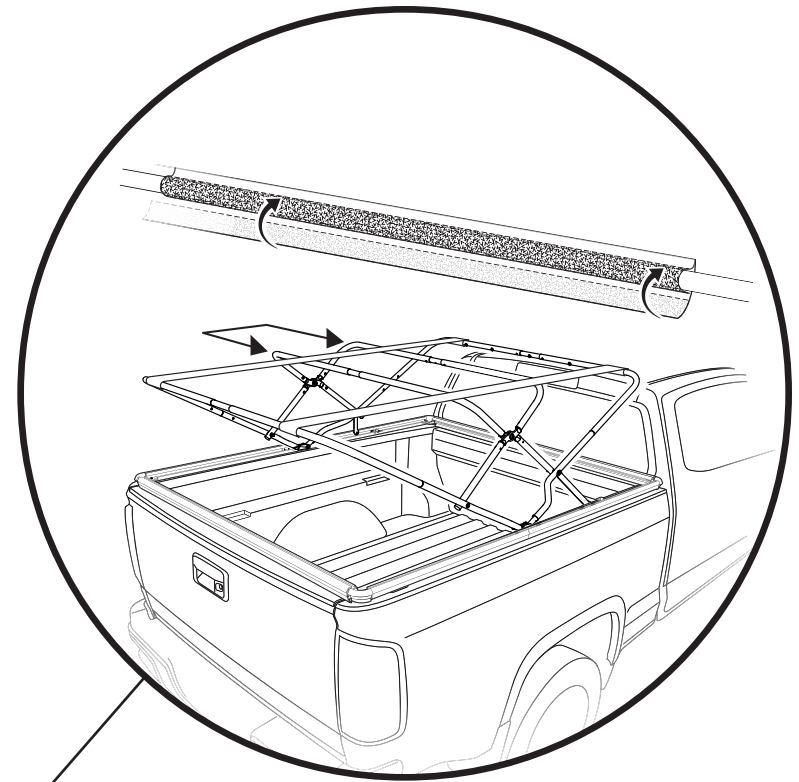
**Step 1**

From inside the truck bed:

- ① Wrap the small flaps with holes over the outer-most snaps on the #1 bow (Bow closest to the truck cab).
- ② Wrap the fabric flap around the #1 Bow and snap all five snaps to secure the fabric to the Bow.

**NOTE:** Secure the outer snaps before securing the center snaps.

Repeat for the #4 Bow (Bow closest to the truck tailgate).

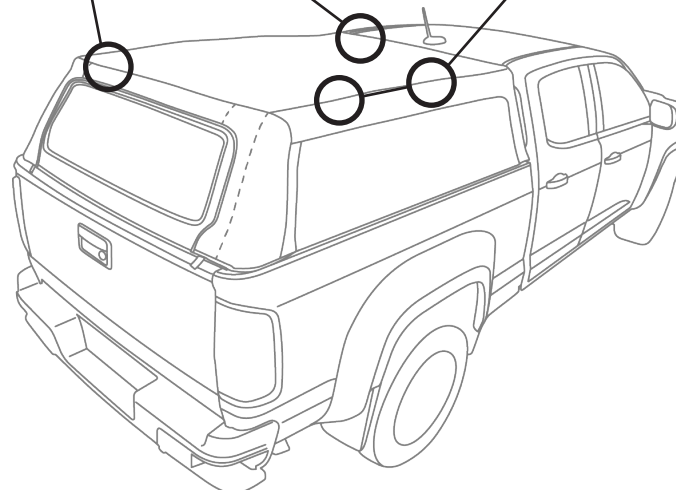


**Step 2**

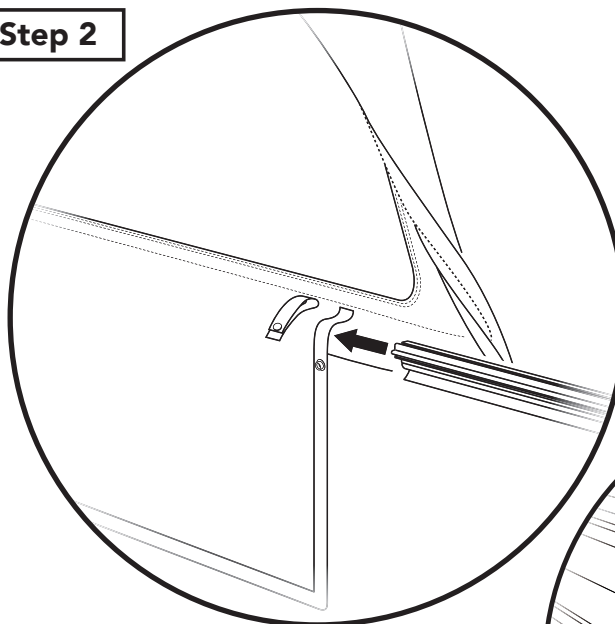
**Step 2**

From inside the truck bed:

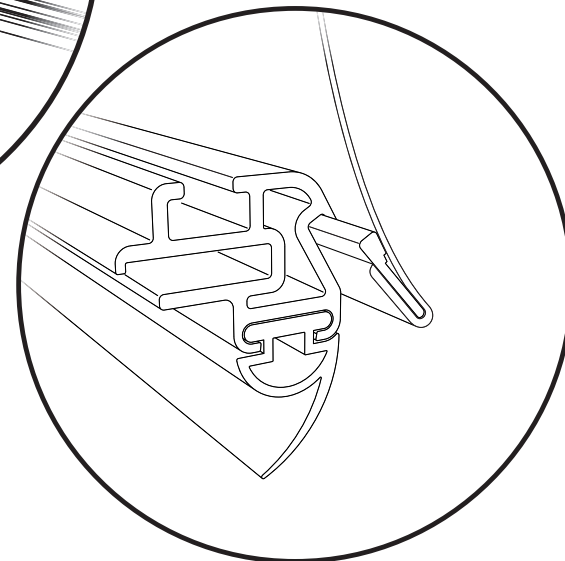
Wrap the fabric flaps with hook-and-loop around the #2 and #3 bows (the two middle bows) to secure the top fabric to these Bows.



Step 2

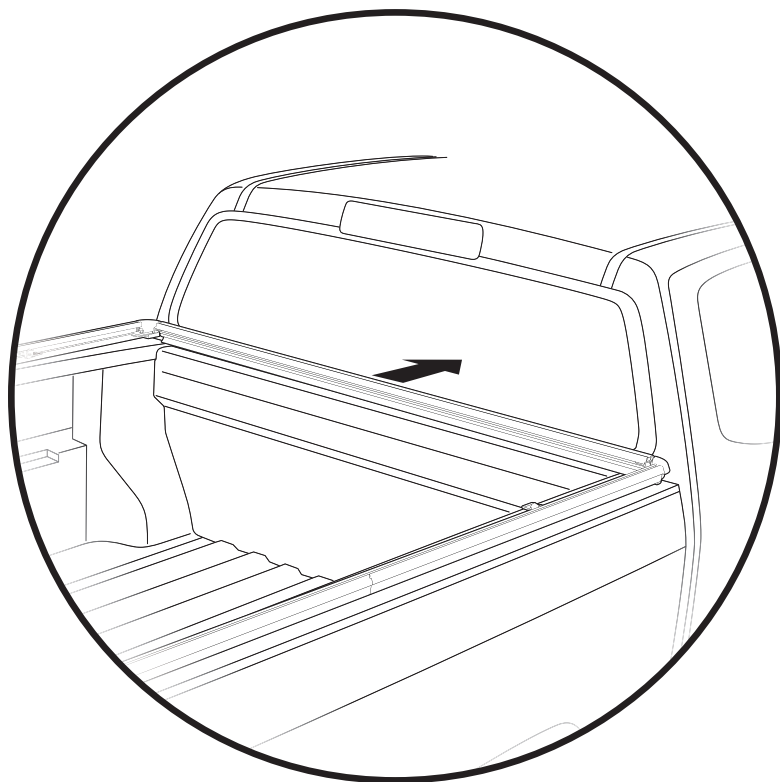


Detail



Step 1

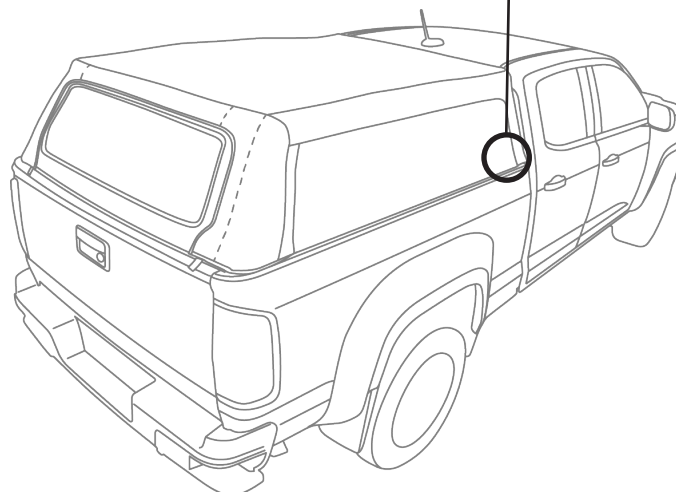
Remove the front rail, by sliding it toward the front of the truck bed.



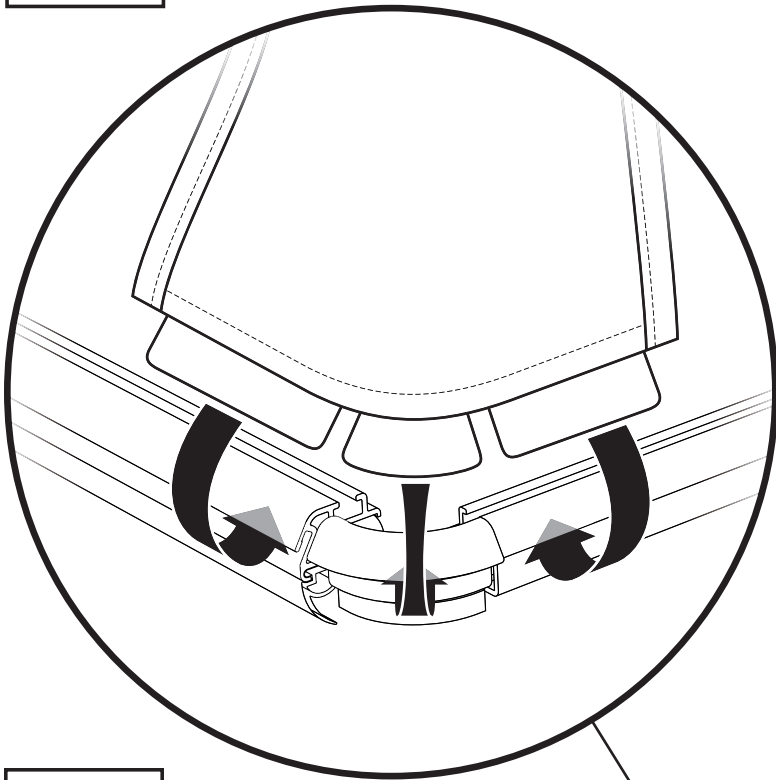
Step 2

Slide the front rail onto the plastic retainer at the bottom of the front window. The rail should go under the large flap.

See Detail.

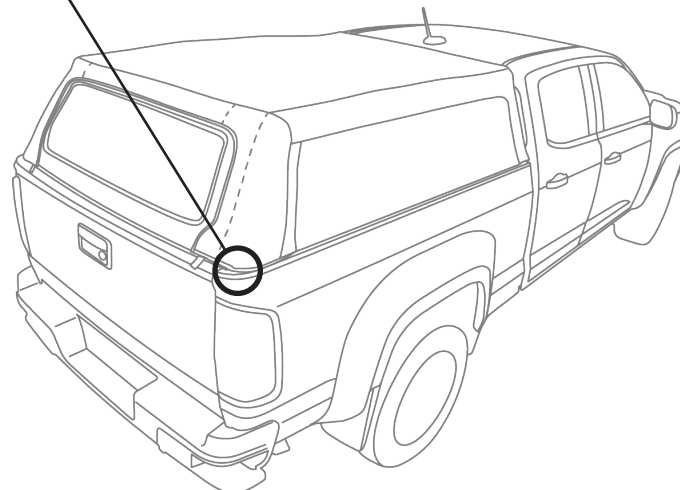


**Step 1**

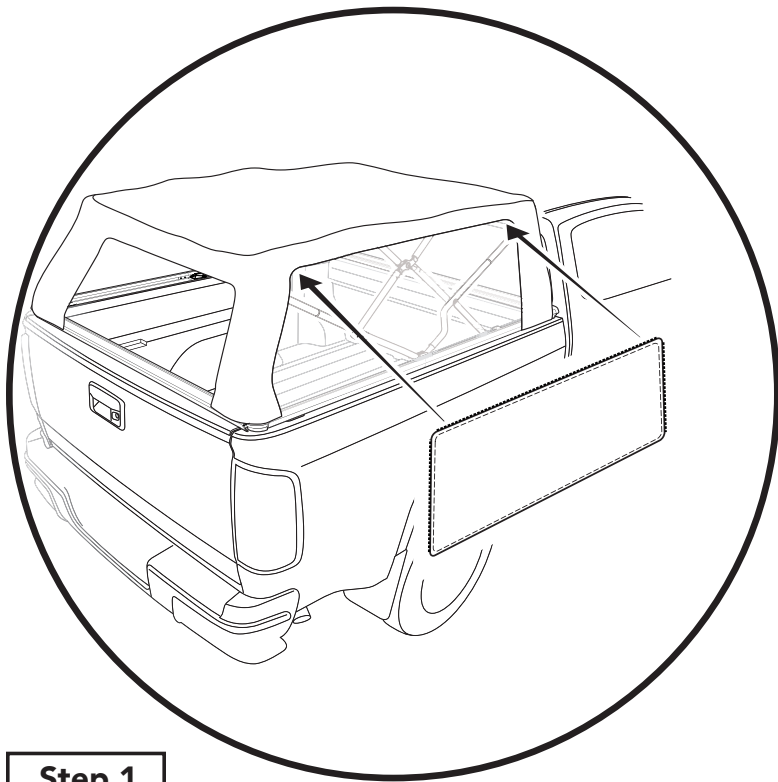


**Step 1**

Tuck the plastic tabs at the bottom of each corner of the top into the slots in the Side Rails and Front and Rear Rails.







**Step 1**

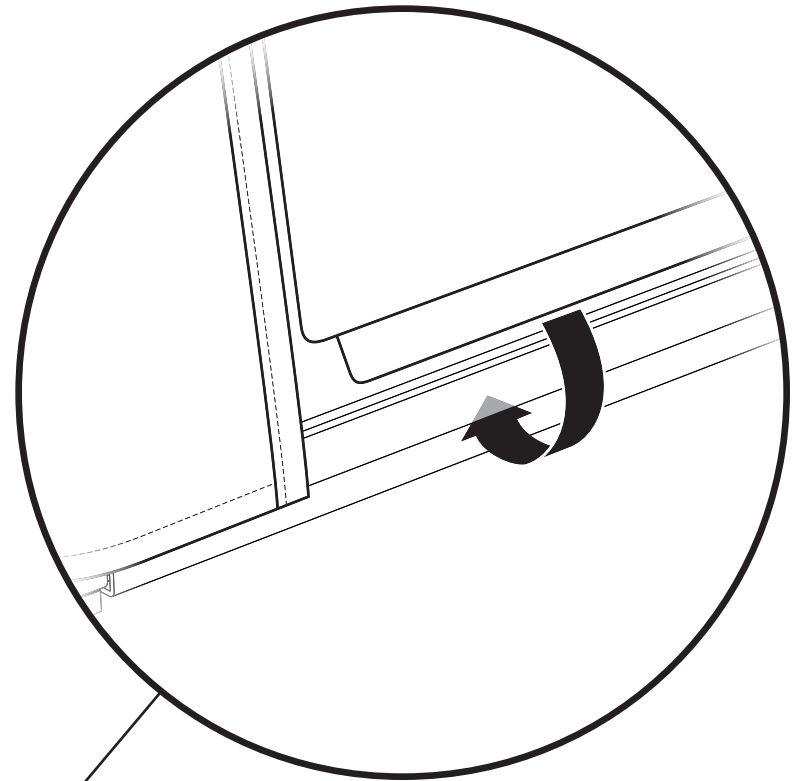
For easier access to the zippers, you may want to lift the corners of the top onto the roof fabric.

Zip the Rear Window and Side Curtains into place.

Start with the zipper along the top edge of each panel, and then follow with the side zippers. For ease of installation, start each zipper only about 6".

Once all zippers are started, flip the rear corners into the rail, then zip all zippers completely shut.

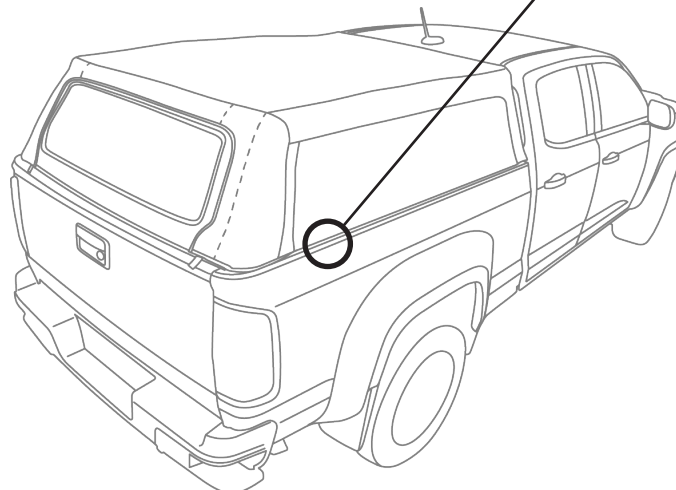
**Step 2**



**Step 2**

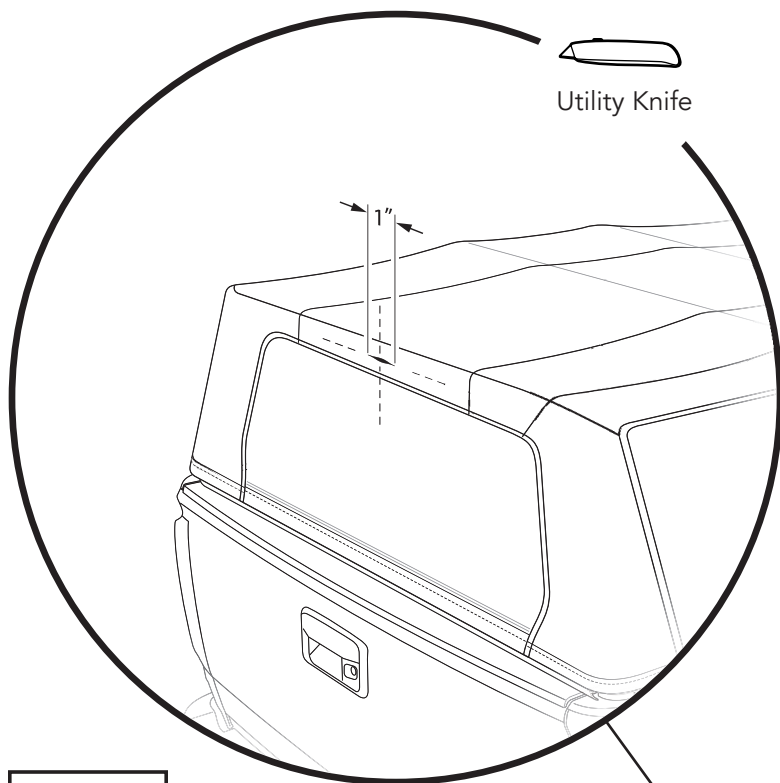
Tuck the plastic tab along the bottom edge of each Side Curtain into the slot along the side of each Side Rail.

Tuck the plastic tab along the bottom of the Rear Window into the slot along the side of the Rear Rail.



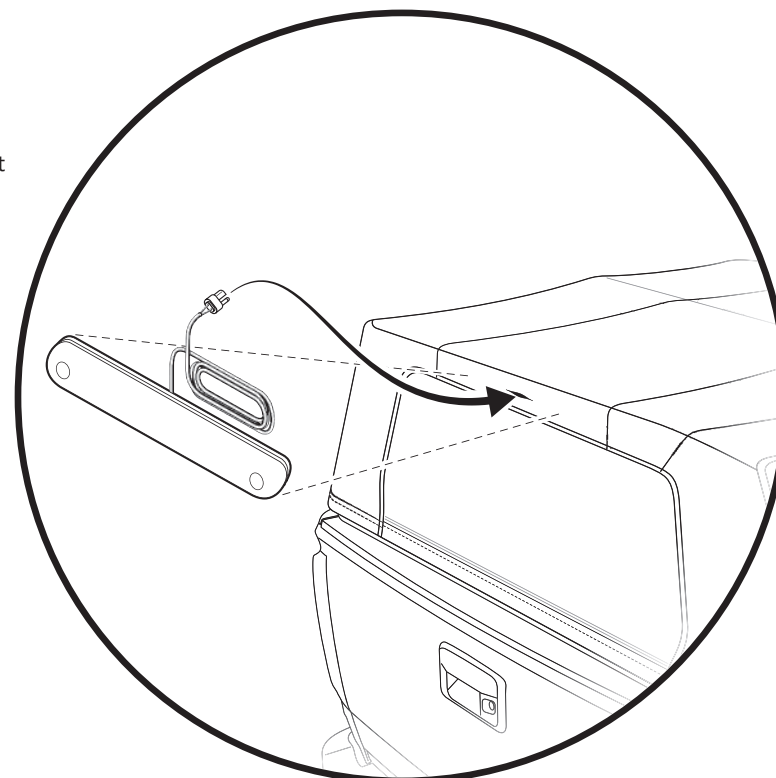
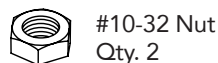
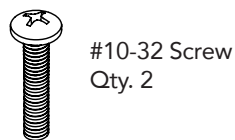
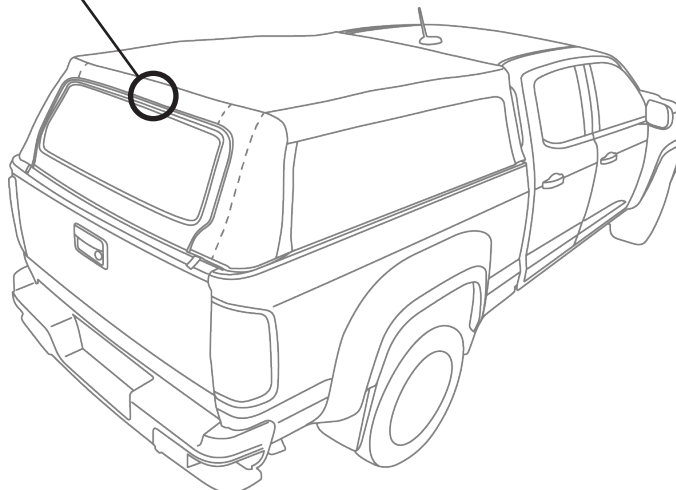
## Hardware Kit #576.71

## Step 2 CHMSL



## Step 1

Using a utility knife, cut a 1" wide slit through both layers of fabric in the area above the middle of the rear window, and in the vertical center of the fabric.



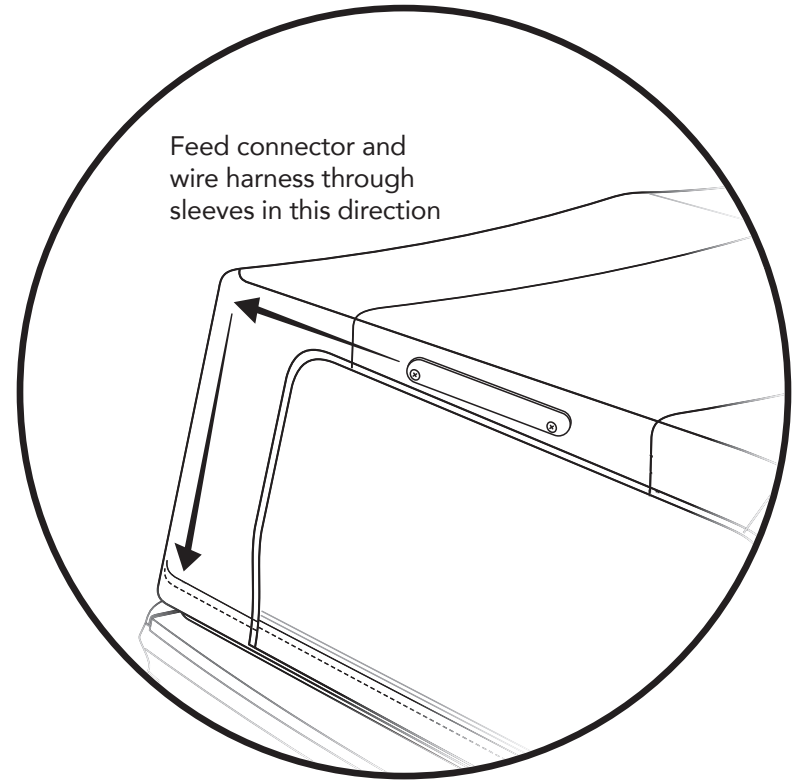
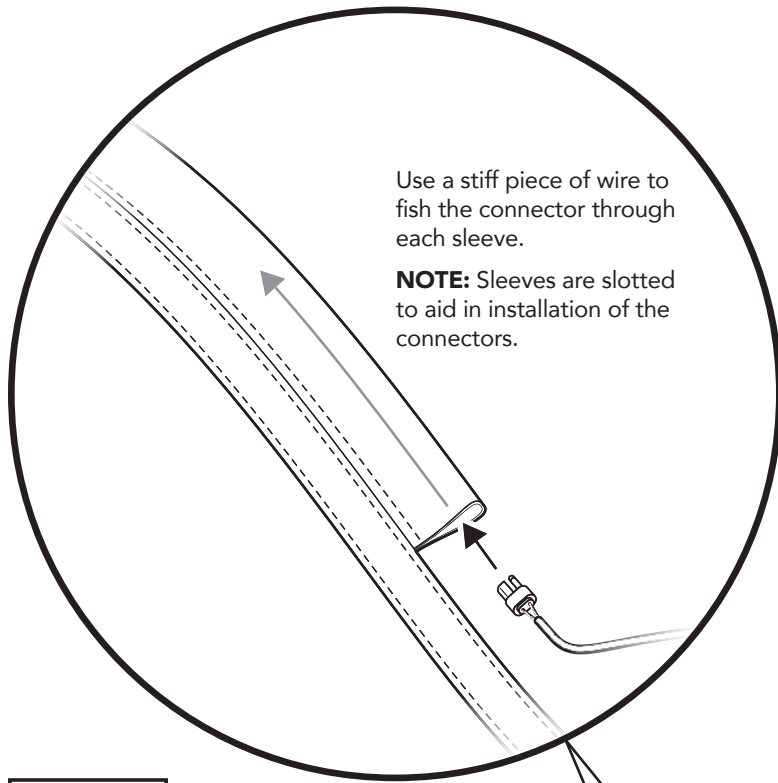
## Step 2

Feed the connector end of the CHMSL wire harness through the slit in the top fabric, and pull the wire all the way through.

Make sure that the light is centered, straight and level, and attach the Stop Light to the top fabric using two (2) 10-32 Screws, two (2) Flat Washers and two (2) 10-32 Nuts. The Nuts and Flat Washers go on the inside of the fabric.

You'll need to pierce the fabric for the screws to go through.

Detail

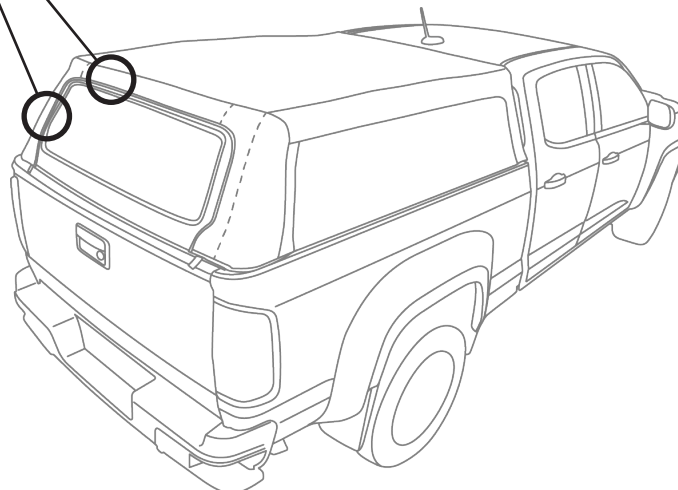


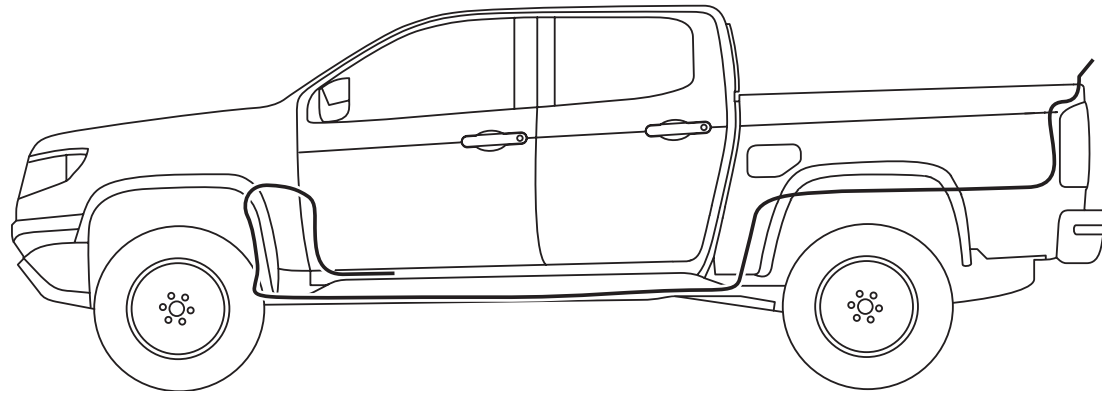
Step 1

Feed the connector and wire harness through the fabric sleeves on the inside of the top.

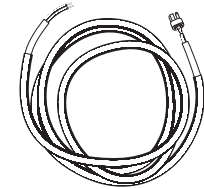
The sleeves run across the top and down the rear corner of the top fabric.

See Detail.





**Hardware**



29' Wire Harness  
Qty. 1



Wire Ties  
(Not included)

**Step 1**

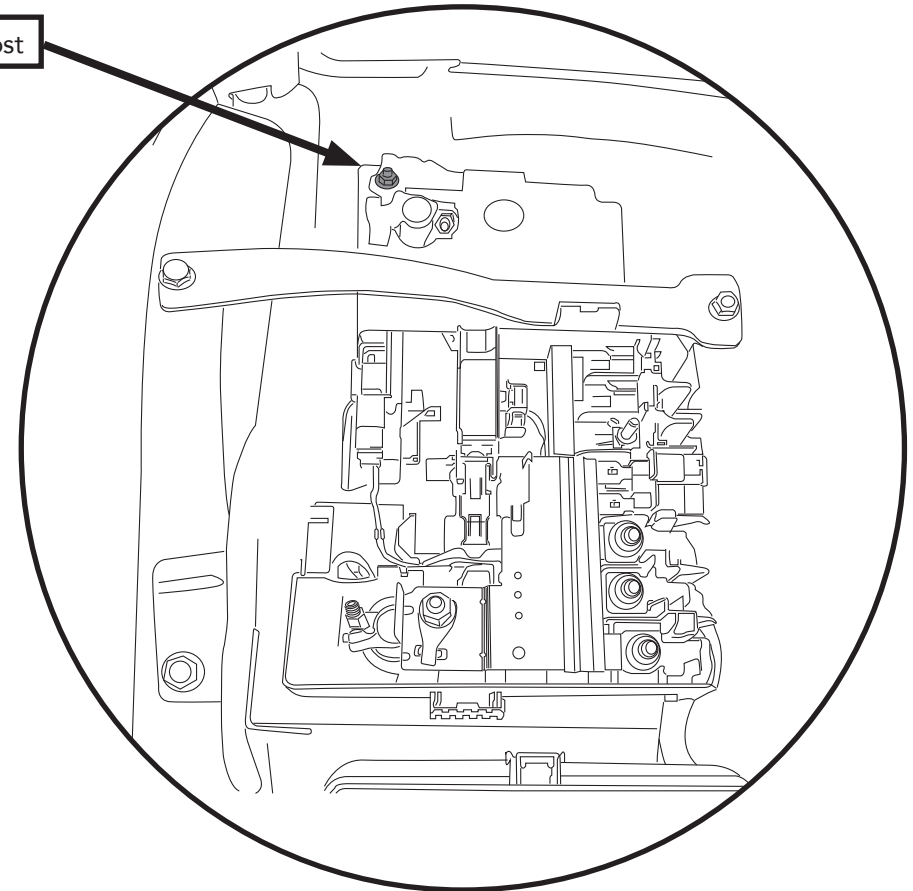
**NOTE:** If there is a connector attached to both ends of the 29' wire harness, one connector will need to be cut off to attach the harness to the vehicle. Connectors are the same, so it doesn't matter which one you remove.

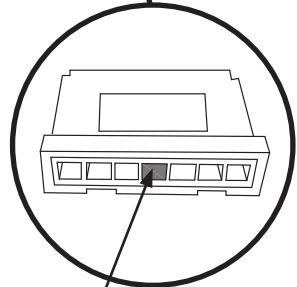
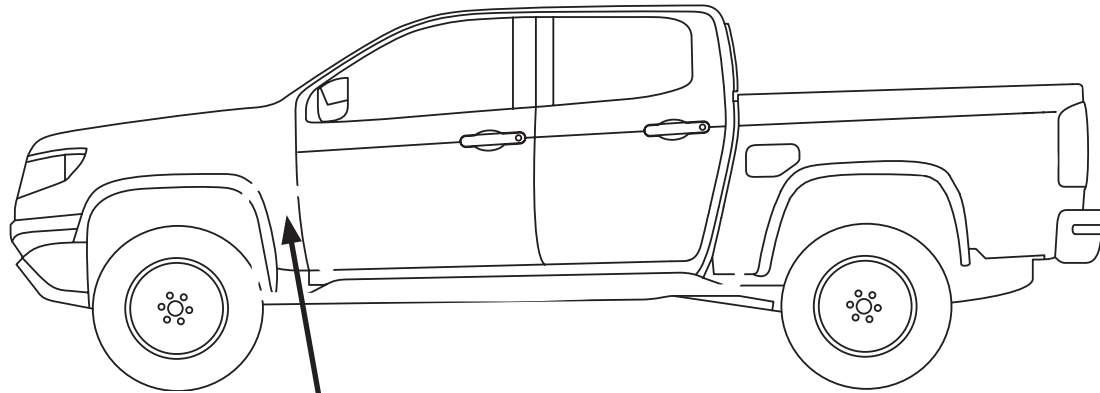
The end of the harness with the remaining connector goes to the rear of the vehicle - the end with the connector removed will go to the inside of the vehicle cab.

Route the 29' Wire Harness along vehicle frame and into engine compartment. Run the Black wire from the harness to the accessory ground post on the battery.

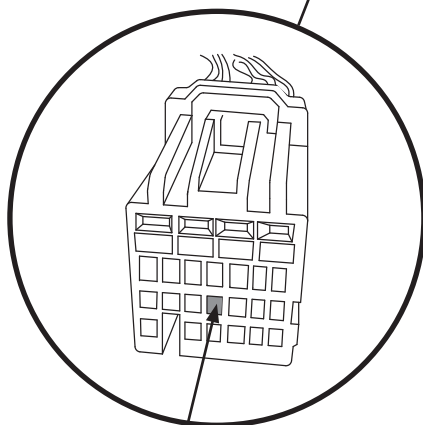
**NOTE:** You May have to remove a cover to get access to the Battery.

**Accessory Ground Post**





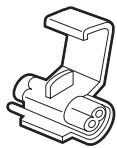
BCM (Body Control Module)- located under driver's side dashboard.



Black plug located in the center slot of BCM.

Wire pin # 11 (violet/white)

**Hardware**



Wire Tap  
Part #577.58  
Qty. 2

**Tools**



Pliers

Alternate GM-Approved method of splicing wires follows on Page 22.

**Step 1**

Locate BCM (Body Control Module)- under driver's side dashboard.

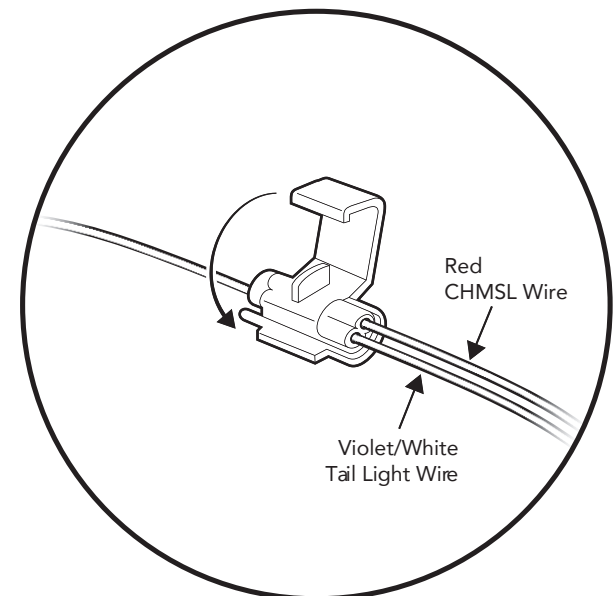
Locate X4 connector (Black), (best to unplug from BCM while attaching wire)

Locate wire pin # 11 (violet/white).

**Step 2**

Attach light wire (solid red) to X4 connector, pin 11.

**Step 2**

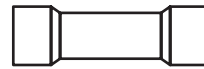
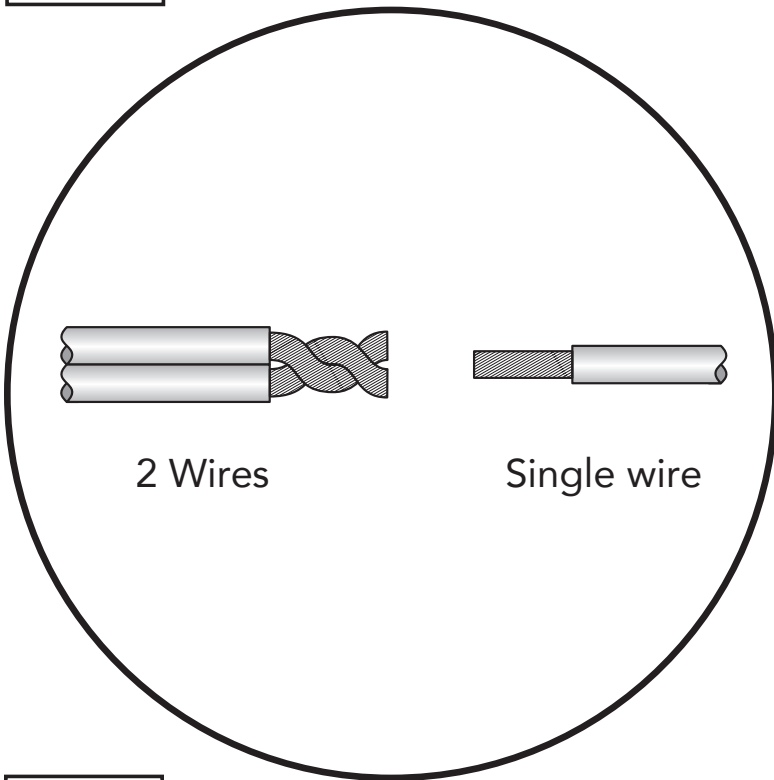


**Step 1**

**Hardware**

**Step 2**

588.13/12089189/D-406-2004

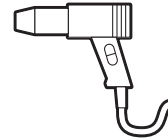


DuraSeal Splice  
 Bestop Part # 588.13  
 GM Part #12089189  
 RayChem (Tyco)  
 Part #D-406-2004  
 Qty. 2

**Tools**



Wire Stripper-Crimper

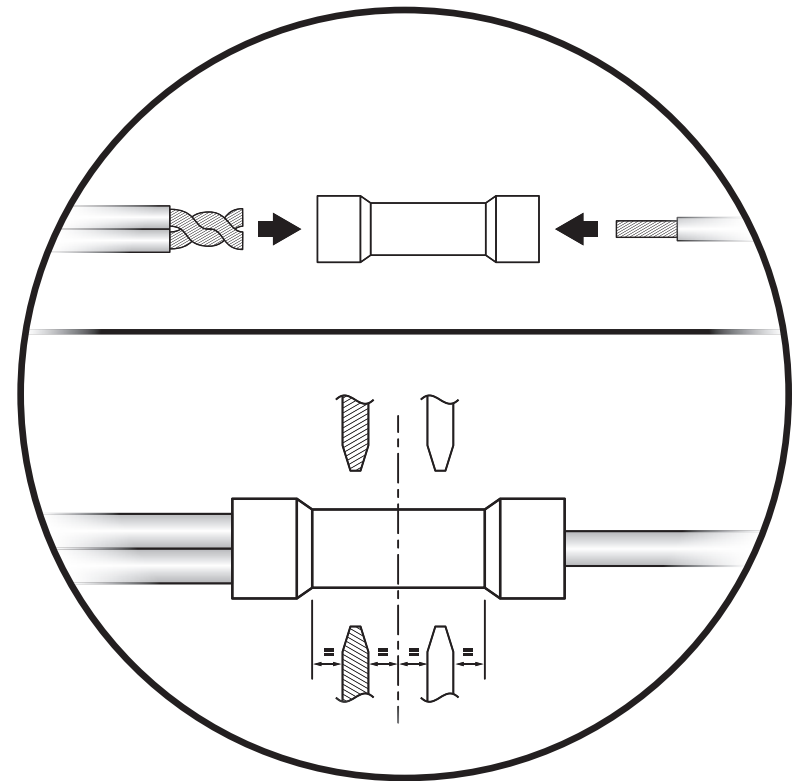


Heat Gun

**Step 1**

Strip enough insulation from all wires to allow twisting them together.

For a 3-wire splice, twist two of the wires together.



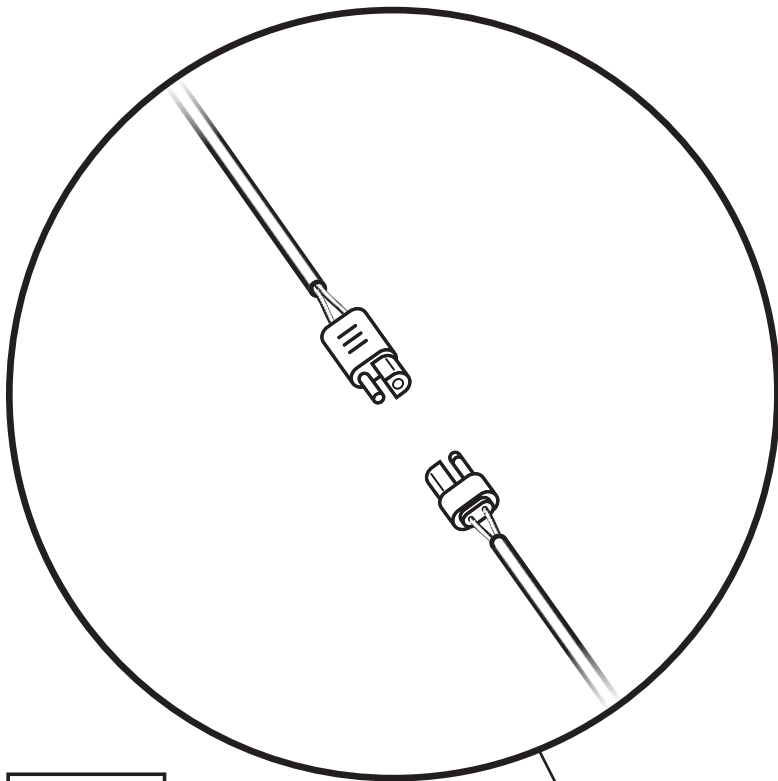
**Step 2**

Select the correct DuraSeal Splice. Match the color of the splice with the color of the cavity of the crimp tool.

Place the crimp tool jaws in contact with the Splice tubing.

Insert the stripped wires until they butt inside the DuraSeal Splice. Crimp the wires in place on both sides of the DuraSeal Splice.

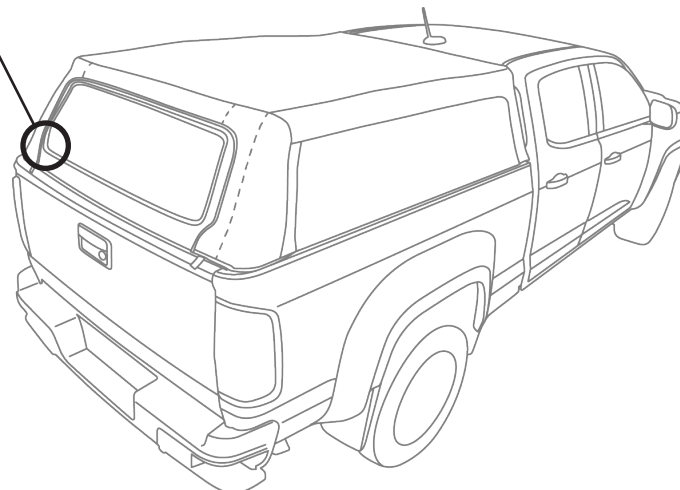
Allow the hot air gun to warm up. Position the DuraSeal Splice in the reflector of the Hot Air Gun. Apply heat to shrink the sleeve of the Splice until the adhesive melts and flows around the extremities of the sleeve.

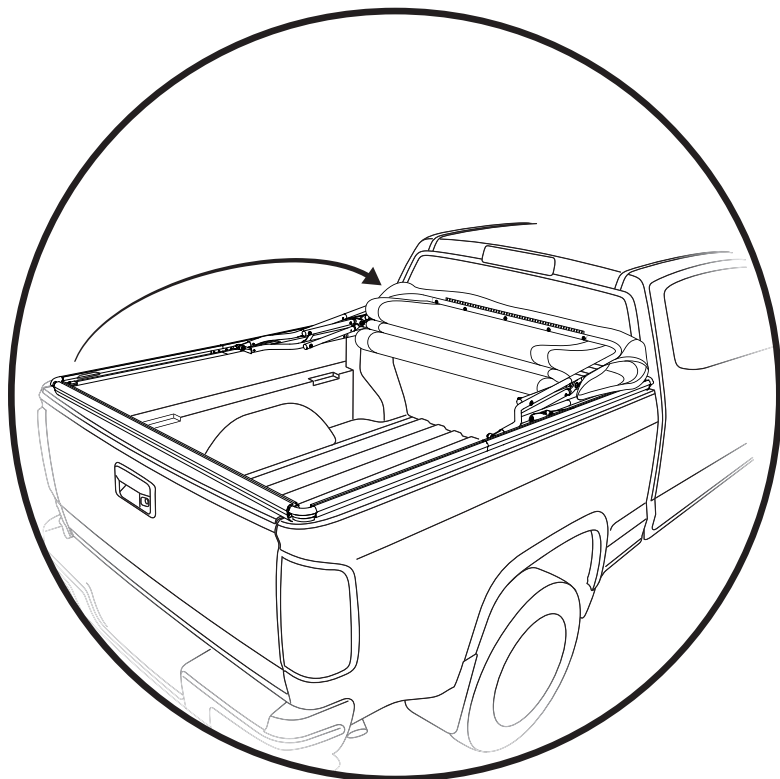


**Step 1**

After routing the 29' Wire Harness using either Route **A** or Route **B** plug the 2-conductor connectors at the ends of the CHMSL Wire Harness and the 29' Wire Harness together.

**NOTE:** You must unplug these connectors before folding the top down.





**Step 1**

To open the top:

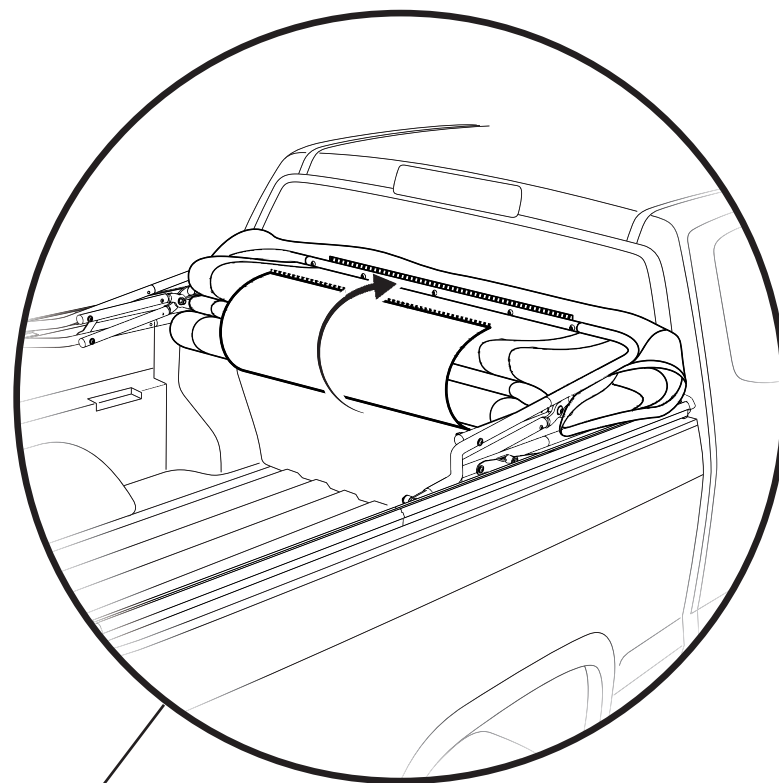
Unzip and remove Side Curtains.

Unzip and remove Rear Window.

Release plastic tabs from rails all around.

Flip rear corners of top fabric up onto roof.

Fold the top forward so that all the bows collapse and rest on the Front Rail.

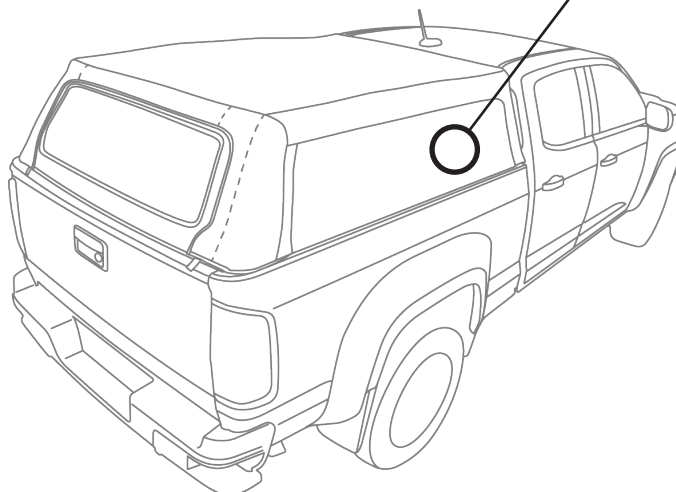


**Step 2**

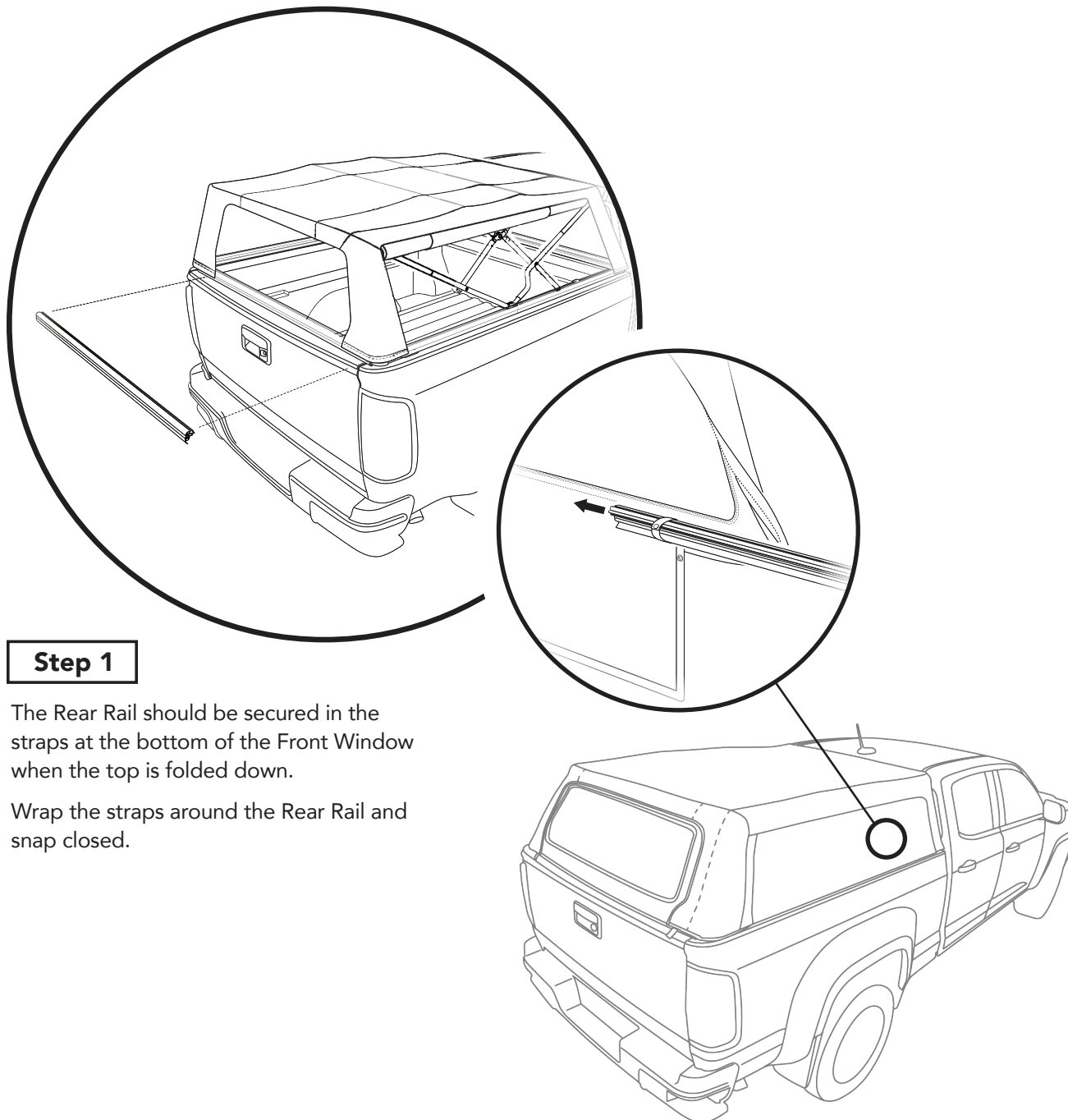
**Step 2**

Protect the top fabric by wrapping the Boot attached to the Front Window around the Fabric and Bows.

Secure the Boot by zipping it to the zipper for the Rear Window.





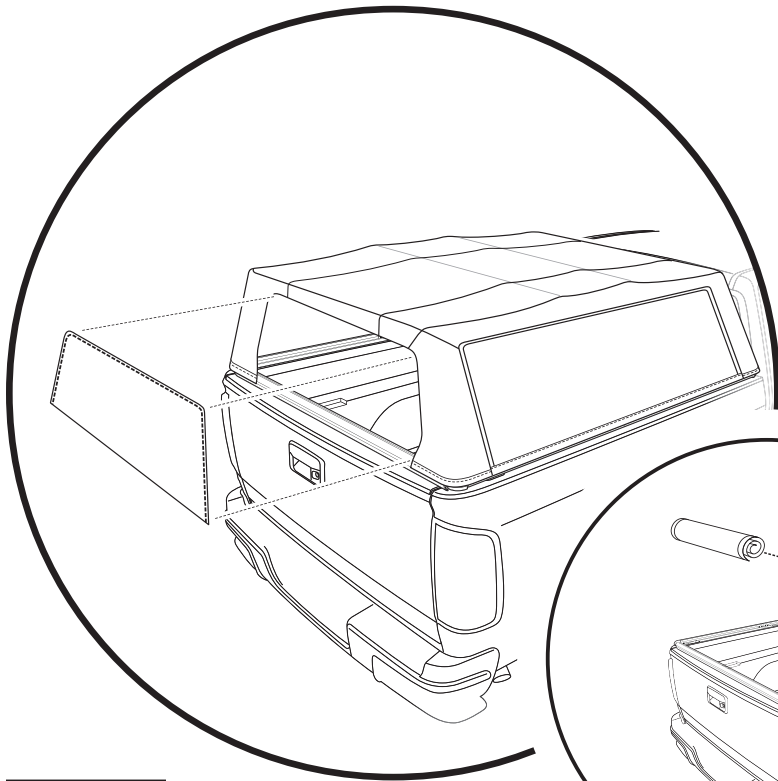


**Step 1**

The Rear Rail should be secured in the straps at the bottom of the Front Window when the top is folded down.

Wrap the straps around the Rear Rail and snap closed.

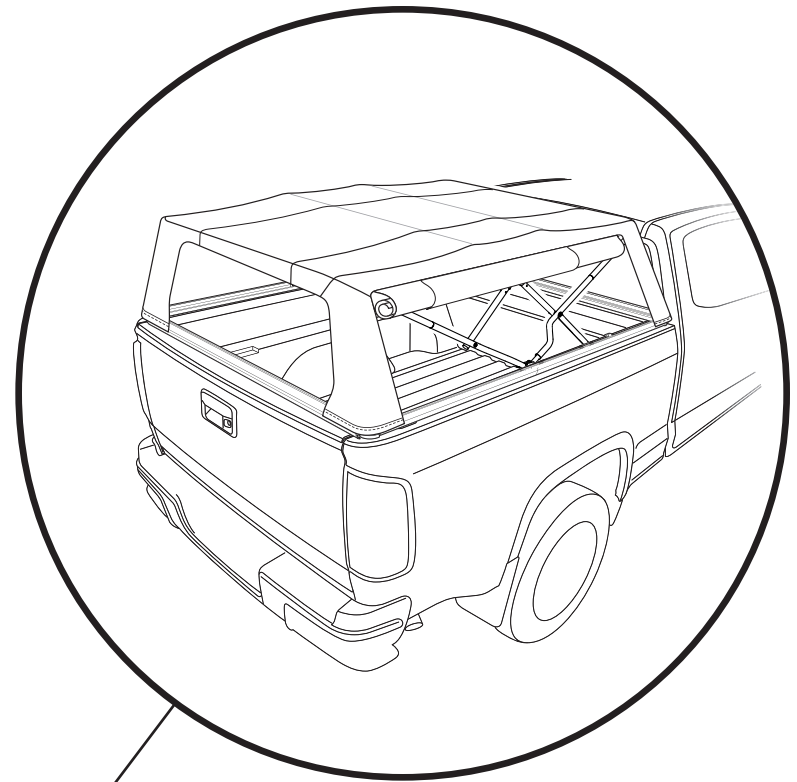
Step 2



Step 1

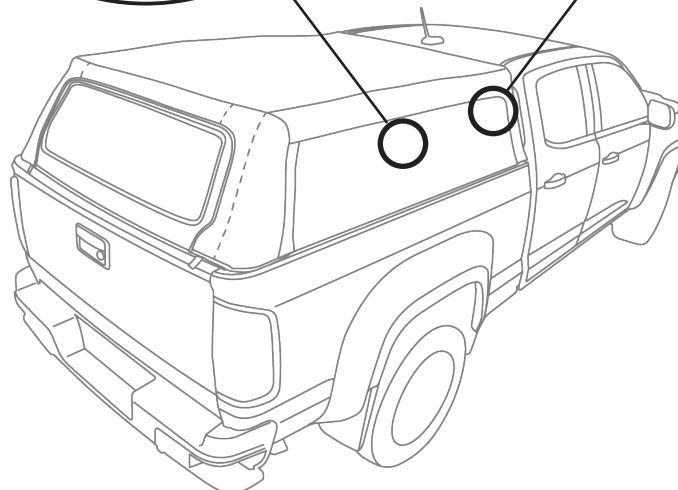
With the Fabric Top up, the Rear Window can be stored in the Boot attached to the bottom of the Front Window.

Place the rolled-up Rear Window in the Boot, and zip the Boot closed.



Step 2

With the Fabric Top up, the Side Curtains can be rolled up and secured with attached side flaps.





## Warranty Information Supertop for Trucks

Vehicle Application:  
Chevrolet Silverado & GMC Sierra 2019-Current 6.5' Bed  
Part Number 77319

### WHAT BESTOP WARRANTS

Subject to the terms and conditions of sale, including any terms and conditions set forth by Bestop, Inc. ("Bestop" or "us" or "we") in our then-current terms of sale on our website (collectively, the "Terms"), Bestop represents and warrants that: the covered products listed in the "Covered Products and Warranty Periods" section (a "Product") will substantially be free from defects in materials and workmanship for the specified warranty periods set forth in that section.

### THE WARRANTY IS LIMITED AND CONDITIONAL

This warranty applies to the original purchaser of the Product only. The warranty is valid only as long as the original retail purchaser owns the vehicle upon which the Product is installed. The warranty expires should the Product be removed from the original vehicle or if the original vehicle is transferred to another owner.

This warranty is not transferable or assignable. The warranty does not apply to Product bought from auction-style or price-bid websites.

THE LIMITED WARRANTY AND STATED REMEDIES ARE SOLE AND EXCLUSIVE AND IN LIEU OF ALL OTHER WARRANTIES AND REMEDIES, AND COMPANY EXPRESSLY DISCLAIMS ALL IMPLIED OR STATUTORY OR OTHER WARRANTIES, INCLUDING WITHOUT LIMITATIONS WARRANTIES OF MERCHANTABILITY, NON-INFRINGEMENT OR FITNESS FOR A PARTICULAR PURPOSE. IN NO EVENT WILL COMPANY BE LIABLE FOR ANY SPECIAL, INCIDENTAL, CONSEQUENTIAL, PUNITIVE, INDIRECT OR EXEMPLARY DAMAGES OF ANY KIND, INCLUDING LOST PROFITS OR REVENUE, HOWEVER CAUSED, WHETHER FOR BREACH OR REPUDIATION OF CONTRACT, TORT, BREACH OF WARRANTY, NEGLIGENCE, OR OTHERWISE, WHETHER OR NOT COMPANY WAS ADVISED OF THE POSSIBILITY OF SUCH LOSS OR DAMAGES.

*Some states do not allow exclusion or limitation, so this may not apply to you. This warranty gives you specific legal rights, and you may have other rights which vary from state to state.*

### EXCLUSIONS TO THE WARRANTY

The Limited Warranty excludes, and Bestop is not liable in any way for any warranty claims, damages, or defects related to:

- Misuse, abuse, accidents, vandalism, negligence, fire, or improper installation or modification, or improper or inadequate maintenance;
- Failure to comply with any Product documentation, Bestop instructions, or applicable law or regulations; use in extreme conditions
- Force Majeure including but not limited to, earthquake, hurricane, tornado, flooding, or other disasters natural or man-made, civil unrest, strikes, declared or undeclared war, or lack of performance by, or discontinued product of, supply chain partners whose products, software, operations or management is beyond the control of Bestop;
- Damage resulting in breakage (including without limitation, spontaneous breakage, accidental breakage or breakage by any other means) of a Product or any component part;
- Damage to vinyl windows due to misuse, or cracking due to varying weather conditions.

### YOUR SOLE REMEDY

During the applicable warranty period, Bestop shall, at its option, either repair or replace any Product that it confirms, in its discretion, is non-compliant with the warranties herein. Bestop will not pay for labor charges associated with installation or removal of the Product. Should a specific Product be discontinued, Bestop may, at its option, replace the discontinued Product with a current product or like product.

Please retain your proof of purchase. Original proof of purchase for the Product must accompany any warranty claim. If you have a warranty claim, first you must email Bestop Customer Service at [csbestop@bestop.com](mailto:csbestop@bestop.com) for instructions. All claims must be emailed to [csbestop@bestop.com](mailto:csbestop@bestop.com) within 30 days of discovery of a defective Product, but in no event later than thirty days after the end of the applicable Warranty Period (the "Warranty Notice Period"). Warranty claims made after the Warranty Notice Period are null and void and Bestop shall have no responsibility with respect to such claims.

THIS SECTION SETS FORTH BESTOP'S SOLE OBLIGATION & YOUR SOLE REMEDY WITH RESPECT TO ANY DEFECTS OR OTHER PRODUCT ISSUE. ANY PRODUCTS REPLACED UNDER TERMS OF THIS WARRANTY WILL BE COVERED UNDER TERMS & BALANCE OF THE DURATION OF THE ORIGINAL LIMITED WARRANTY FOR SUCH PRODUCT.



## Warranty Information Supertop for Trucks

Vehicle Application:  
Chevrolet Silverado & GMC Sierra 2019-Current 6.5' Bed  
Part Number 77319

**COVERED PRODUCTS AND WARRANTY PERIODS:** The warranty time periods are as follows for Products manufactured by Bestop:

### **BESTOP® LIMITED LIFETIME WARRANTY**

Trektop® Pro Twill Fabric Top Sunrider® for Hardtop Twill Fabric Top  
Trektop® NX Glide Twill Fabric Top Replace-a-Top™ Twill Fabric Top  
Trektop® NX Twill Fabric Top Supertop® NX Twill Fabric Top  
EZFold™ Soft Tonneaus Floor & Cargo Liners  
ZipRail™ Soft Tonneaus Pet Barriers  
EZRoll™ Soft Tonneaus

### **BESTOP® 5-YEAR LIMITED WARRANTY**

Trektop® NX Glide™ Top (non-Twill) Sunrider® for Hardtop (non-Twill) Replace-a-Top™ Top (non-Twill) Trektop® NX Top (non-Twill)  
Sailcloth Replace-a-Top™ Supertop® NX Top (non-Twill)  
Tigertop™ and Halftop™ Supertop® Classic Soft Top Sunrider® Complete Soft Top Supertop® for Truck  
EZ Fold Hard Tonneau

### **BESTOP® 3-YEAR/100K MILES LIMITED WARRANTY**

Powerboard® & Powerboard® NX  
Trekstep®, Side Mount  
Trekstep®, Rear Mount

### **BESTOP® 3-YEAR LIMITED WARRANTY**

Pavement Ends Sprint Top

### **BESTOP® 2-YEAR LIMITED WARRANTY**

Trektop® Classic Soft Top  
RoughRider™ Soft Storage

### **BESTOP® 1-YEAR LIMITED WARRANTY**

All other Bestop® & Pavement Ends™ products not specified above.

**For further information or request for warranty work, please contact:**

**Bestop Inc. Customer Service**  
**Toll-Free: (800)845-3567**  
**Main: (303)465-1755**  
**E-mail: [csbestop@Bestop.com](mailto:csbestop@Bestop.com)**  
**Website: [www.Bestop.com](http://www.Bestop.com)**

This product may be covered by 1 or more patents or pending applications, information can be found at [www.bestop.com/patents](http://www.bestop.com/patents)