



Installation Instructions

Trekstep®
Rear mounting step

Vehicle Application:
RAM 1500 2019-Current
Part Number 75513 - Drivers side
Part Number 75514 - Passenger side

Installation Tips

Before you begin installing your new TrekStep, please read all the instructions thoroughly, and watch the Bestop installation video. (See Support section on this page).

WARNING Do not rely in any way on the components of this product to protect against injury or death in the event of an accident. Never operate the vehicle in excess of manufacturer's specifications. Read and follow, precisely, all installation instructions provided when installing this product. Failure to do so may result in a poor fit and could place occupants of the vehicle in a potentially dangerous situation.

CAUTION Safety glasses should be worn at all times when installing this product.



Tools



Safety glasses



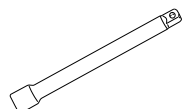
16mm and 17mm Wrench



Ratchet



8mm and 3/16" Allen Wrench



Extension



16mm and 17mm Sockets

Installation Time

0 30 30 Minutes

Skill Level

1 2 3 4

1 - Easy

Support

We're here to help!
Go to to <http://www.Bestop.com>
and click "Need Help"

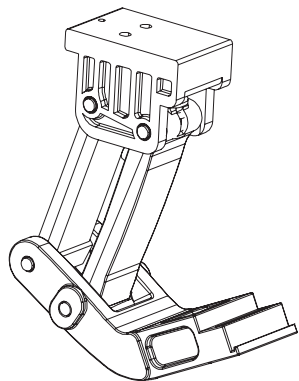


Installation Instructions

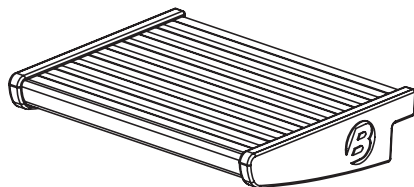
Trekstep®
Rear mounting step

Vehicle Application:
RAM 1500 2019-Current
Part Number 75513 - Drivers side
Part Number 75514 - Passenger side

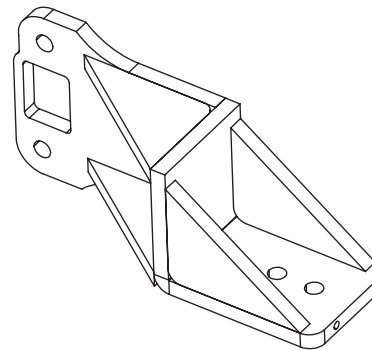
Parts List



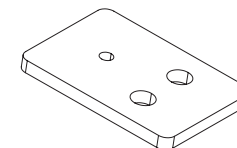
Linkage Assembly
Part # 508.49
Qty. 1



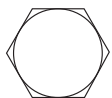
Board Assembly
Part # 508.47
Qty. 1



Frame Mount
Part # 587.75 Drivers side (Shown)
Part # 587.76 Pass. side
Qty. 1



1/4" Spacer
Part # 487.64
Qty. 2



Hex Bolt
M10-1.5 X 65 mm
Part # 476.02
Qty. 2



Hex Bolt
M10-1.5 X 45 mm
Part # 487.20
Qty. 2



Socket cap screw
M6-1.0 x 18 mm
Part # 588.03
Qty. 2



Lock washer M10
Part # 481.59
Qty. 2



Loctite
Part # 309.83
Qty. 1



Installation Instructions

Trekstep®

Rear mounting step

Vehicle Application:

RAM 1500 2019-Current

Part Number 75513 - Drivers side

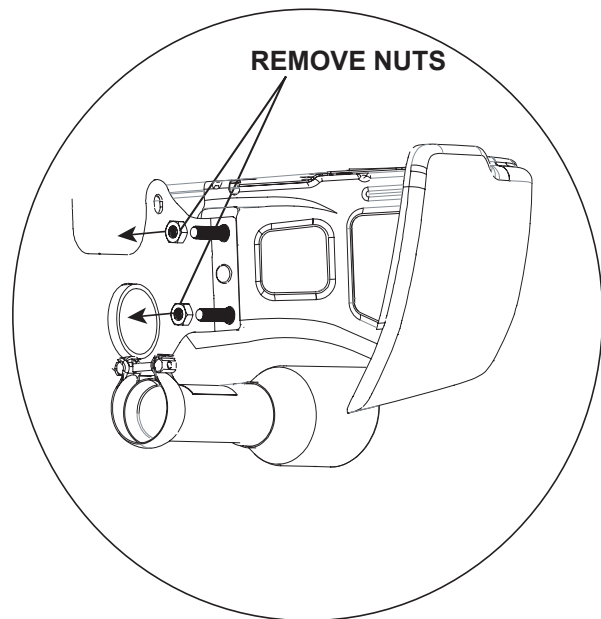
Part Number 75514 - Passenger side

Note:

Installation for 75513 drivers side shown, 75514 Passenger side will follow the same steps but on Passenger side of vehicle.

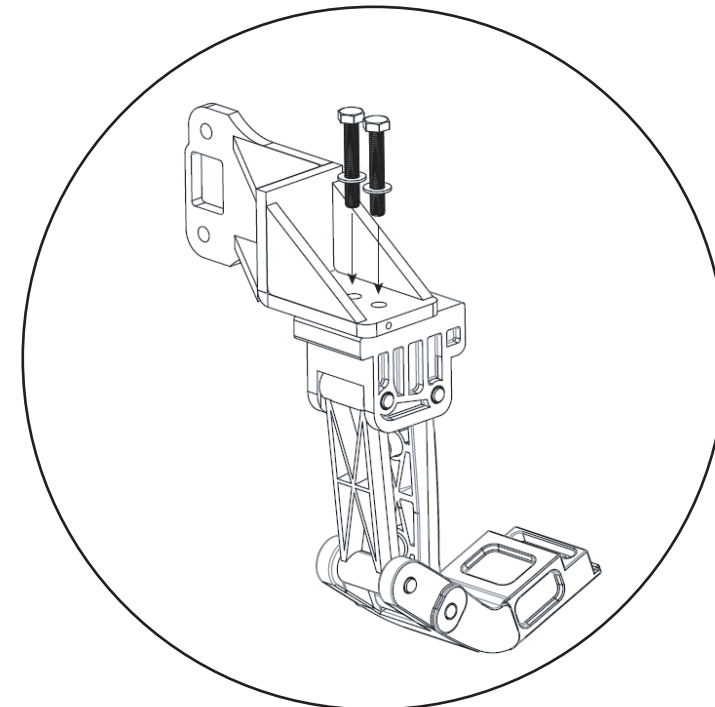
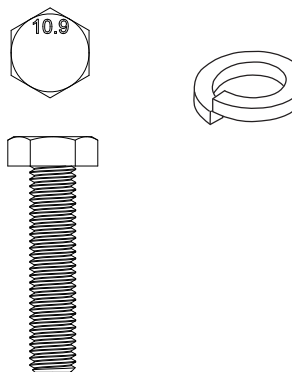
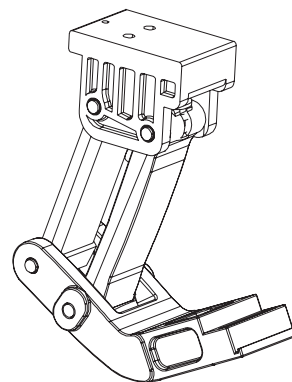
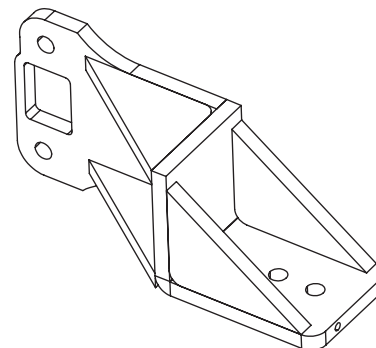
For all fasteners apply a small drop of loctite before installation.

HARDWARE



STEP 1

Remove two bumper support nuts and set aside to be used later in install.



STEP 2

Install body mount to linkage assembly. Use two M10 x 45mm bolts and two M10 lock washers to fasten mount to linkage.



Installation Instructions

Trekstep®

Rear mounting step

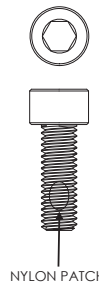
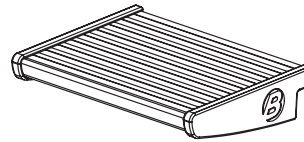
Vehicle Application:

RAM 1500 2019-Current

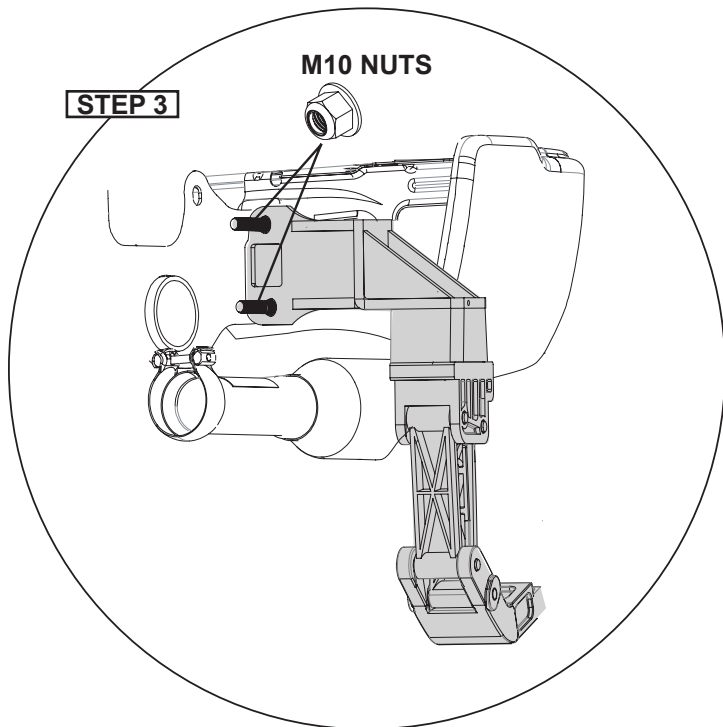
Part Number 75513 - Drivers side

Part Number 75514 - Passenger side

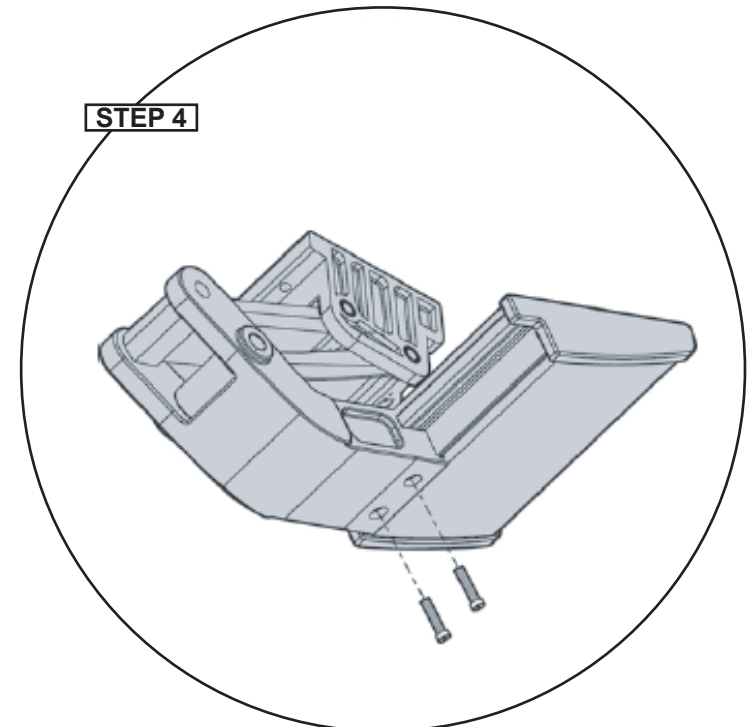
HARDWARE



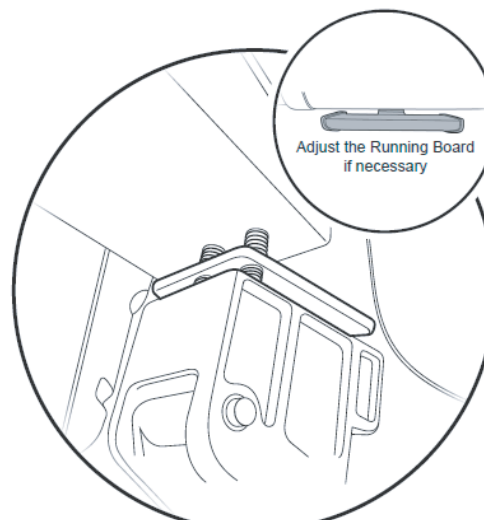
NYLON PATCH



Install assembly on to threaded studs in bumper. Reinstall two M10 nuts removed in step 1.



Install board to linkage using 2 M6 x 18 mm socket head cap screws. Adjust the Step from side to side. Make sure to leave clearance for foot access to lower step. Tighten the allen head bolts.



Note: If the step is hitting the vehicle or if you want it to be lower add one to two (1 - 2) of the supplied spacers. Remove the M10-1.5 X 45 screws. Place one or two shims in between the Linkage and Mounting Bracket. Then re-attach using the M10-1.5 X 65 Hex Head Bolts.



Installation Instructions

Trekstep®
Rear mounting step

Vehicle Application:
RAM 1500 2019-Current
Part Number 75513 - Drivers side
Part Number 75514 - Passenger side

Operation

- The TrekStep™ is foot operated and deploys and retracts with a nudge of your foot.
- To deploy, press down using your foot, on the forward outside corner of the step pad.
- To retract, gently kick the underside of the step pad.
- Max Load Capacity: 400 lbs.
- Always use appropriate hand holds when stepping up to or down from your truck's cargo bed.

Care and Maintenance

The step pad surface and linkage arms should be washed with mild soap and water using a soft brush or sponge to dislodge any mud, dirt or accumulated road grime. Rinse with fresh water. After it is dry, lubricate the hinge with 3-IN-ONE Oil.

To prevent slipping, avoid applying waxes, lubricants or protectants like Armor All® to the step surface.

Attention!

TrekStep™ SHOULD ALWAYS BE STOWED IN THE RETRACTED POSITION WHEN DRIVING.

LIMITED WARRANTY

We warrant our product to be free from defects in material and workmanship, for the terms specified below, provided there has been normal use and proper maintenance. This warranty applies to the original purchaser only. All remedies under this warranty are limited to the repair or replacement of any item or items found by the factory to be defective within the time period specified. If you have a warranty claim, first you must call our factory at the number below for instructions. You must retain proof of purchase and submit a copy with any items returned for warranty work. Upon completion of warranty work, if any, we will return the repaired or replaced item or items to you freight prepaid. Damage to our products caused by accidents, fire, vandalism, negligence, misinstallation, misuse, Acts of God, or by defective parts not manufactured by us, is not covered under this warranty.

THE WARRANTY TIME PERIOD IS AS FOLLOWS FOR ALL TrekSteps™ MANUFACTURED BY OUR COMPANY: THREE YEARS / 36,000 MILES FROM DATE OF PURCHASE.

ANY IMPLIED WARRANTIES OF MERCHANTABILITY AND/OR FITNESS FOR A PARTICULAR PURPOSE CREATED HEREBY ARE LIMITED IN DURATION TO THE SAME DURATION AND SCOPE AS THE EXPRESS WRITTEN WARRANTY. OUR COMPANY SHALL NOT BE LIABLE FOR ANY INCIDENTAL OR CONSEQUENTIAL DAMAGE.

Some states do not allow limitations on how long an implied warranty lasts, or the exclusion or limitation of incidental or consequential damages, so the above limitations or exclusions may not apply to you. This warranty gives you specific legal rights, and you may also have other rights which vary from state to state.

For further information or request for warranty work, please contact:

Bestop Inc. Customer Service
Toll-Free: (800)845-3567
E-mail: csbestop@Bestop.com
Website: www.Bestop.com