






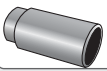



# Installation Instructions TrekStep Side-Mount™

## Vehicle Application

- Toyota Tundra Crewmax - Driver Side  
5.5' Bed  
2007 – Current  
Part Number: 75411-15

[www.bestop.com](http://www.bestop.com) - We're here to help! Visit our web site and click on "Ask a Question". Click here for more [Truck Accessories by Bestop](#).

INSTALLATION TIME	SKILL LEVEL
 <b>1 Hour</b>	 <b>1 - Easy</b>

TOOLS				
 Ratchet	 Socket	 Wrench	 Allen Wrench	 Safety Glasses
	17mm, 13mm	17mm, 10mm 14mm	4mm, 5mm	



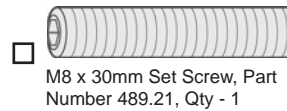
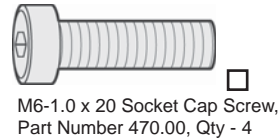
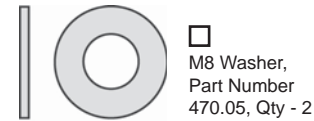
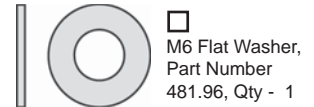
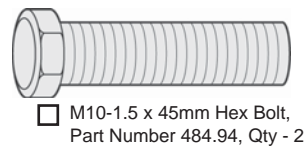
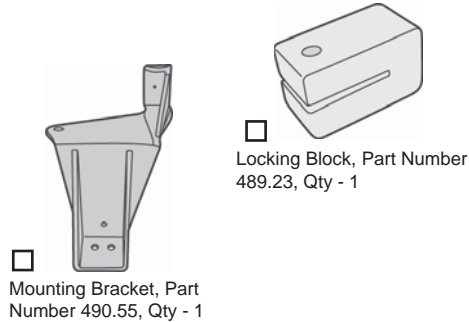
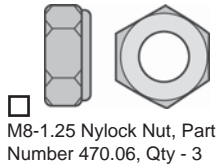
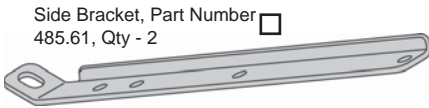
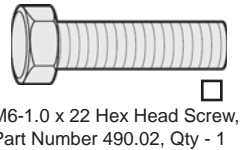
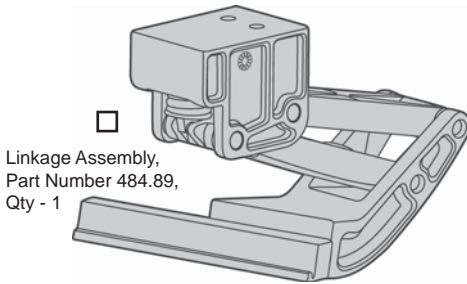
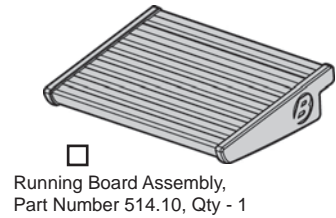
**! WARNING** Do not rely in any way on the components of this product to protect against injury or death in the event of an accident. Never operate the vehicle in excess of manufacturer's specifications.

### WEAR SEAT BELTS AT ALL TIMES

Read and follow, precisely, all installation instructions provided when installing product. Failure to do so may result in a poor fit and could place occupants of the vehicle in a potentially dangerous situation.

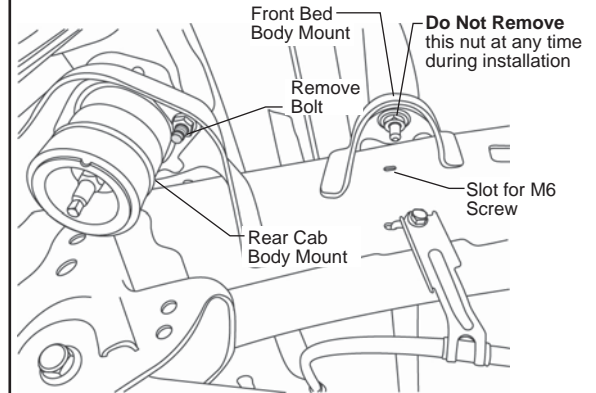
# TrekStep Side-Mount™ – Installation Instructions

## Parts List and Hardware Identification



### 1 Remove Bolt

Remove the rear bolt on the rear cab body mount with a 14mm open end wrench. Save the screw.

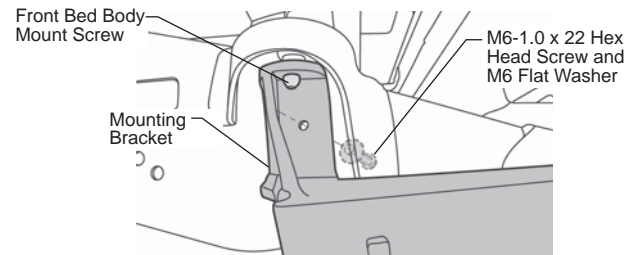
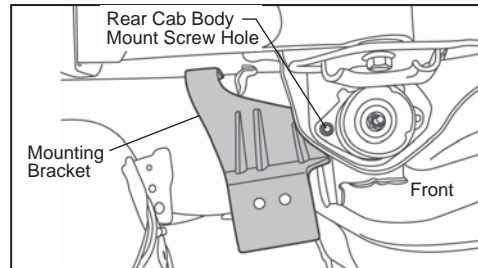


# TrekStep Side-Mount™ – Installation Instructions

## 2 Install Mounting Bracket

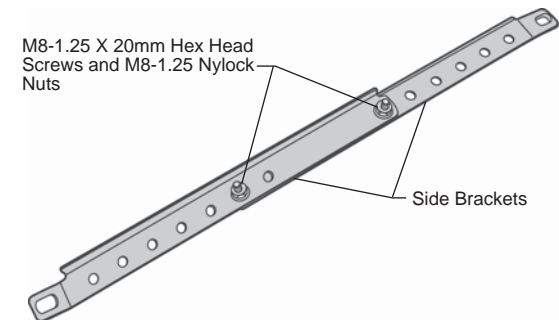
Locate the slot in the frame below the front bed body mount. Slide the top hole of the Mounting Bracket over the stud of the front bed body mount. Position the front hole of the bracket over the hole in the cab body mount. Look at the inside of the frame rail and line up the tapped M6 hole in the bracket with the slot in the frame. Put an M6 Washer on an M6-1.0 X 22 Hex Head Screw.

Thread the screw through the frame and into the bracket. Insert the bolt from step 1 through the Mounting Bracket and into the body mount and tighten securely.



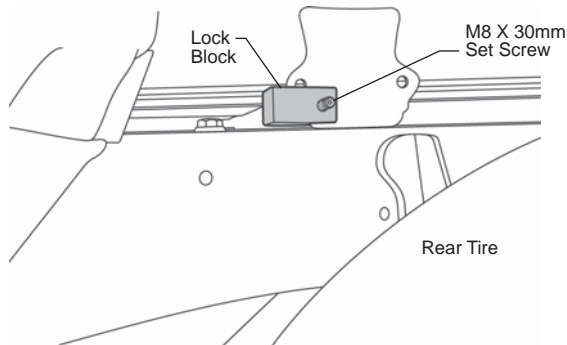
## 3 Assemble Side Bracket

Position the two Side Brackets back to back as shown. Secure them with two M8-1.25 X 20mm Hex Head Screws and two M8-1.25 Nylock Nuts.



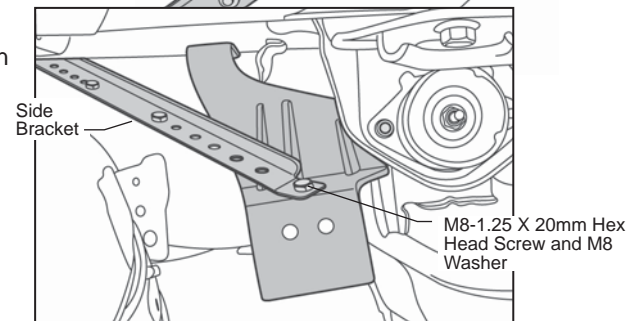
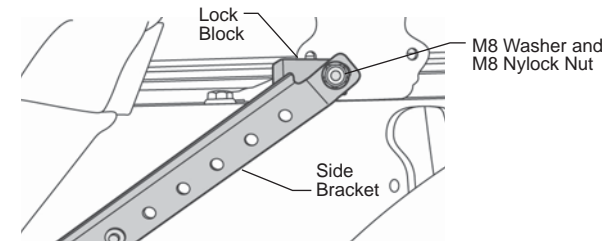
## 4 Install Lock Block

Thread the M8 X 30mm Set Screw into the Lock Block. Slip the Lock Block over the front edge of the tab that points down behind the rear tire. Tighten the screw.



## 5 Install Side Bracket

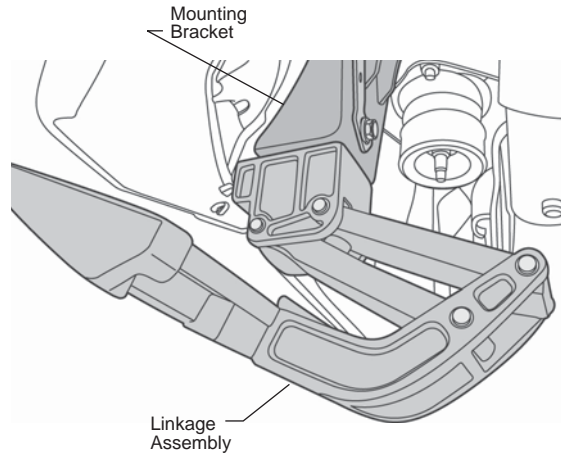
Slide one end of the Side Bracket assembly over the set screw and hold in place with a M8 Washer and M8 Nylock Nut. Leave the nut loose. Attach the other end of the Side Bracket Assembly to the back side of the Mounting Bracket with the M8-1.25 X 20mm Hex Head Screw and M8 Washer. Tighten the fasteners on both ends of the Side Bracket Assembly securely.



## TrekStep Side-Mount™ – Installation Instructions

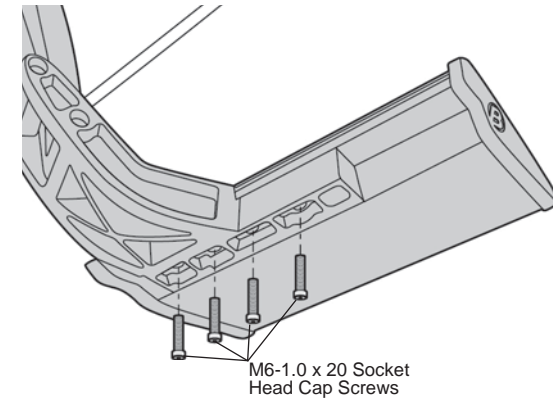
### 6 Install Linkage

Attach the Linkage Assembly to the bottom of the Mounting Bracket with the two (2) M10-1.5 X 45mm Hex Head Screws and M10 Lock Washers.



### 7 Install Step

Use the M6-1.0 x 20 Socket Head Cap Screws to mount the Step to the Linkage Assembly.

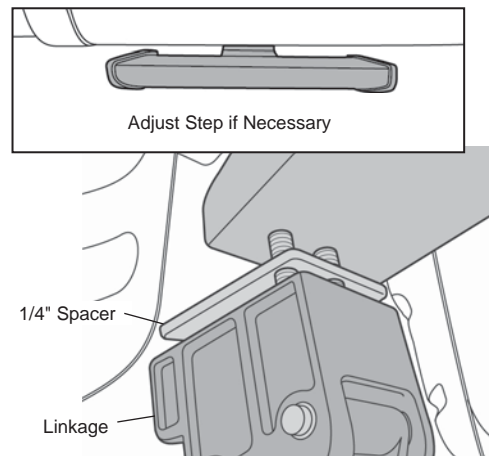


### 8 Step Adjustment

Once the Step is installed on the vehicle, you may adjust it as desired.

If necessary to adjust the height, use the two (2) 1/4" Spacers provided. Remove the M10-15 x 45mm Hex Bolts installed in Step 4 and place the 1/4" Spacers between the Frame Mount and the Linkage. Reinstall the Hex Bolts.

When the Step is in the desired position tighten all nuts.



## TrekStep Side-Mount™ – Installation Instructions

---

### Operation

- The TrekStep™ is foot operated and deploys and retracts with a nudge of your foot.
- To deploy, press down using your foot, on the forward outside corner of the step pad.
- To retract, gently kick the underside of the step pad.
- Max Load Capacity: 400 lbs.
- Always use appropriate hand holds when stepping up to or down from your truck's cargo bed.

### Care and Maintenance

The step pad surface and linkage arms should be washed with mild soap and water using a soft brush or sponge to dislodge any mud, dirt or accumulated road grime. Rinse with fresh water. After it is dry, lubricate the hinge with 3-IN-ONE Oil.

To prevent slipping, avoid applying waxes, lubricants or protectants like Armor All® to the step surface.

### Attention!

TrekStep™ SHOULD ALWAYS BE STOWED IN THE RETRACTED POSITION WHEN DRIVING.

---

## LIMITED WARRANTY

We warrant our product to be free from defects in material and workmanship, for the terms specified below, provided there has been normal use and proper maintenance. This warranty applies to the original purchaser only. All remedies under this warranty are limited to the repair or replacement of any item or items found by the factory to be defective within the time period specified. If you have a warranty claim, first you must call our factory at the number below for instructions. You must retain proof of purchase and submit a copy with any items returned for warranty work. Upon completion of warranty work, if any, we will return the repaired or replaced item or items to you freight prepaid. Damage to our products caused by accidents, fire, vandalism, negligence, misinstallation, misuse, Acts of God, or by defective parts not manufactured by us, is not covered under this warranty.

THE WARRANTY TIME PERIOD IS AS FOLLOWS FOR ALL TrekSteps™ MANUFACTURED BY OUR COMPANY: THREE YEARS / 36,000 MILES FROM DATE OF PURCHASE.

ANY IMPLIED WARRANTIES OF MERCHANTABILITY AND/OR FITNESS FOR A PARTICULAR PURPOSE CREATED HEREBY ARE LIMITED IN DURATION TO THE SAME DURATION AND SCOPE AS THE EXPRESS WRITTEN WARRANTY. OUR COMPANY SHALL NOT BE LIABLE FOR ANY INCIDENTAL OR CONSEQUENTIAL DAMAGE.

Some states do not allow limitations on how long an implied warranty lasts, or the exclusion or limitation of incidental or consequential damages, so the above limitations or exclusions may not apply to you. This warranty gives you specific legal rights, and you may also have other rights which vary from state to state.



For further information or request for warranty work, please contact:  
Bestop Inc. Customer Service  
Toll-Free: (800)845-3567  
Main: (303)465-1755  
E-mail: [csbestop@Bestop.com](mailto:csbestop@Bestop.com)  
Website: [www.Bestop.com](http://www.Bestop.com)