



Installation Instructions TrekStep Side-Mount™

Vehicle Application

•Dodge 1500 Driver Side

Fits 6.4' and 8' Beds
2002 – 2008
Part Number: 75407-15

•Dodge 3500 Driver Side

Fits 6.4' and 8' Beds
2002 – 2013
Part Number: 75407-15

•Dodge 2500/3500 Driver Side

Fits 6.4' and 8' Beds
2002 – 2013
Part Number: 75408-15

www.bestop.com - We're here to help! Visit our web site and click on "[Ask a Question](#)". Click here for more [Truck Accessories by Bestop](#).

INSTALLATION TIME	SKILL LEVEL			
 1/2 Hour	 1 - Easy			
TOOLS				
 Ratchet	 Extension	 Socket 18 mm, 13 mm, 3/8"	 Allen Wrench 8 mm, 3/16"	 Wrench 13 mm
 Safety Glasses				



! WARNING Do not rely in any way on the components of this product to protect against injury or death in the event of an accident. Never operate the vehicle in excess of manufacturer's specifications.

WEAR SEAT BELTS AT ALL TIMES

Read and follow, precisely, all installation instructions provided when installing product. Failure to do so may result in a poor fit and could place occupants of the vehicle in a potentially dangerous situation.

TrekStep Side-Mount™ – Installation Instructions

Parts List and Hardware Identification

1/4" Spacer, Part Number 487.64, Qty - 2

Running Board Assembly, Part Number 514.10, Qty - 1

Cross Bar Mount - Right, Part Number 487.12, Qty - 1

M8 Flat Washer, Part Number 484.93, Qty - 1

M10-1.5 Nylock Nut, Part Number 484.92, Qty - 5

M10-1.5 x 45mm Hex Head Screw, Part Number 485.38, Qty - 2

M10 Flat Washer, Part Number 473.20, Qty - 1

M10 Split Lock Washer, Part Number 481.59, Qty - 3

M10-1.5 x 75mm Hex Bolt, Part Number 488.02, Qty - 1

M8 x 30mm Set Screw, Part Number 489.21, Qty - 1

M8-1.25 x 20mm Hex Head Screw, Part Number 460.96, Qty - 3

M10-1.5 x 30mm Hex Bolt, Part Number 484.94, Qty - 4

M12 Flat Washer, Part Number 482.13, Qty - 1

M6-1.0 x 20 Socket Cap Screw, Part Number 470.00, Qty - 4

M12-1.75 x 30mm Hex Bolt, Part Number 490.84, Qty - 1

Linkage Assembly, Part Number 484.89, Qty - 1

Locking Block, Part Number 489.23, Qty - 1

M8-1.25 U-Nut, Part Number 460.98, Qty - 1

Top Bracket, Part Number 490.80, Qty - 1

M10-1.5 Hex Nut, Part Number 487.68, Qty - 2

M8-1.25 Nylock Nut, Part Number 470.06, Qty - 3

Large Side Mount, Part Number 485.61, Qty - 2

Frame Mount Foot, Part Number 490.78, Qty - 1

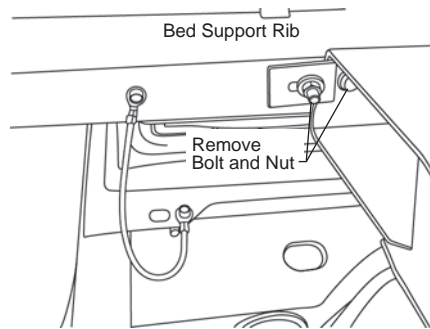
Frame Mount-Driver, Part Number 490.79, Qty - 1

TrekStep Side-Mount™ – Installation Instructions

1 Locate Bed Support Rib

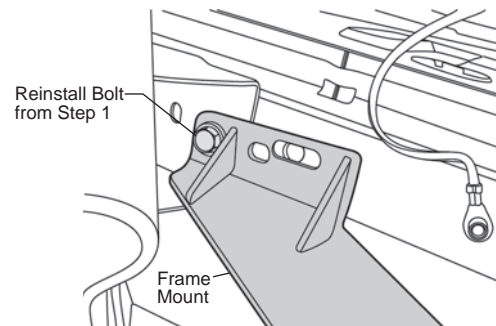
Locate the bed support rib closest to the cab under the truck bed. Remove the frame to bed bolt.

NOTE Some models have an extra nut installed. Remove the nut and plate.



2 Install Frame Mount

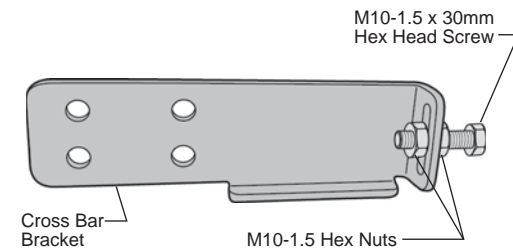
Align the rear hole in the Frame Mount with the threaded hole where the frame bolt was removed. Reinstall the frame mount bolt.



3 Assemble Cross Bar Mount

Thread an M10-1.5 Hex Nut onto an M10-1.5 x 45mm Hex Head Screw. Then thread the screw through the slot on the Cross Bar Mount and install another M10-1.5 Nylock Nut. Leave the Nuts loose to be adjusted later.

NOTE If Cross Bar Mount or Cross Bar Bracket will be installed in Step 3, skip to Step 12.

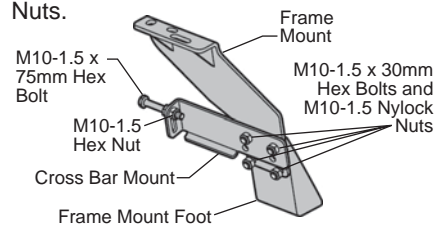


4 Secure Frame Mount Foot to Frame Mount

Use four (4) M10 x 1.5 x 30mm Hex Bolts and four (4) M10-1.5 Nylock Nuts to attach the Frame Mount Foot to the Frame Mount as shown for your vehicle.

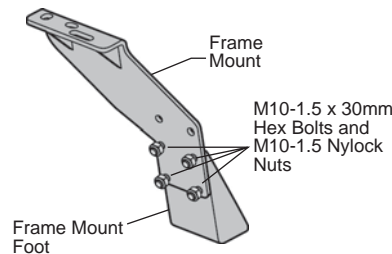
2011 – Current 2500 / 3500 6.4' Bed

Install the M10-1.5 x 75mm Hex Bolt on the Cross Bar Mount with an M10-1.5 Hex Nut. Use the bottom four (4) holes on the Frame Mount to assemble Cross Bar Mount and Frame Mount Foot to the Frame Mount with four (4) M10-1.5 x 30mm Hex Bolts and M10-1.5 Nylock Nuts.



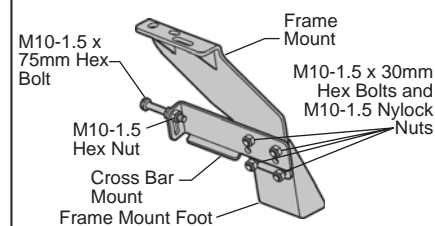
2011 – Current 2500 / 3500 8' Bed

Use the bottom four (4) holes on the Frame Mount to secure the Frame Mount Foot to the Frame Mount with four (4) M10-1.5 x 30mm Hex Bolts and M10-1.5 Nylock Nuts.



2002 – 2008 1500 6.4' Bed

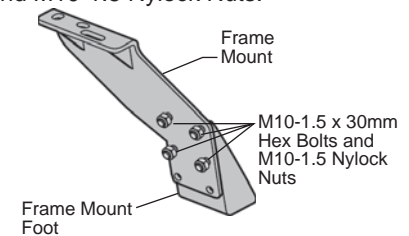
Use the top four (4) holes on the Frame Mount to assemble the Cross Bar Mount and Frame Mount Foot to the Frame Mount with four (4) M10-1.5 x 30mm Hex Bolts and M10-1.5 Nylock Nuts.



2002 1500 6.4' Long Bed

2002 – 2010 2500 / 3500 6.4' and 8' Bed

Use the top four (4) holes on the Frame Mount to secure the Frame Mount Foot to the Frame Mount with four (4) M10-1.5 x 30mm Hex Bolts and M10-1.5 Nylock Nuts.



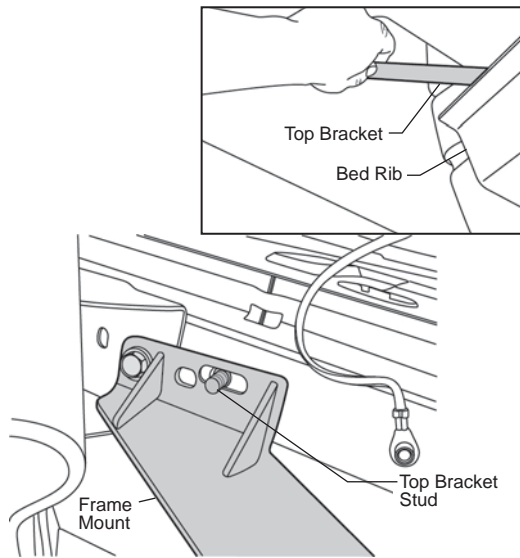
TrekStep Side-Mount™ – Installation Instructions

**All Models
Except 2011 – Current Driver's Side**

5 Install Top Bracket

Insert the Top Bracket into the end of the bed rib.

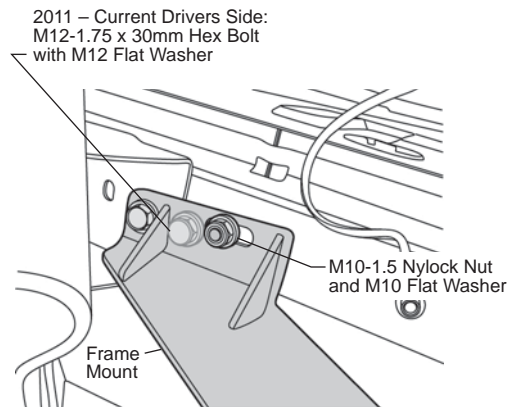
NOTE If there was a nut and plate that was removed in Step 1, you will not need to install a Top Bracket.



6 Secure Frame Mount to Bed

Use an M10-1.5 Nylock Nut and an M10 Flat Washer to secure the Frame Mount to the Top Bracket.

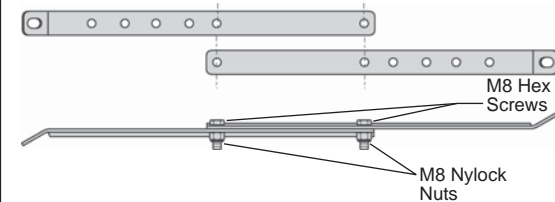
NOTE 2011 – Current Drivers Side: Install an M12-1.75 x 30mm Hex Bolt with an M12 Flat Washer into the tapped hole in the rib.



**All Models
Except 2002 – 2008 1500 6.4' Bed**

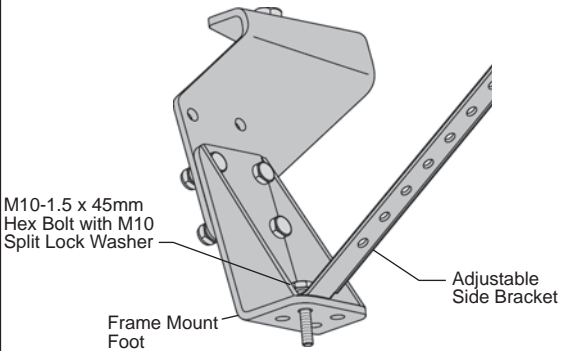
7 Assemble Adjustable Side Brackets

Line up the holes of the two (2) Adjustable Side Brackets as shown. Secure them with two (2) M8-1.25 x 20mm Hex Head Screws and M8-1.25 Nylock Nuts. Leave the nuts loose to adjust as necessary to fit your vehicle.



8 Secure Adjustable Side Bracket to the Frame Mount Foot

Thread an M10-1.5 x 45mm Hex Bolt with an M10 Split Lock Washer through the Adjustable Side Bracket and the outside hole on the Frame Mount Foot.



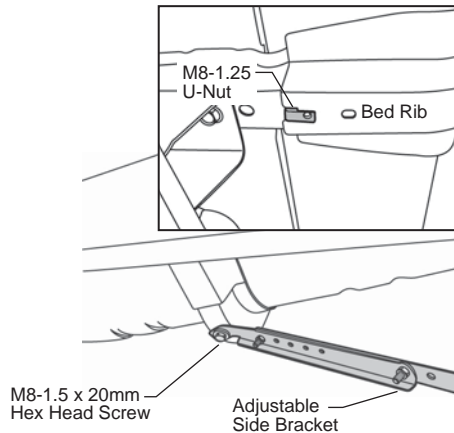
TrekStep Side-Mount™ – Installation Instructions

Beds without Open Rib

9 Secure Side Bracket to Rib

Install an M8-1.25 U-Nut into the hole in the rib. Use an M8-1.25 x 20mm Hex Head Screw and an M8 Flat Washer to secure the Side Bracket to the U-Nut.

NOTE If there is no hole present in rib, skip to Step 10.



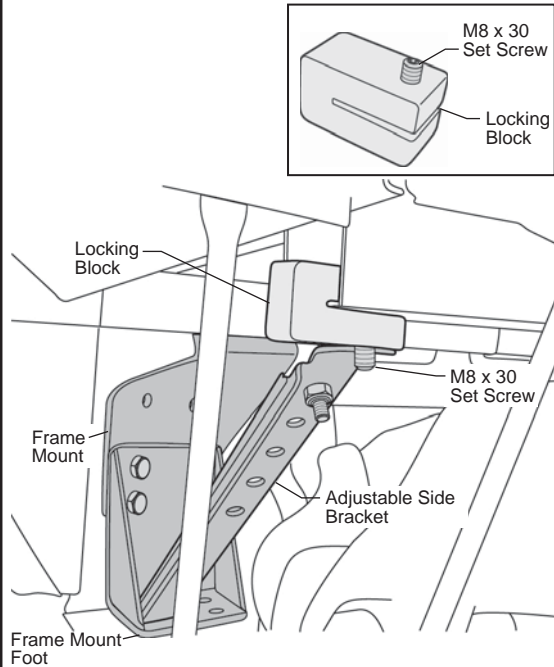
Beds with Open Rib

10 Install Locking Block

Thread the M8 x 30 Set Screw into the hole in the Locking Block.

Slip the Locking Block over the end of the support rib that is above the rear tire. Tighten the Set Screw.

NOTE Locking Block is only installed on beds with open ribs.

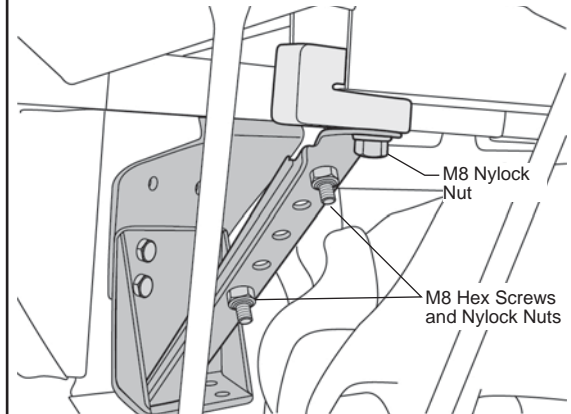


Beds with Open Rib

11 Secure Side Bracket to Locking Block

Adjust the Side Bracket so it fits over the end of the M8 x 30mm Set Screw. Use an M8 Lock Nut to secure the bracket to the Set Screw and tighten.

Tighten the two (2) M8-1.25 x 20mm Hex Head Screws and M8-1.25 Nylock Nuts on the Adjustable Side Bracket.



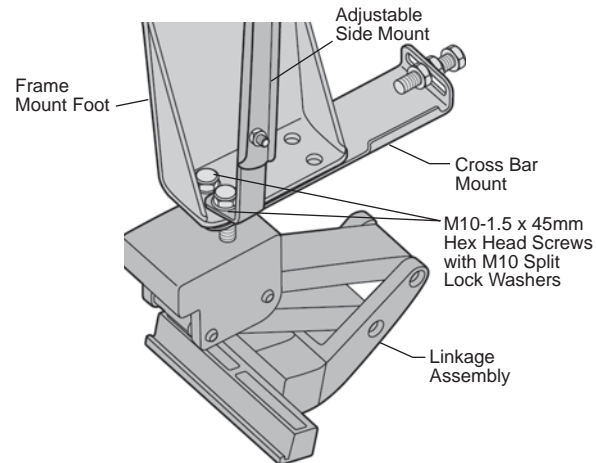
TrekStep Side-Mount™ – Installation Instructions

If Cross Bar Was Not Installed in Step 4

12 Install Cross Bar and Linkage

Place the Cross Bar Mount under the Frame Mount Foot. Thread one M10-1.5 x 45mm Hex Head Screw with an M10 Split Lock Washer through both brackets into the Linkage. Thread the other M10-1.5 x 45mm Hex Head Screw with M10 Split Lock Washer through the Cross Bar Mount and both brackets into the Linkage.

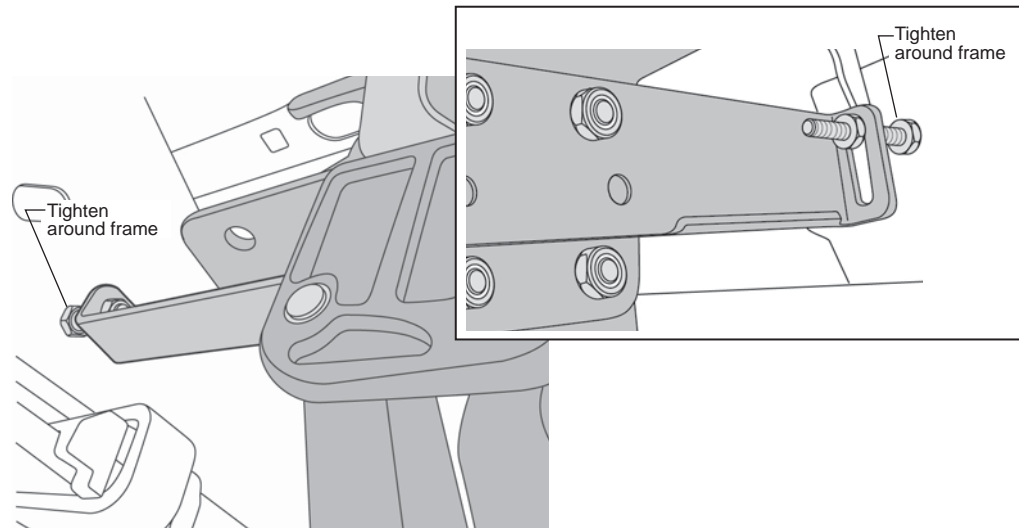
NOTE Make sure to mount the Linkage Assembly to the holes toward the outside of the Frame Mount Foot.



13 Secure Cross Bar

Adjust the screw on the Cross Bar until the frame is sandwiched between the nuts. Tighten the screw against the frame and tighten both nuts against the Cross Bar.

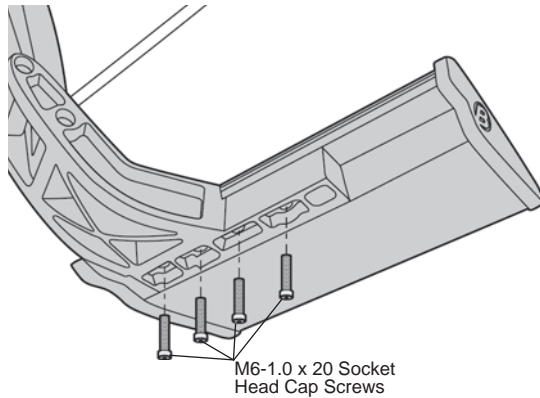
Once the screw is tight against the frame, loosen the nuts and rotate the screw another 1/4" for correct pressure on the mount.



TrekStep Side-Mount™ – Installation Instructions

14 Install Step

Use the M6-1.0 x 20 Socket Head Cap Screws to mount the Step to the Linkage Assembly.



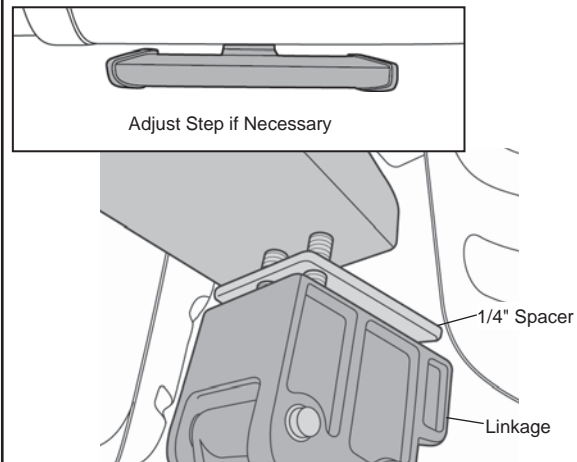
15 Step Adjustment

Once the Step is installed on the vehicle, you may adjust it as desired.

If necessary to adjust the height, use the two (2) 1/4" Spacers provided. Remove the M10-1.5 x 45mm Hex Bolts installed in Step 4 and place the 1/4" Spacers between the Frame Mount and the Linkage. Reinstall the Hex Bolts.

When the Step is in the desired position tighten all nuts.

NOTE Make sure that the Step is level with the vehicle body when it is in the up position. If it is not level, you may need to adjust the Side Mount (Step 7) by selecting the holes that level the Step.



TrekStep Side-Mount™ – Installation Instructions

Operation

- The TrekStep™ is foot operated and deploys and retracts with a nudge of your foot.
- To deploy, press down using your foot, on the forward outside corner of the step pad.
- To retract, gently kick the underside of the step pad.
- Max Load Capacity: 400 lbs.
- Always use appropriate hand holds when stepping up to or down from your truck's cargo bed.

Care and Maintenance

The step pad surface and linkage arms should be washed with mild soap and water using a soft brush or sponge to dislodge any mud, dirt or accumulated road grime. Rinse with fresh water. After it is dry, lubricate the hinge with 3-IN-ONE Oil.

To prevent slipping, avoid applying waxes, lubricants or protectants like Armor All® to the step surface.

Attention!

TrekStep™ SHOULD ALWAYS BE STOWED IN THE RETRACTED POSITION WHEN DRIVING.

LIMITED WARRANTY

We warrant our product to be free from defects in material and workmanship, for the terms specified below, provided there has been normal use and proper maintenance. This warranty applies to the original purchaser only. All remedies under this warranty are limited to the repair or replacement of any item or items found by the factory to be defective within the time period specified. If you have a warranty claim, first you must call our factory at the number below for instructions. You must retain proof of purchase and submit a copy with any items returned for warranty work. Upon completion of warranty work, if any, we will return the repaired or replaced item or items to you freight prepaid. Damage to our products caused by accidents, fire, vandalism, negligence, misinstallation, misuse, Acts of God, or by defective parts not manufactured by us, is not covered under this warranty.

THE WARRANTY TIME PERIOD IS AS FOLLOWS FOR ALL TrekSteps™ MANUFACTURED BY OUR COMPANY: THREE YEARS / 36,000 MILES FROM DATE OF PURCHASE.

ANY IMPLIED WARRANTIES OF MERCHANTABILITY AND/OR FITNESS FOR A PARTICULAR PURPOSE CREATED HEREBY ARE LIMITED IN DURATION TO THE SAME DURATION AND SCOPE AS THE EXPRESS WRITTEN WARRANTY. OUR COMPANY SHALL NOT BE LIABLE FOR ANY INCIDENTAL OR CONSEQUENTIAL DAMAGE.

Some states do not allow limitations on how long an implied warranty lasts, or the exclusion or limitation of incidental or consequential damages, so the above limitations or exclusions may not apply to you. This warranty gives you specific legal rights, and you may also have other rights which vary from state to state.



For further information or request for warranty work, please contact:
Bestop Inc. Customer Service
Toll-Free: (800)845-3567
Main: (303)465-1755
E-mail: csbestop@Bestop.com
Website: www.Bestop.com