



Installation Instructions Highrock Granite Rock Rails

Vehicle Application:
Jeep® JT Gladiator 2020- Current
Part Number 44972

Installation Tips

Before you begin installing your new Highrock Granite Rock Rails please read all the instructions thoroughly.


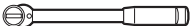


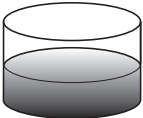


WARNING The manufacturer strongly recommends that this product be professionally installed.

WARNING This product is designed primarily to enhance the appearance and comfort of the vehicle. Do not rely in any way on the components of this product to protect the occupants within the vehicle, or to protect against injury or death in the event of an accident. Never operate the vehicle in excess of manufacturer's specifications.

CAUTION Safety glasses should be worn at all times when installing this product.

WEAR SEAT BELTS AT ALL TIMES



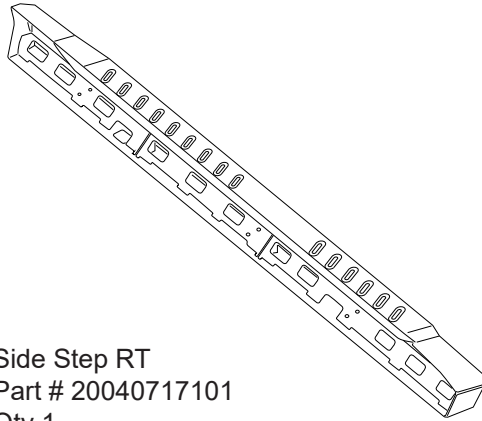
Tools			Installation Time	Support
 Safety Glasses	 Socket Wrench	 13mm, 16mm and 18mm Sockets	1 00 1 Hour	We're here to help! Go to: https://www.bestop.com and click on Need Help?  https://www.bestop.com/video-library
 50/50 Solution Alcohol/Water	 Soft Cloth		Skill Level  3 - Moderately Difficult	



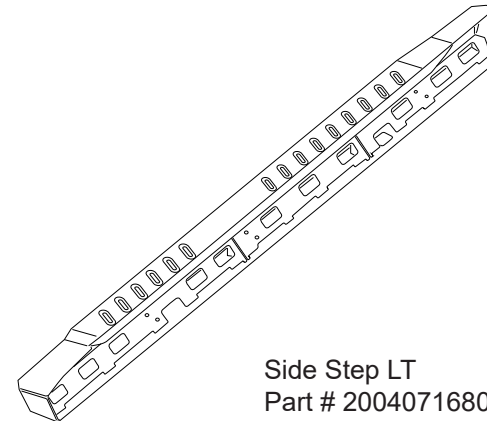
Installation Instructions Highrock Granite Rock Rails

Vehicle Application:
Jeep® JT Gladiator 2020- Current
Part Number 44972

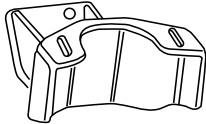
Parts List



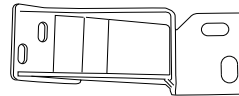
Side Step RT
Part # 20040717101
Qty 1



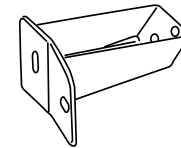
Side Step LT
Part # 20040716801
Qty 1



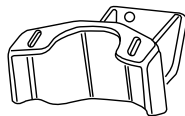
Center Mounting Bracket RT
Part # 20040603401
Qty 1



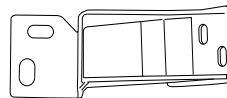
Front Mounting Bracket LT
Part # 20040603301
Qty 1



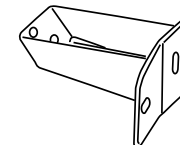
Rear Mounting Bracket RT
Part # 20040726301
Qty 1



Center Mounting Bracket LT
Part # 20040603501
Qty 1



Front Mounting Bracket RT
Part # 20040603401
Qty 1



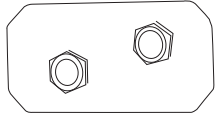
Rear Mounting Bracket LT
Part # 20040726001
Qty 1



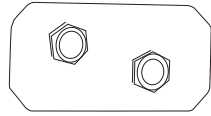
Installation Instructions Highrock Granite Rock Rails

Vehicle Application:
Jeep® JT Gladiator 2020- Current
Part Number 44972

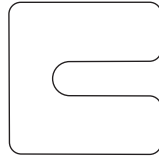
Parts List



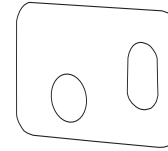
LH Nut Plate
Part # 20029559701
Qty 1



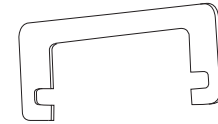
RH Nut Plate
Part # 20029611301
Qty 1



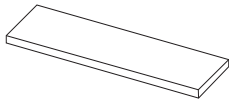
Rear Bracket Spacer
Part # 20041672401
Qty 8



Spacer
Part # 20026777101
Qty 2



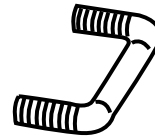
Light Bracket
Part # 20040690801
Qty 4



Small Foam Tape
Part # 20040734701
Qty 2



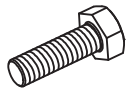
Large Foam Tape
Part # 4003370
Qty 2



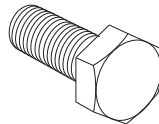
“U” Bolt
Part # 20035318802
Qty 2



Nut Plate
Part # 20029560001
Qty 2



Hex Bolt 8mm x 25mm
Part # 3005599
Qty 12



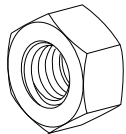
Hex Bolt 12mm x 35mm
Part # 3006097
Qty 6



8mm Split Washer
Part # 3000145
Qty 12



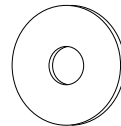
8mm Flat Washer
Part # 3006464
Qty 12



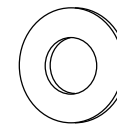
12mm Hex Nut
Part # 3006238
Qty 4



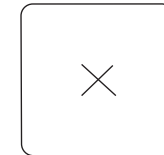
12mm Split Washer
Part # 3005586
Qty 4



12mm Flat Washer
Part # 3005577
Qty 4

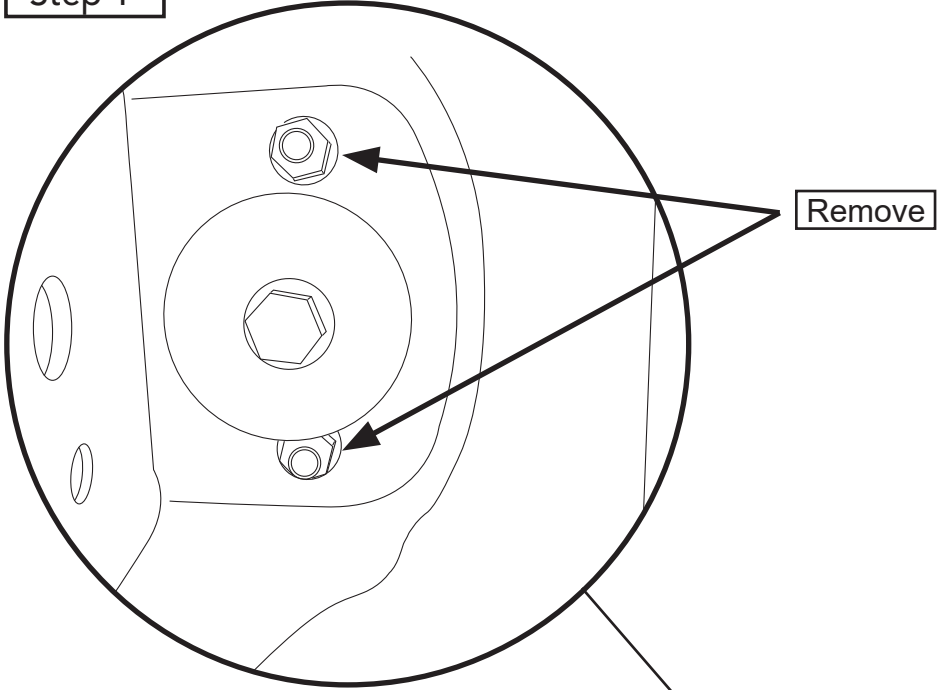


12mm Flat Washer
Part # 3006240
Qty 6

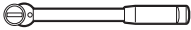


Rubber Spacer
Part #20041673901
Qty 4

Step 1



Tools



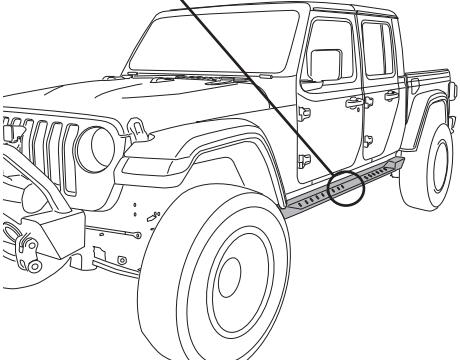
Socket Wrench

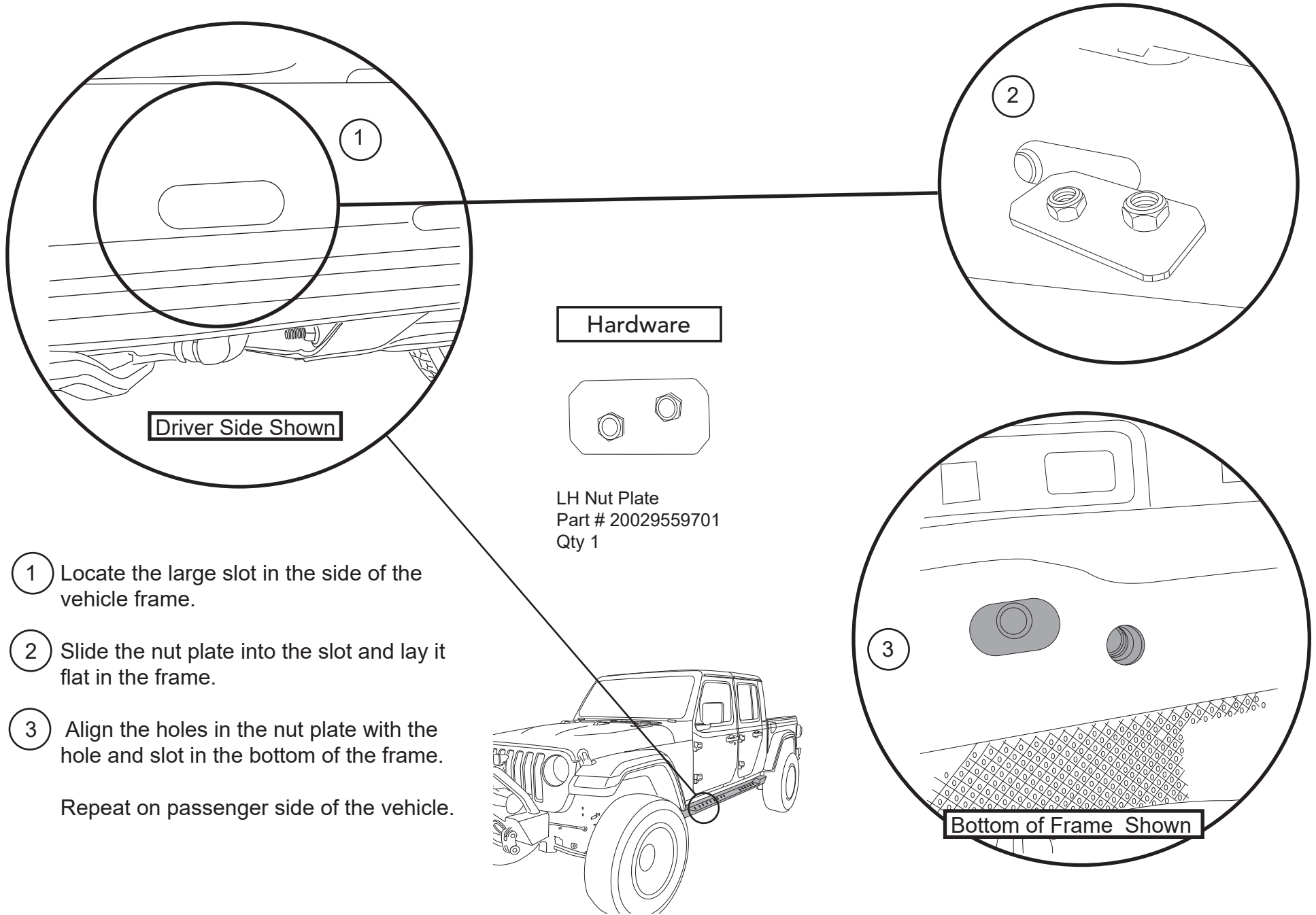


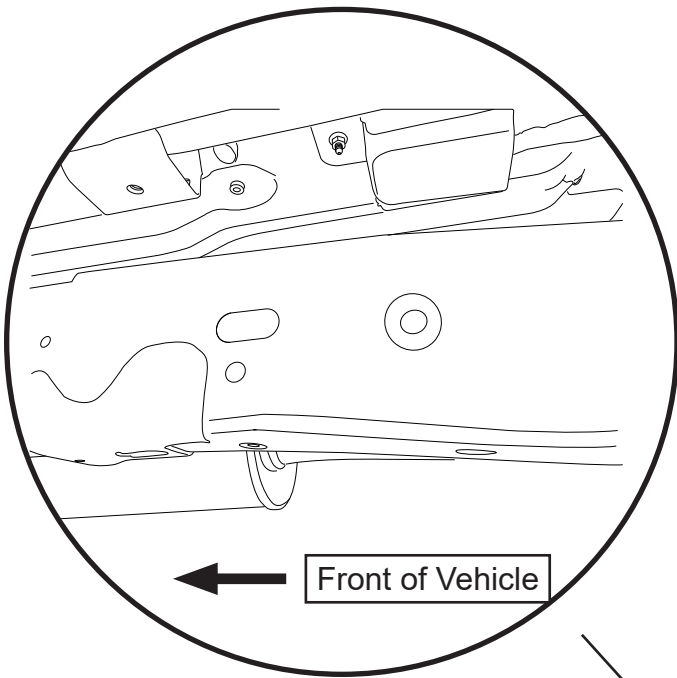
16mm Socket

Step 1

Using a 16 mm socket, Remove the two (2) nuts. One (1) from each side of the rubber isolator. Retain these nuts, They will be used to install the Center Brackets. Do this on both sides of the vehicle.



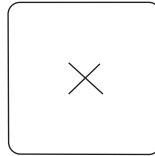




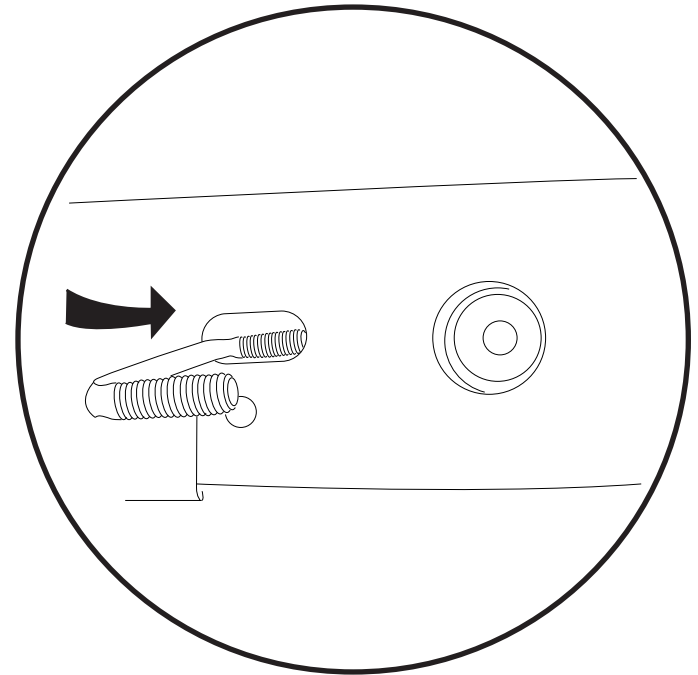
Hardware



“U” Bolt
Part # 20035318802
Qty 1



Rubber Spacer
Part #20041673901
Qty 2

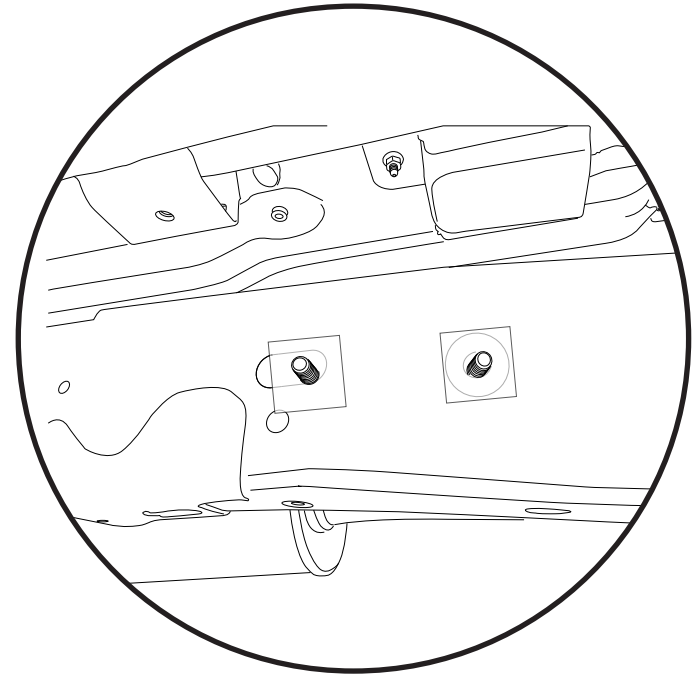
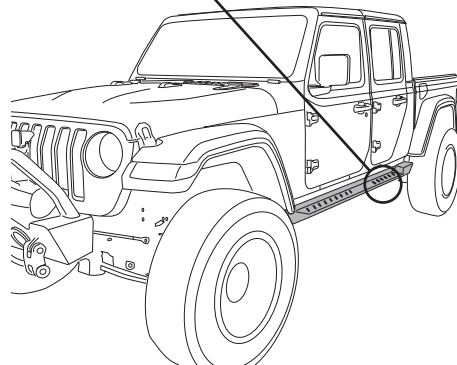


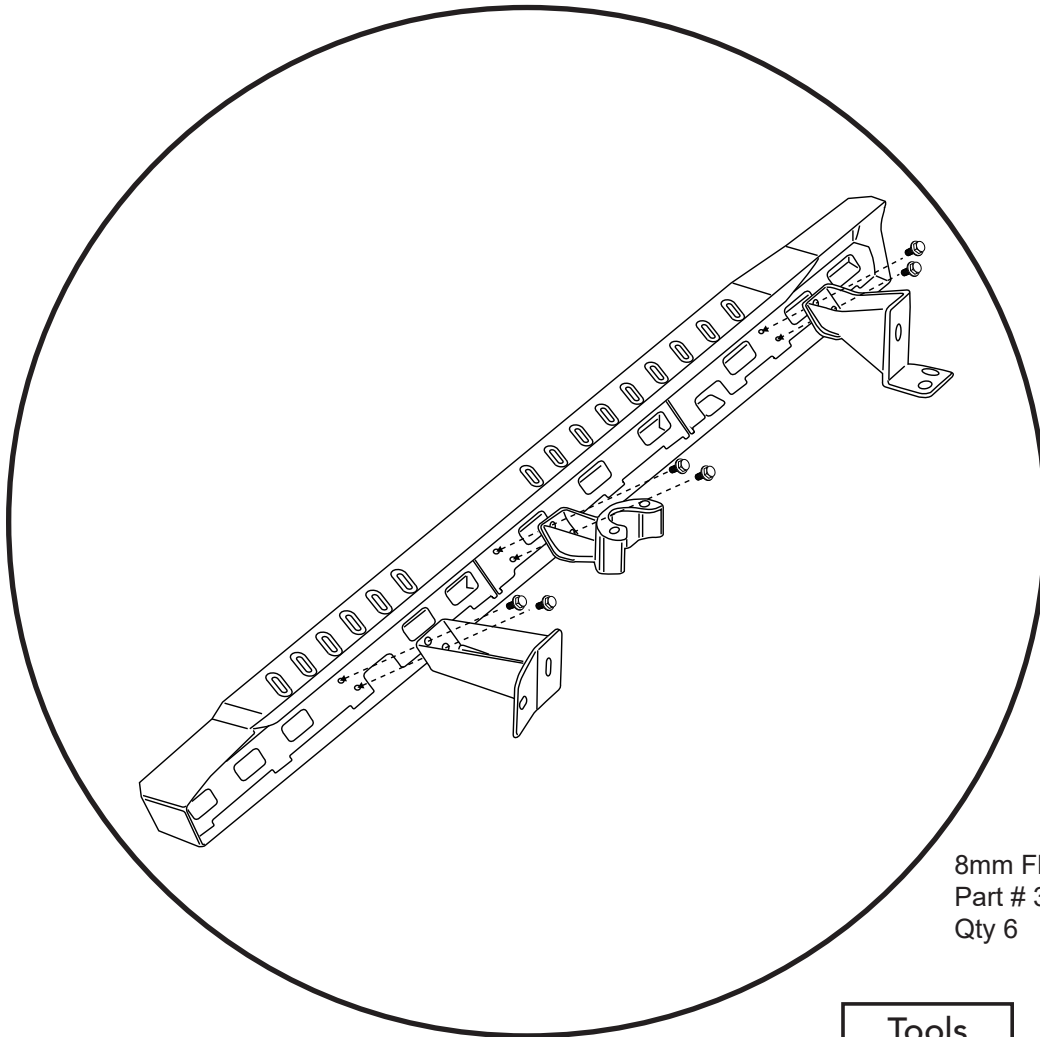
Locate the slot in the frame with the hole right behind it. (Located in front of the rear tire)

Feed the U Bolt through the slot and set one end into the hole to the rear of the slot and leave the other end of the U Bolt sticking out of the slot.

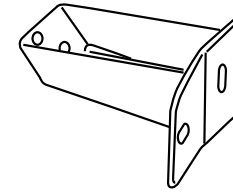
To prevent the U Bolt from falling into the frame, Place the Foam Pads over the threads.

Repeat on passenger side of the vehicle.

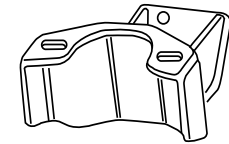




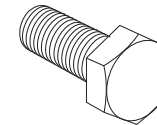
Hardware



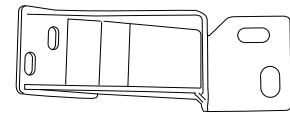
Rear Mounting
Bracket LT
Part # 20040726001
Qty 1



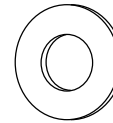
Center Mounting
Bracket LT
Part # 20040603501
Qty 1



Hex Bolt 8mm x 25mm
Part # 3006212
Qty 6



Front Mounting
Bracket LT
Part # 2004603301
Qty 1

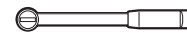


8mm Flat Washer
Part # 3006464
Qty 6



8mm Split Washer
Part # 3000145
Qty 6

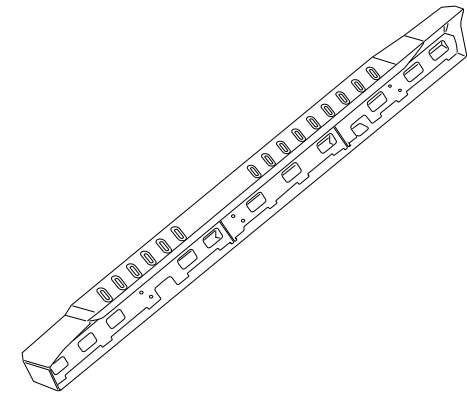
Tools



Socket
Wrench



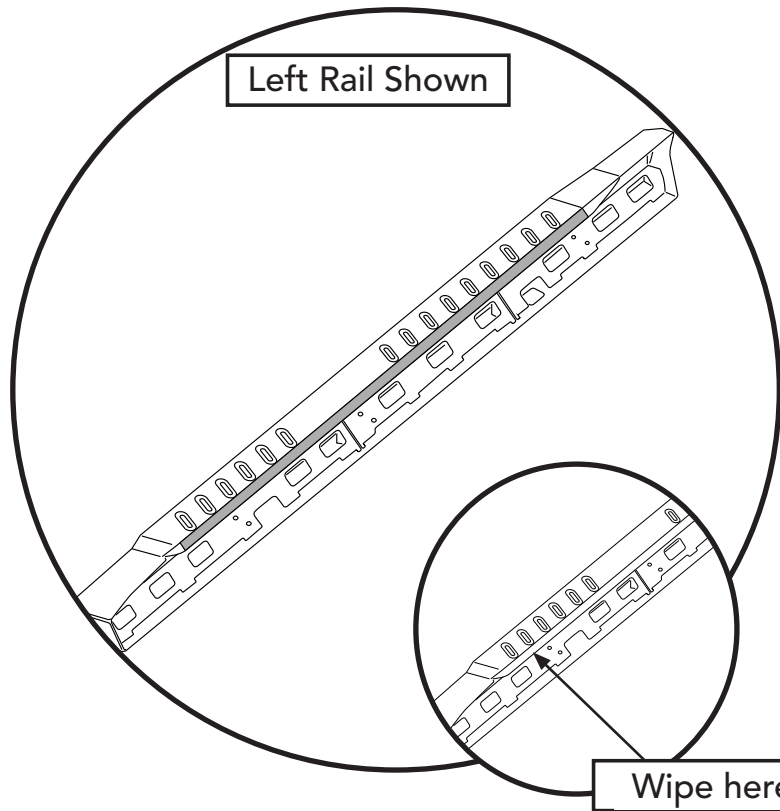
13mm Socket



Side Step LT
Part # 20040716801
Qty 1

Attach the Rear Mounting Bracket, Center Mounting Bracket and the Front Mounting Bracket to the Side Step using two (2) 8mm x 25mm Combo Bolts per bracket.

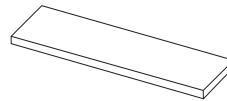
Repeat this step on the Right side Rail.



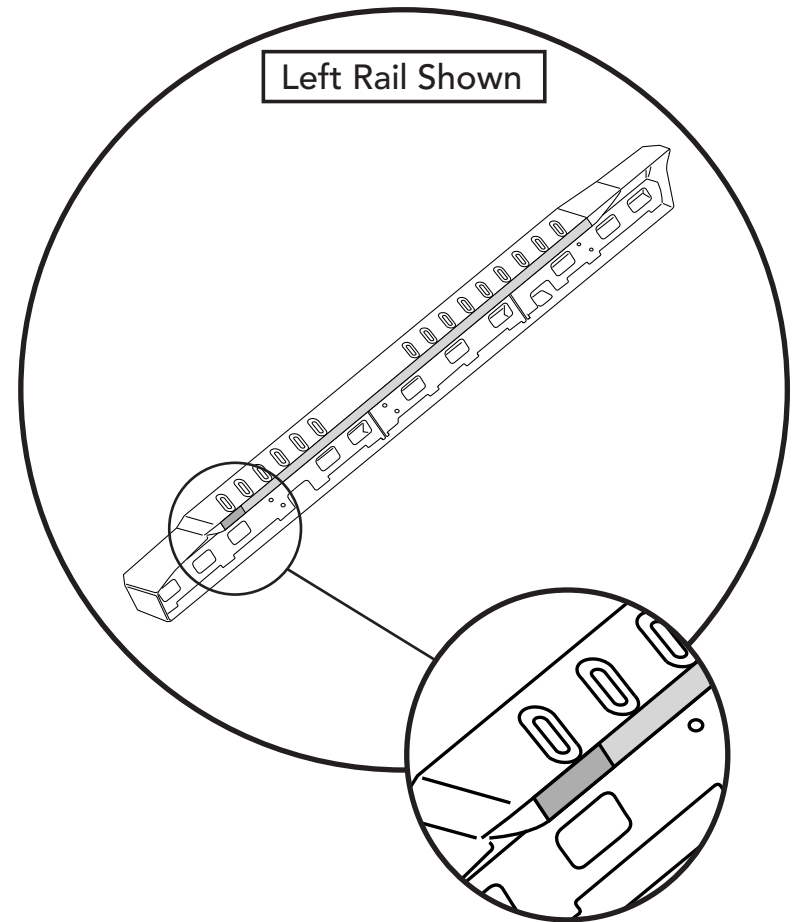
Hardware



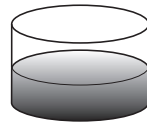
Large Foam Tape
Part # 4003370
Qty 2



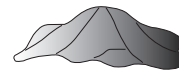
Small Foam Tape
Part # 20040734701
Qty 2



Tools



50/50 Solution
Alcohol/Water



Soft Cloth

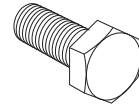
Wipe the Rail with the alcohol/water solution and soft cloth.

Peel the backing off of the Large Foam Tape then apply it to the inside edge of the Side Rail.

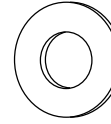
Peel the backing off of the Small Foam Tape then apply it to the rear edge of the Large Foam Tape.

Repeat these steps on the Right Side Rail.

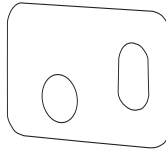
Hardware



Hex Bolt 12mm x 35mm
Part # 3006097
Qty 2

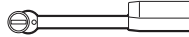


12mm Flat Washer
Part # 3006240
Qty 2



Spacer
Part # 20026777101
Qty 1

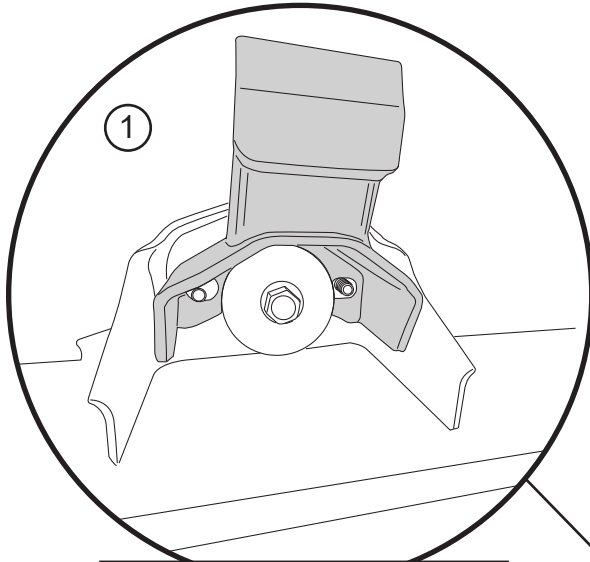
Tools



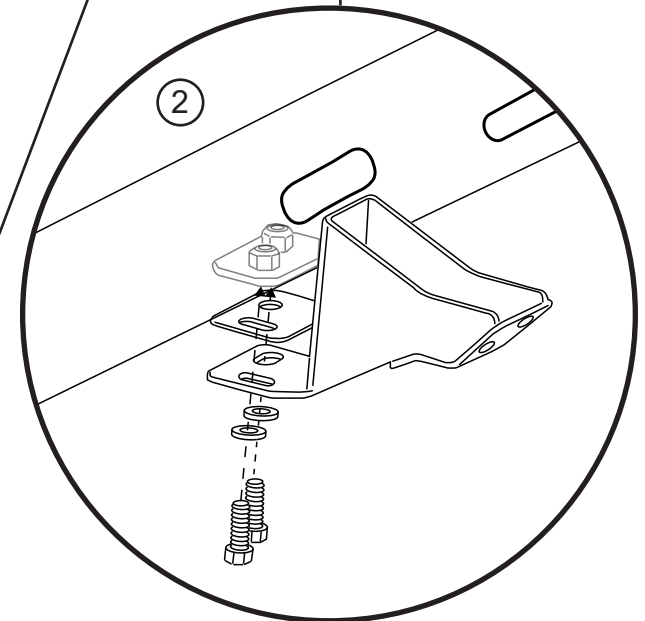
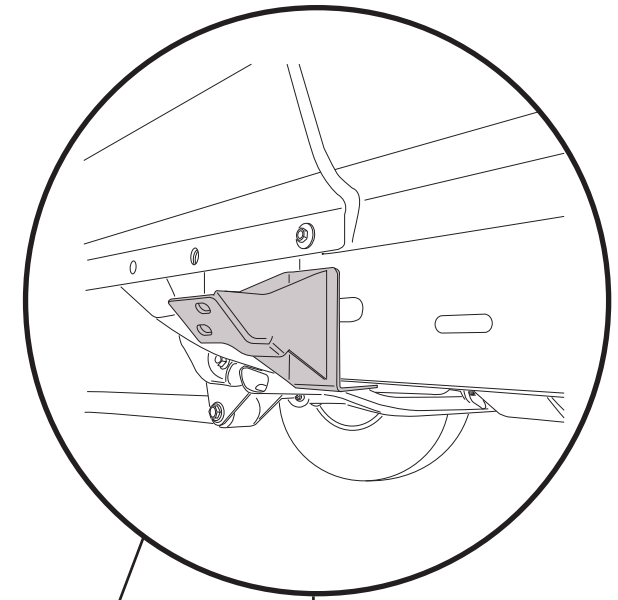
Socket
Wrench



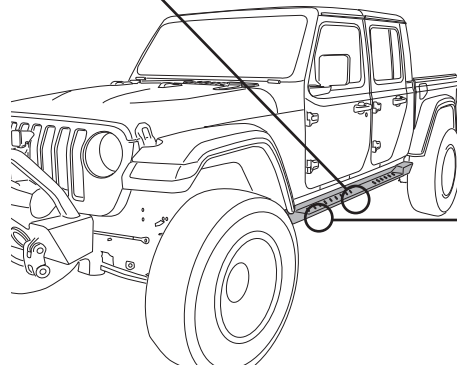
16mm and 18mm
Socket

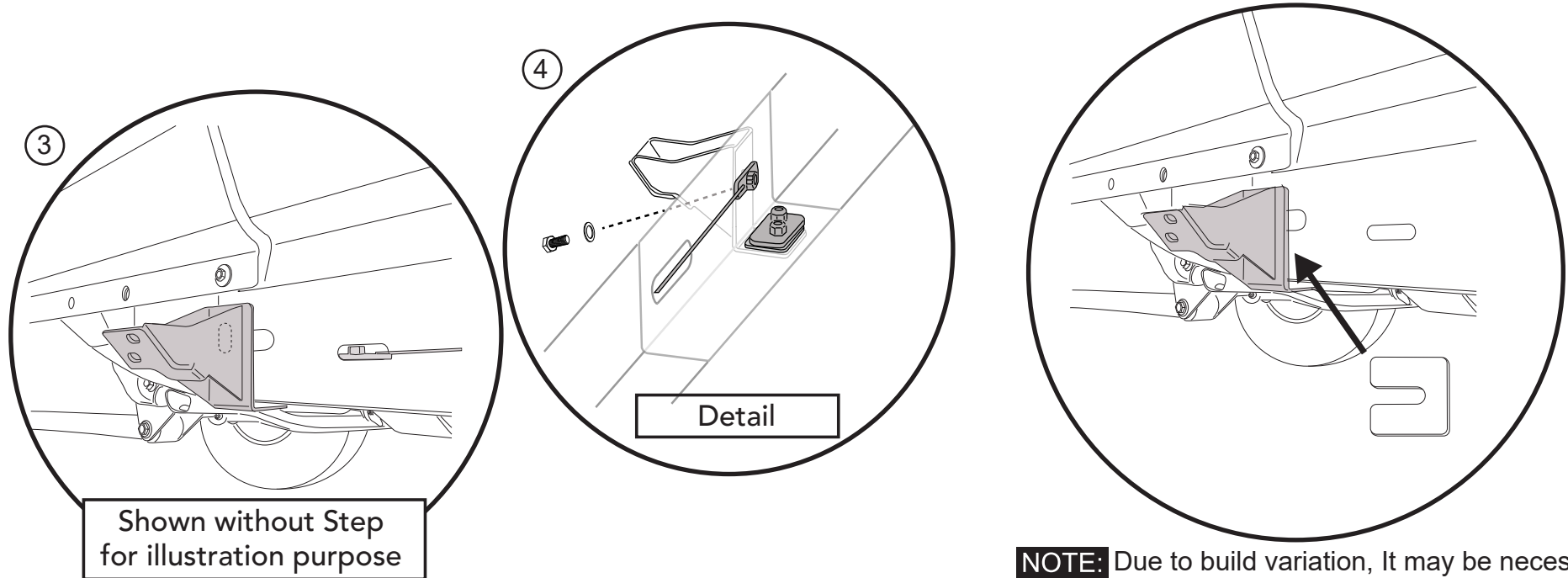


Shown without Step
for illustration purpose



- ① With Help, Lift the Side Step onto the vehicle aligning the Center Mounting Bracket to the studs located on the Body Mounts Bolt.. Loosely replace the Nuts that were removed in Section 1.
- ② Place the Spacer between the frame and the Front Mounting Bracket then install Two (2) 12mm x 35mm Bolts and Two (2) 12mm Washers into the nut plate that was installed in Section 2.





Shown without Step for illustration purpose

- ③ Using the Smaller slot toward the rear side of the front bracket, Insert the Small Nut Plate into the slot then rotate the plate 90 degrees and move it forward to align with the hole in the Front Bracket.
- ④ Insert the 12mm x 35mm Hex Bolt through the 12mm Washer then through the Front bracket and vehicle Frame into the Small Nut Plate.

NOTE: Due to build variation, It may be necessary to place 1 or 2 Shims between the vehicle frame and the Front Bracket.

Tools



Socket Wrench

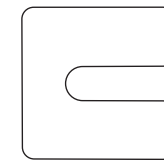


18mm Socket

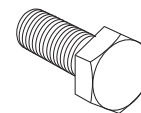
Hardware



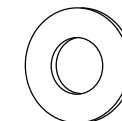
Nut Plate
Part # 20029560001
Qty 2



Rear Bracket Spacer
Part # 200416724001
Qty 8



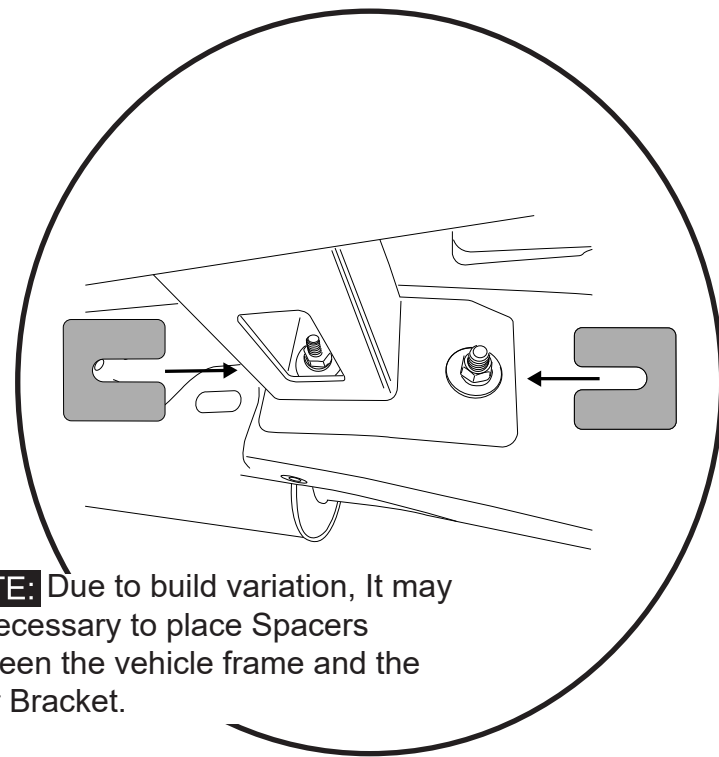
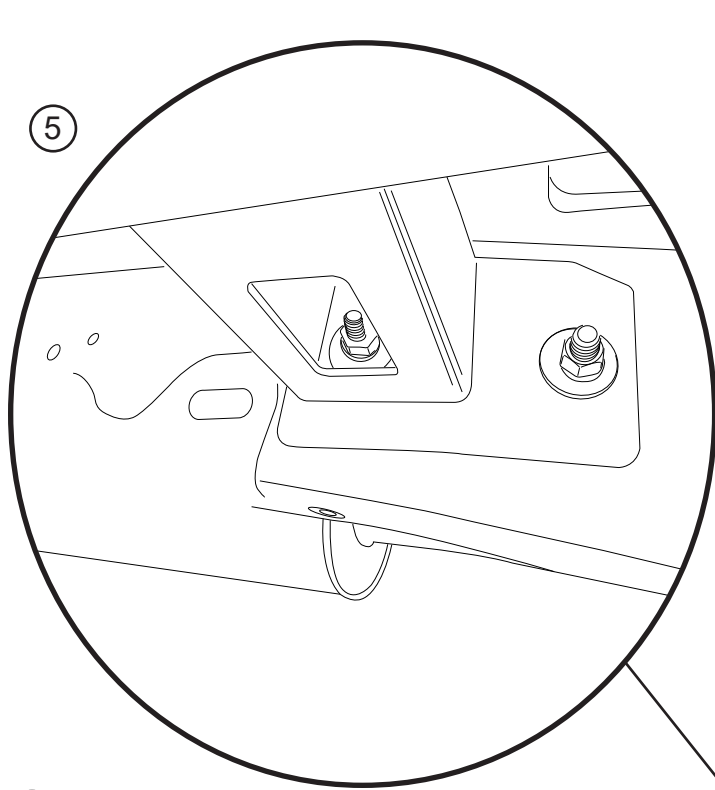
Hex Bolt 12mm x 35mm
Part # 3006097
Qty 2



12mm Flat Washer
Part # 3006240
Qty 2

Tighten the 4 nuts that hold the Center and Rear Brackets to the vehicle then tighten the 3 12mm bolts that hold the front mounting Bracket to the Vehicle.

Repeat all of these steps on the Right side of the vehicle.



NOTE: Due to build variation, It may be necessary to place Spacers between the vehicle frame and the Rear Bracket.

Tools



Socket Wrench



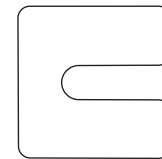
18mm Socket

5 Attach the Rear Mounting Bracket using two (2) 12mm Flat Washer, two (2) 12 mm Split washer and two (2) 12mm Hex Nuts.

Tighten all of the fasteners that hold the brackets to the frame of the vehicle.

Repeat all of these steps from Section 1 through Section 4 on the Right side of the vehicle.

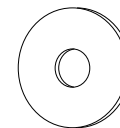
Hardware



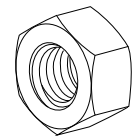
Rear Bracket Spacer
Part # 200416724001
Qty 8



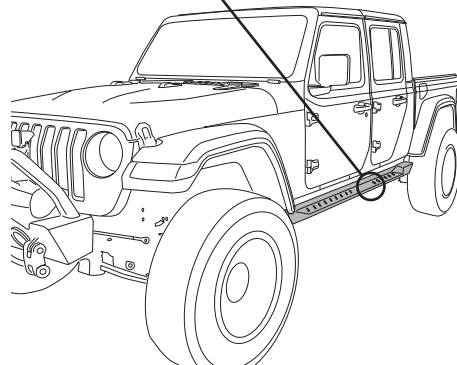
12mm Split Washer
Part # 3005586
Qty 2



12mm Flat Washer
Part # 3005577
Qty 2



12mm Hex Nut
Part # 3006238
Qty 2





Warranty Information

Vehicle Application:
Jeep® JT Gladiator 2020- Current
Part Number 44972

WHAT BESTOP WARRANTS

Subject to the terms and conditions of sale, including any terms and conditions set forth by Bestop, Inc. (“Bestop” or “us” or “we”) in our then-current terms of sale on our website (collectively, the “Terms”), Bestop represents and warrants that: the covered products listed in the “Covered Products and Warranty Periods” section (a “Product”) will substantially be free from defects in materials and workmanship for the specified warranty periods set forth in that section.

THE WARRANTY IS LIMITED AND CONDITIONAL

This warranty applies to the original purchaser of the Product only. The warranty is valid only as long as the original retail purchaser owns the vehicle upon which the Product is installed. The warranty expires should the Product be removed from the original vehicle or if the original vehicle is transferred to another owner. This warranty is not transferable or assignable. The warranty does not apply to Product bought from auction-style or price-bid websites.

THE LIMITED WARRANTY AND STATED REMEDIES ARE SOLE AND EXCLUSIVE AND IN LIEU OF ALL OTHER WARRANTIES AND REMEDIES, AND COMPANY EXPRESSLY DISCLAIMS ALL IMPLIED OR STATUTORY OR OTHER WARRANTIES, INCLUDING WITHOUT LIMITATIONS WARRANTIES OF MERCHANTABILITY, NON-INFRINGEMENT OR FITNESS FOR A PARTICULAR PURPOSE. IN NO EVENT WILL COMPANY BE LIABLE FOR ANY SPECIAL, INCIDENTAL, CONSEQUENTIAL, PUNITIVE, INDIRECT OR EXEMPLARY DAMAGES OF ANY KIND, INCLUDING LOST PROFITS OR REVENUE, HOWEVER CAUSED, WHETHER FOR BREACH OR REPUDIATION OF CONTRACT, TORT, BREACH OF WARRANTY, NEGLIGENCE, OR OTHERWISE, WHETHER OR NOT COMPANY WAS ADVISED OF THE POSSIBILITY OF SUCH LOSS OR DAMAGES. Some states do not allow exclusion or limitation, so this may not apply to you. This warranty gives you specific legal rights, and you may have other rights which vary from state to state.

EXCLUSIONS TO THE WARRANTY

The Limited Warranty excludes, and Bestop is not liable in any way for any warranty claims, damages, or defects related to:

- Misuse, abuse, accidents, vandalism, negligence, fire, or improper installation or modification, or improper or inadequate maintenance;
- Failure to comply with any Product documentation, Bestop instructions, or applicable law or regulations; use in extreme conditions
- Force Majeure including but not limited to, earthquake, hurricane, tornado, flooding, or other disasters natural or man-made, civil unrest, strikes, declared or undeclared war, or lack of performance by, or discontinued product of, supply chain partners whose products, software, operations or management is beyond the control of Bestop;
- Damage resulting in breakage (including without limitation, spontaneous breakage, accidental breakage or breakage by any other means) of a Product or any component part;
- Damage to vinyl windows due to misuse, or cracking due to varying weather conditions.

YOUR SOLE REMEDY

During the applicable warranty period, Bestop shall, at its option, either repair or replace any Product that it confirms, in its discretion, is non-compliant with the warranties herein. Bestop will not pay for labor charges associated with installation or removal of the Product. Should a specific Product be discontinued, Bestop may, at its option, replace the discontinued Product with a current product or like product. If Bestop opts to repair or replace your Product as set forth herein, Bestop shall use reasonable efforts to match any patch or replacement to the color and texture of your existing Product. There is no guarantee however, that Bestop will be able to match the color or texture. If Bestop is not able to match the color or texture, it may provide you with a black or neutral colored patch replacement in its discretion.

Please retain your proof of purchase. Original proof of purchase for the Product must accompany any warranty claim. If you have a warranty claim, first you must email Bestop Customer Service at csbestop@bestop.com for instructions. All claims must be emailed to csbestop@bestop.com within 30 days of discovery of a defective Product, but in no event later than thirty days after the end of the applicable Warranty Period (the “Warranty Notice Period”). Warranty claims made after the Warranty Notice Period are null and void and Bestop shall have no responsibility with respect to such claims.

THIS SECTION SETS FORTH BESTOP’S SOLE OBLIGATION & YOUR SOLE REMEDY WITH RESPECT TO ANY DEFECTS OR OTHER PRODUCT ISSUE. ANY PRODUCTS REPLACED UNDER TERMS OF THIS WARRANTY WILL BE COVERED UNDER TERMS & BALANCE OF THE DURATION OF THE ORIGINAL LIMITED WARRANTY FOR SUCH PRODUCT.



Warranty Information

Vehicle Application:
Jeep® JT Gladiator 2020- Current
Part Number 44972

COVERED PRODUCTS AND WARRANTY PERIODS: The warranty time periods are as follows for Products manufactured by Bestop:

BESTOP® LIMITED LIFETIME WARRANTY

® Pro Twill Fabric Top Sunrider® for Hardtop Twill Fabric Top
Trektop® NX Glide Twill Fabric Top Replace-a-Top™ Twill Fabric Top
Trektop® NX Twill Fabric Top Supertop® NX Twill Fabric Top
EZFold™ Soft Tonneaus Floor & Cargo Liners
ZipRail™ Soft Tonneaus Pet Barriers
EZRoll™ Soft Tonneaus

BESTOP® 5-YEAR LIMITED WARRANTY

Trektop® NX Glide™ Top (non-Twill) Sunrider® for Hardtop (non-Twill) Replace-a-Top™ Top (non-Twill) Trektop® NX Top (non-Twill)
Sailcloth Replace-a-Top™ Supertop® NX Top (non-Twill)
Tigertop™ and Halftop™ Sunrider® Complete Soft Top Supertop® for Truck
EZ Fold Hard Tonneau

BESTOP® 3-YEAR/100K MILES LIMITED WARRANTY

Powerboard® & Powerboard® NX
Trekstep®, Side Mount
Trekstep®, Rear Mount

BESTOP® 3-YEAR LIMITED WARRANTY

Pavement Ends Sprint Top

BESTOP® 2-YEAR LIMITED WARRANTY

Trektop® Classic Soft Top
RoughRider™ Soft Storage

BESTOP® 1-YEAR LIMITED WARRANTY

All other Bestop® & Pavement Ends™ products not specified above.

For further information or request for warranty work, please contact:

Bestop Inc. Customer Service

Toll-Free: (800)845-3567

E-mail: csbestop@Bestop.com

Website: www.Bestop.com