

banks

with Installation Instructions
Owner's Manual

Banks Monster[®] Exhaust System

**2011-2013 Jetta TDI/Jetta TDI Sportswagen
2.0L Clean Diesel**

THIS MANUAL IS FOR USE WITH SYSTEM 46181

Gale Banks Engineering
546 Duggan Avenue • Azusa, CA 91702
(626) 969-9600 • Fax (626) 334-1743

Product Information & Sales: (888) 635-4565
Customer Support: (888) 839-5600
Installation Support: (888) 839-2700

bankspower.com

banks

General Installation Practices

Dear Customer,

If you have any questions concerning the installation of your Banks Power System, please call our Technical Service Hotline at (888) 839-2700 between 7:00 am and 4:00 pm (PT). If you have any questions relating to shipping or billing, please contact our Customer Service Department at (888) 839-5600.

Thank you.

- 1.** Before starting work, familiarize yourself with the installation procedure by reading all of the instructions.
- 2.** The exploded view (**Figure 1**, pages 4-5) provides only general guidance. Refer to each step and section diagram in this manual for proper instruction.
- 3.** Throughout this manual, the left side of the vehicle refers to the driver's side, and the right side to the passenger's side.
- 4.** Disconnect the negative (ground) cable from the battery (or batteries, if there are two) before beginning work.
- 5.** Route and tie wires and hoses a minimum of 6" away from exhaust heat, moving parts, and sharp edges. Clearance of 8" or more is recommended where possible.
- 6.** When raising the vehicle, support it on properly weight-rated safety stands, ramps or a commercial hoist. Follow the manufacturer's safety precautions. Take care to balance the vehicle to prevent it from slipping or falling. When using ramps, be sure the front wheels are centered squarely on

the topsides. When raising the front of the vehicle, put the transmission in park (automatic) or reverse (manual), set the parking brake, and block the rear wheels. When raising the back of the vehicle, be sure the vehicle is on level ground and the front wheels are blocked securely.

CAUTION! Do not use floor jacks to support the vehicle while working under it. Do not raise the vehicle onto concrete blocks, masonry or any other item not intended specifically for this use.

7. During installation, keep the work area clean. Do not allow anything to be dropped into intake, exhaust, or lubrication system components while performing the installation, as foreign objects will cause immediate engine damage upon start-up.

Tools Required:

- 1/2" and 3/8" drive ratchets with inch and metric sockets and 1/2" and 3/8" drive extension
- Inch and metric combination or open-end wrenches
- Standard screwdriver
- Clean shop towels or rags
- Pry-bar
- Reciprocating saw

Highly recommended tools and supplies:

- Foot-pound torque wrenches
- Penetrating oil or light lubricant spray
- Oxy-acetylene torch

Products available from Banks Power for the 2011-2013 VW Jetta TDI



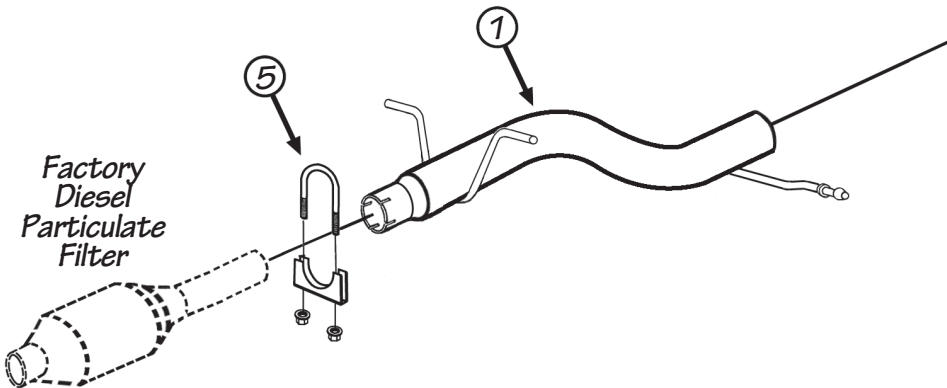
**Monster[®]
Exhaust**

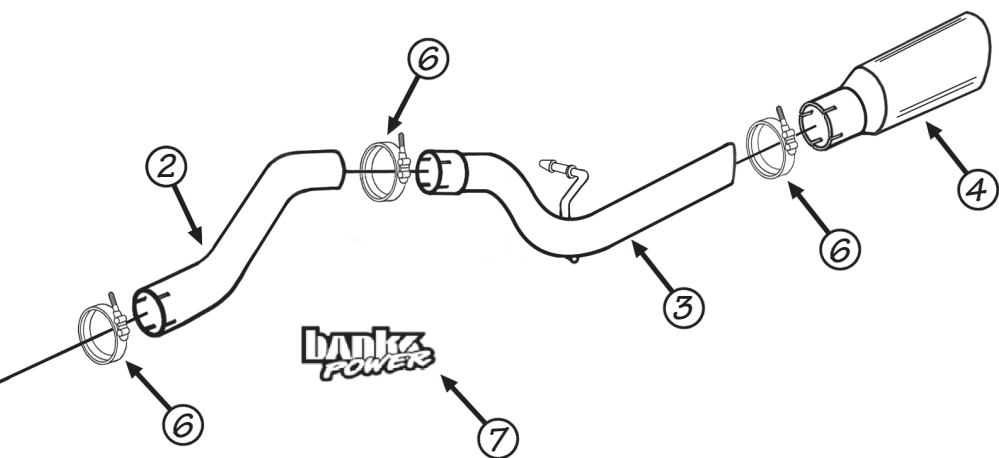


Figure 1

General Assembly Diagram

Item	Description	P/N	Qty.
1	Intermediate Pipe	52868	1
2	Tailpipe, Front	53867	1
3	Tailpipe, Rear	53868	1
4	Tip, Tailpipe	52708	1
5	Exhaust Clamp, 2 1/4"	52459	1
6	Exhaust Band Clamp, 3"	52466	3
7	Urocal, Bank Power	96009	2





Monster Exhaust System Installation

1. As a precaution, disconnect the ground of the battery (if there is more than one battery, disconnect both).
2. Raise the vehicle and support it with properly weight rated safety stands, ramps or a commercial hoist. Follow the manufacturer's safety precautions. Take care to balance the vehicle to prevent it from slipping or falling. When using ramps, be sure the front wheels are centered squarely on the topsides; place the transmission in park; set the parking brake and place blocks behind the rear wheels.

CAUTION: DO NOT WORK UNDER ANY VEHICLE SUPPORTED ONLY BY A JACK. SEVERE INJURY MAY RESULT.

WARNING! The following step may require the use of a torch and/or saw. Proper safety equipment should be used. Failure to use proper safety equipment may result in severe injury.

3. Starting at the rear of the vehicle, remove the tailpipe near the intermediate pipe clamps by cutting through the connection or by removing the clamps and heating the joints with an oxy-acetylene torch to allow crimped pipes to separate. Remove the tailpipe from the vehicle.
4. Remove the clamps holding the intermediate pipe to the Diesel Particulate Filter.

CAUTION: DO NOT CUT OR DAMAGE DIESEL PARTICULATE FILTER TUBING DURING THE REMOVAL PROCESS.

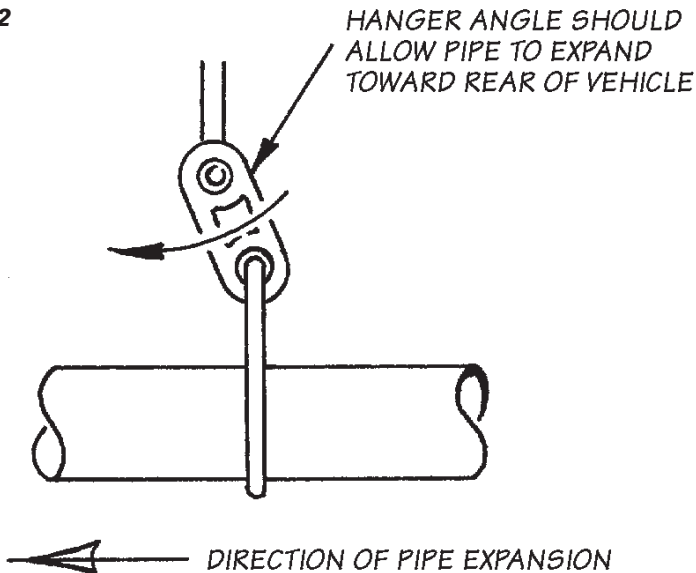
Separate the intermediate pipe from the Diesel Particulate Filter.

NOTE: The use of an oxy-acetylene torch may be necessary. Remove the intermediate pipe hanger pins from the rubber hangers with a pry bar (Spray lubricant will ease hanger

removal) and remove the intermediate pipe assembly from the vehicle.

5. Install the 2 $\frac{1}{4}$ " exhaust clamp onto the front of the Banks intermediate pipe. Install the intermediate pipe onto the Diesel Particulate Filter outlet. Loosely snug the 2 $\frac{1}{4}$ " clamp. Insert the (2) hanger pins on the front intermediate pipe into the factory rubber hangers. Insert the rear intermediate pipe hanger pin into the factory rubber hanger.
6. Slide a supplied 3" exhaust band clamp onto the Front tailpipe inlet.
7. Route the Front Tailpipe over the rear axle housing. Install the Front Tailpipe onto the Banks Intermediate pipe outlet. Align the clocking tab notch on the Front tailpipe onto the intermediate pipe clocking tab. Slide the exhaust band clamp over the joining connection and loosely snug the 3" exhaust band clamp.
8. Install a 3" exhaust band clamp at the inlet of the Rear Tailpipe.
9. Install the rear tailpipe onto the front tailpipe. Align the clocking tab notch on the Rear tailpipe onto the front tailpipe clocking tab. Start the tailpipe hanger pin into the corresponding vehicle rubber hanger. Position the rubber hanger as shown in **Figure 2**. Slide the exhaust band clamp over the joining connection and loosely snug the 3" exhaust band clamp.
9. Install the supplied Tailpipe Tip using the supplied 3" exhaust band clamp onto the rear tailpipe. Adjust the Tailpipe Tip under the rear fender such that the tip position is aesthetically pleasing.
10. With everything positioned properly, begin to tighten the clamps starting with the ones closest to the front of the vehicle and working your

Figure 2



way back. Evenly torque the exhaust clamps to 35 ft-lbs. Make sure that each slip is fully inserted (+/- 1/4 inch).

11. Remove the protective covering from the tailpipe tip.

CAUTION: THE PROTECTIVE COVERING MAY IGNITE AND BURN IF NOT REMOVED PRIOR TO

RUNNING THE ENGINE.

12. Your system includes two "Banks Power" logos. Position the logos for a clean factory look.

13. Re-connect battery terminals if previously removed. Banks Monster Exhaust installation is now complete.

Gale Banks Engineering
546 Duggan Avenue • Azusa, CA 91702
(626) 969-9600 • Fax (626) 334-1743

Product Information & Sales: (888) 635-4565
Customer Support: (888) 839-5600
Installation Support: (888) 839-2700

bankpower.com