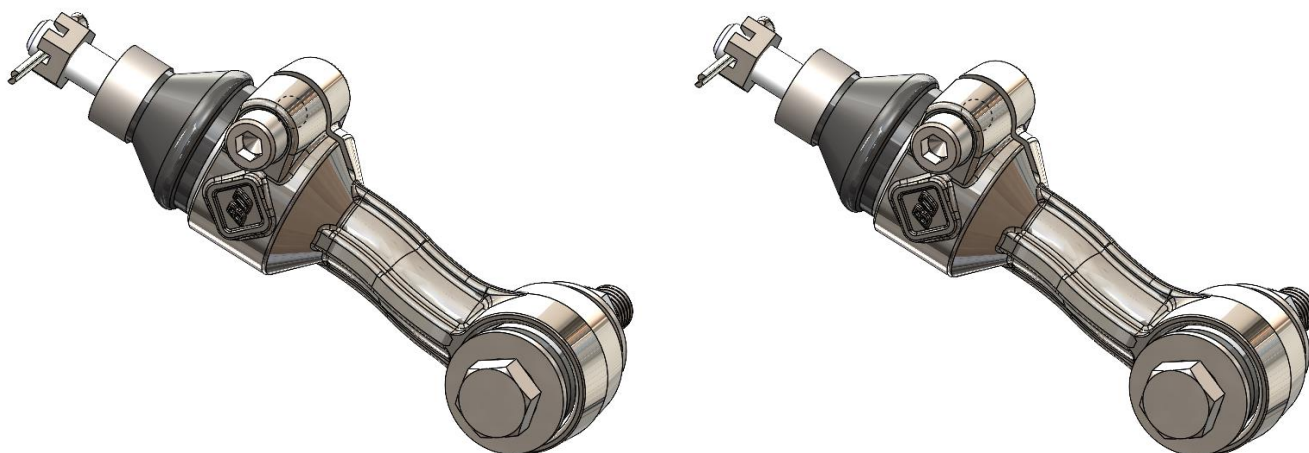




***DOWNLOAD COLOUR  
INSTALL MANUALS AT  
[www.bddiesel.com](http://www.bddiesel.com)***



# Sway Bar End Links

Front End Links for RAM 2500/3500 2WD/4WD  
**Installation Instructions**

**1032052**

2013-2022 RAM 3500  
2014-2022 RAM 2500


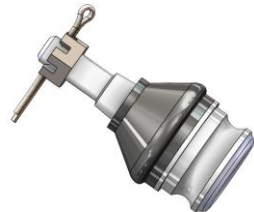

NOTE: ALSO FITS POWER WAGON




**PLEASE READ ALL INSTRUCTIONS BEFORE INSTALLATION**

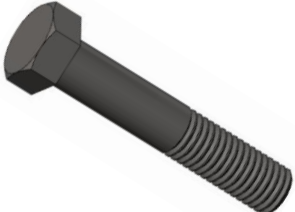


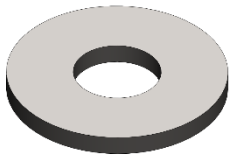
## Tools Required

- PRESS OR VISE
- 19, 22 mm SOCKET AND WRENCH
- TORQUE WRENCH
- 19, 22 mm WRENCH
- 8mm ALLEN WRENCH/SOCKET
- IMPACT GUN

## Kit Contents

1302067	1302073	FT-0142073
		
<i>FORGED LINK</i>	<i>BALL JOINT</i>	<i>M10-40mm BOLT</i>
<b>Qty: 2</b>	<b>Qty: 2</b>	<b>Qty: 2</b>

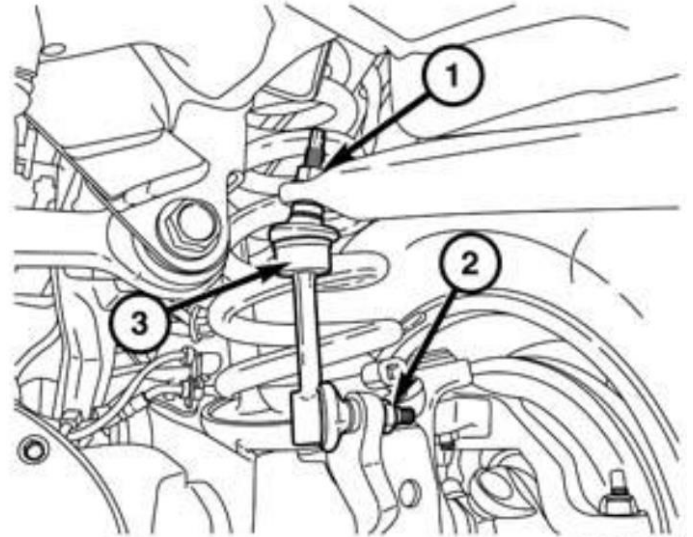
1312066	1312067	9.11109
		
<i>Poly Urthane Bushing</i>	<i>Sleeve End link</i>	<i>Grease</i>
<b>Qty: 2</b>	<b>Qty: 2</b>	<b>Qty: 1</b>

FT-11113737	FT-11634738	1302068	1312065
			
<i>M14-2.0 80mm BOLT</i>	<i>M14-2.0 NUT</i>	<i>TAPERED SPACER</i>	<i>9/16" WASHER</i>
<b>Qty: 2</b>	<b>Qty: 2</b>	<b>Qty: 2</b>	<b>Qty: 4</b>

## Procedure

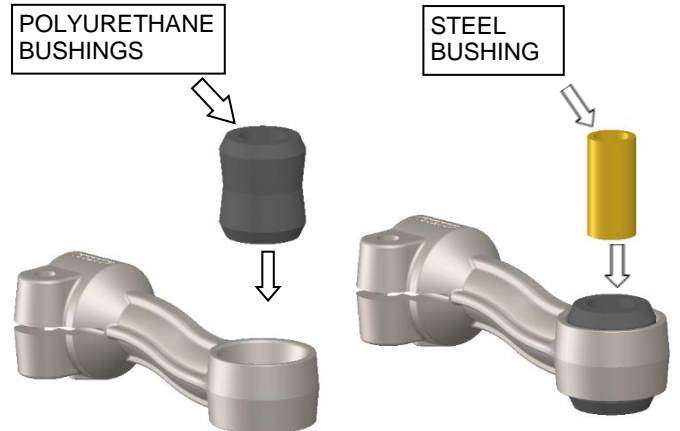
1. Block wheels to prevent the vehicle from rolling. Lift and support the front axle and remove the front wheels.

2. Remove stock driver/passenger sway bar end links (3). Use a 19mm socket on the sway bar side (1) and a 22mm socket on the axle side (2).



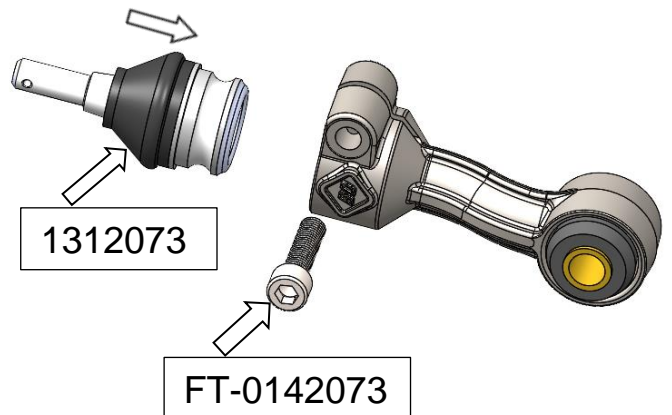
3. Lubricate one polyurethane bushing (1312066) with the supplied lubricant (9.11109) and press into the forged link (1302067) using an arbor press or vise. Then insert steel bushings (1302067) into the assembly.

***\*IMPORTANT\****-Complete steps 3 & 4 for both cast links.



4. Install sway bar end link ball joint assembly (1302073) into the forged link (1302067) with the supplied socket head cap screw (FT-0142073) as shown.

Torque the bolt **32-36 ft-lb** (use an 8mm Allen wrench or Allen socket).



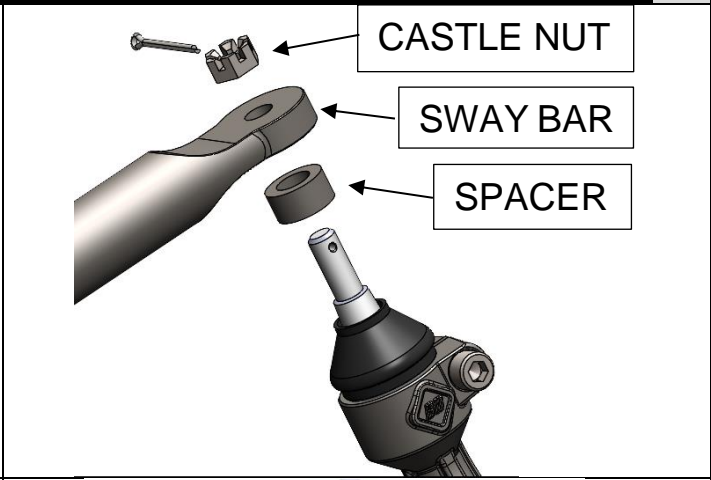
**Complete steps 5-8 for the driver's side and Passenger side**

5. Slide the tapered spacer (1302068) onto the sway bar ball joint (1302073)

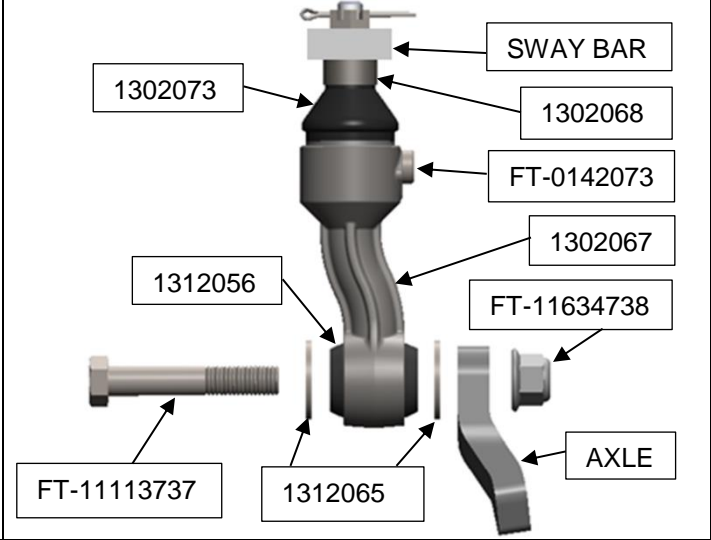
**Note** Orient the larger taper downwards.

Install ball joint stud into sway bar and install the castle nut tighten finger tight.

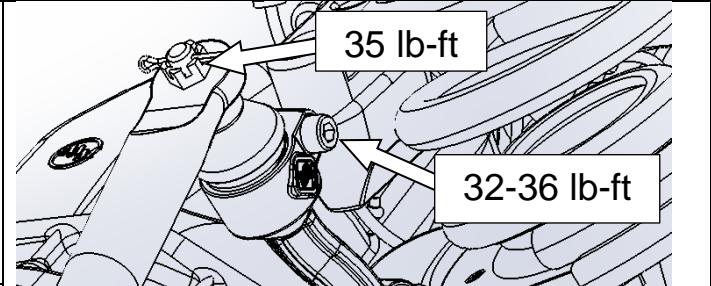
**Note** The castle nut flat side should be against the sway bar.



6. Assemble the end link assembly using the two supplied washers and bolt. Then slide the assembly into the axle mount and secure into position using the supplied flange nylock nut and tighten finger tight.

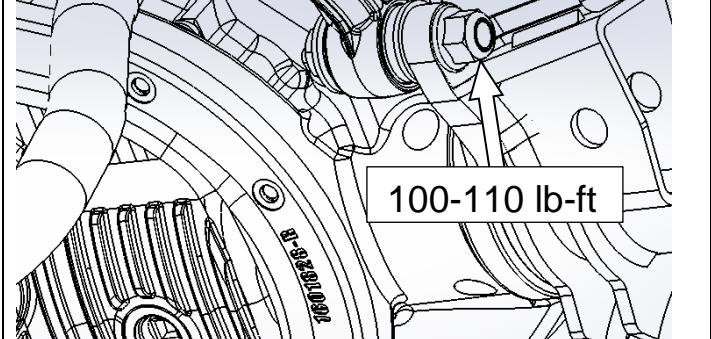


7. Torque the top castle nut to **35 ft-lb** (19mm socket) then tighten until the cotter pin hole aligns with the next available slot in the nut and insert the cotter pin. Bend the cotter pin around the nut to prevent it from coming out.



8. Tighten axle mount bolt to **100-110 lb-ft** (22mm socket).

**Note** Retorque castle nut after 1000 Kilometers (600 miles)



9. Reinstall front wheels and torque to manufacturer recommendations. Road test vehicle and recheck connections.